



# STNC

## STNC PNEUMATIC

In order to make sure our products are the best in the market. We keep the right to update the product information any time when necessary. And we don't inform.



## I Air source treatment

1. T Series Air Source Treatment	1-16
2. Auto Drain Valve	17
3. Precision Valve	18
4. Large filters, large valve	19
5. Pressure gauge	20
6. G Series Air Source Treatment	21-24
7. High Pressure Air Source Treatment	25-28
8. L Series Air Source Treatment	29-37
9. Others	38-40

## II Pneumatic control elements

1. F Series Solenoid Valve	41-62
2. T Series Solenoid Valve	63-74
3. High Frequency Valve	75-76
4. 97100 32 Valve 和 TGV Diaphragm Solenoid Valve	77-78
5. YH Series High Pressure Valve	79-80
6. Hand Valve	81-85
7. Turn Valve	86-89
8. Hand Valve/Mechanical Valve	90-94
9. Foot Valve/One-way throttle valve	95-98
10. Other Valve & Oscillator	99-106
11. 2/2 Way Solenoid Valve	107-116
12. ZF Series Angel-seat Valve & Pressure Controller	117-120
13. PK series & TF series Valve	121-122
14. Pulse Valve	123-126
15. Other Valve	127-130

## III Pneumatic Act Elements

1. ISO15552 Standard Cylinder TGD series	131-134
2. Standard Cylinder TGI series	135-140
TGC series	141-149
TGU series	150-156
3. Special Cylinder TGF Door pump cylinder	157-158
4. TGC series large Cylinder	159-160



## III Pneumatic Act Elements

5. Mini Cylinder ISO6432 TGL series	161-166
TGA series	167-175
TGM series	176-184
6. Needle cylinder (single action) CJP series	185
7. THZ series Multi-cylinder assembly	186
8. Thin Cylinder CO2 series	187-192
TGN series	193-208
9. Compact cylinder ISO21287 ACP series	209-210
10. Free Fixed Cylinder CU series	211-215
CUL series	216-218
11. Double Cylinder Type CXS series	219-221
12. Piston Through Double Cylinder Type CXSW series	222-225
13. New Type Cylinder With Rod MGP series	226-229
14. Air Gripper MH/MHL2/MHT2/MHY2	230-244
15. MSQ Series rack rotary Cylinder swing	245-248
16. TMN Series clamping Cylinder	249
17. RSQ Series Cylinder	250-254
18. TGH Series Cylinder	255-256
19. Hydraulic Buffers	257-262
20. Pressure-Adding Cylinder TGZ series	263-264
21. Cylinder Accessories	265-274
22. Magnetic sensor switch	275-284

## IV Pneumatic Assistant Elements

1. Fitting	285-305
2. Air Gun/Silencer	306
3. Air Tube	307-308

## V Air Press Punch

1. TR Series Punch	309-310
2. TF Series Strength Enhanced Punch	311
3. TZ Series Pressure Enhanced Punch	312



## TC Series Treatment Triplet

### ● Air Source Treatment

It is in standard modular design and can be freely separated and combined. The product is in reasonable design, simple to operate, easy to assemble and unassemble. It can meet all requirements of pneumatic system.

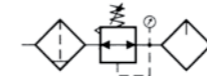


● TC2000-02 ● TC2000-02U ● TC4000-04

### ● Ordering Code

TC	2000	02	U
Series	Type	Pipe Size	Iron Shell
	1000	M5	No Mark :
	2000	01 : G1/8	2000 No Iron Shell
	3000	02 : G1/4	3000 ~ 5000 With Iron Shell
	4000	03 : G3/8	U:2000 With Iron Shell
	5000	04 : G1/2	M: Metal cup
		06 : G3/4	
		10 : G1	

### ■ Graphics Sign



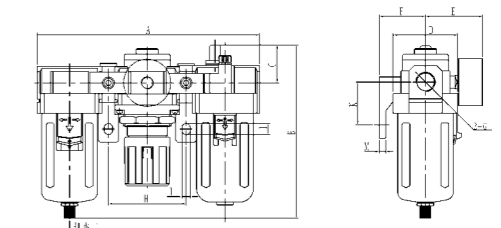
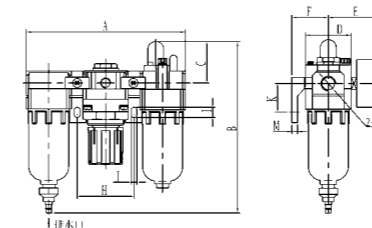
### ■ Technical Parameter

Specification	TC1000-M5	TC2000-02/01	TC3000-03/02	TC4000-04/03	TC4000-06	TC5000-10/06	
Applicable Medium	Air						
Rating Flow(L/min)	90	500	2000	4000	4500	6000	
Filtration	5 μm ~ 40 μm						
Applicable Pressure Range	0.05 ~ 0.7MPa		0.05 ~ 1MPa				
Medium Temperature	0 ~ 60°C						
Recommended Lubricating Oil	ISOVG32 or Equivalent						
Type of Valve	Relief Type						
Gauge Port Size	G1/16	G1/8		G1/4			
Components	Air Filter	TF1000-M5	TF2000-02/01	TF3000-03/02	TF4000-04/03	TF4000-06	TF5000-10/06
	Air Regulator	TR1000-M5	TR2000-02/01	TR3000-03/02	TR4000-04/03	TR4000-06	TR5000-10/06
	Air Lubricator	TL1000-M5	TL2000-02/01	TL3000-03/02	TL4000-04/03	TL4000-06	TL5000-10/06

### ■ Figure Dimension

● TC1000-M5  
TC2000-02/01

● TC3000-03/02 TC4000-04/03  
TC4000-06 TC5000-10/06



Type	A	B	C	D	E	F	G	H	I	J	K	M
TC1000-M5	92	87	25	25	26	25	M5	32	7.5	4.5	20	5
TC2000-02/01	140	151	38	40	50	30	G1/4	50	8.5	5.5	24	5
TC3000-03/02	181	166	30	53	56	41	G3/8	64	11	7	35	7
TC4000-04/03	238	187	41	70	62	50	G1/2	84	13	9	46	7
TC4000-06	255	187	37	76	70	50	G3/4	84	13	9	52	7
TC5000-10/06	300	267	43	90	71.5	70	G1	105	17	9	47	10

### TC Series Treatment Triplet

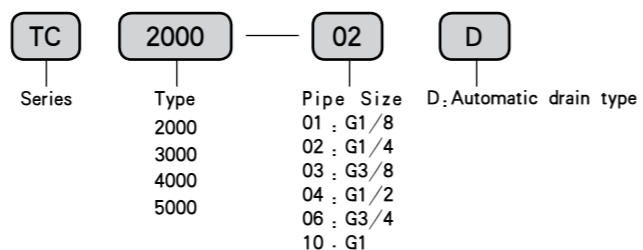


● TC2000-02D ● TC3000-03D ● TC4000-04D

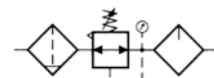
#### ● Air Source Treatment

标准的自动排水设计，结构紧凑、安装方便；不需人工操作，自动清除杯内的水，方便使用。

#### ● Ordering Code



#### ■ Graphics Sign



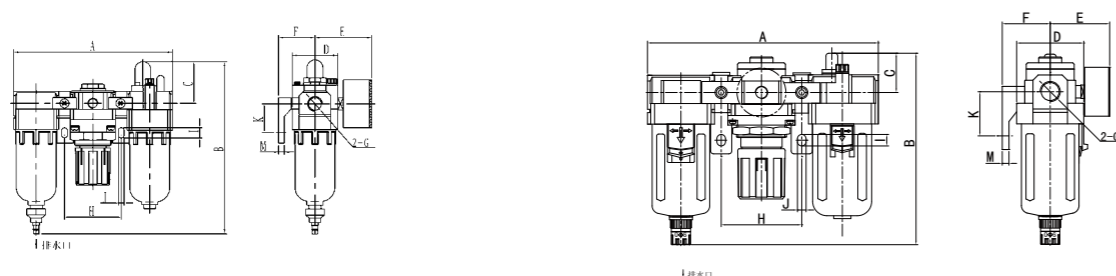
#### ■ Technical Parameter

Specification	TC2000-02D/01D	TC3000-03D/02D	TC4000-04D/03D	TC4000-06D	TC5000-10D/06D	
Applicable Medium	Air					
Rating Flow(L/min)	500	2000	4000	4500	6000	
Filtration	5 μm ~ 40 μm					
Applicable Pressure Range	0.05 ~ 1MPa					
Medium Temperature	0 ~ 60°C					
Recommended Lubricating Oil	ISOVG32 or Equivalent					
Type of Valve	Relief Type					
Gauge Port Size	G1/8		G1/4			
Components	Air Filter	TF2000-02D/01D	TF3000-03D/02D	TF4000-04D/03D	TF4000-06D	TF5000-10D/06D
	Air Regulator	TR2000-02D/01D	TR3000-03D/02D	TR4000-04D/03D	TR4000-06D	TR5000-10D/06D
	Air Lubricator	TL2000-02D/01D	TL3000-03D/02D	TL4000-04D/03D	TL4000-06D	TL5000-10D/06D

#### ■ Figure Dimension

● TC2000-02D/01D

● TC3000-03D/02D TC4000-04D/03D  
TC4000-06D TC5000-10D/06D



Type	A	B	C	D	E	F	G	H	I	J	K	M
TC2000-02D/01D	140	170	38	40	50	30	G1/4	50	8.5	5.5	24	5
TC3000-03D/02D	181	188	30	53	56	41	G3/8	64	11	7	35	7
TC4000-04D/03D	238	207	41	70	62	50	G1/2	84	13	9	46	7
TC4000-06D	255	210	37	76	70	50	G3/4	84	13	9	52	7
TC5000-10D/06D	300	302	43	90	71.5	70	G1	105	17	9	47	10

### TC Series Treatment Triplet

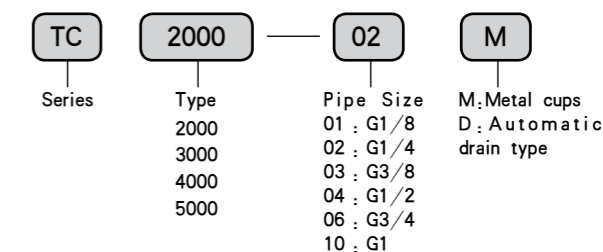


● TC2000-02M ● TC3000-03M ● TC4000-06M  
● TC2000-02DM ● TC3000-03DM ● TC4000-06DM

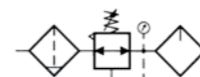
#### ● Character

Metal cup is of metal material die-casting forming. It's reliable, durable ability and anti-explosion. Besides, it has long use life and safe use.

#### ● Ordering Code



#### ■ Graphics Sign



#### ■ Technical Parameter

Specification	TC2000-02M/02DM/01M/01DM	TC3000-03M/03DM/02M/02DM	TC4000-04M/04DM/03M/03DM	TC4000-06M/06DM	TC5000-10M/10DM/06M/06DM	
Applicable Medium	Air					
Rating Flow(L/min)	500	2000	4000	4500	6000	
Filtration	5 μm ~ 40 μm					
Applicable Pressure Range	0.05 ~ 1MPa					
Medium Temperature	0 ~ 60°C					
Recommended Lubricating Oil	ISOVG32 or Equivalent					
Type of Valve	Relief Type					
Gauge Port Size	G1/8		G1/4			
Components	Air Filter	TF2000-02M/02DM/01M/01DM	TF3000-03M/03DM/02M/02DM	TF4000-04M/04DM/03M/03DM	TF4000-06M/06DM	TF5000-10M/10DM/06M/06DM
	Air Regulator	TR2000-02M/02DM/01M/01DM	TR3000-03M/03DM/02M/02DM	TR4000-04M/04DM/03M/03DM	TR4000-06M/06DM	TR5000-10M/10DM/06M/06DM
	Air Lubricator	TL2000-02M/02DM/01M/01DM	TL3000-03M/03DM/02M/02DM	TL4000-04M/04DM/03M/03DM	TL4000-06M/06DM	TL5000-10M/10DM/06M/06DM

#### ■ Figure Dimension

● TC2000-02M/01M

● TC3000-03M/02M TC4000-04M/03M  
TC4000-06M TC5000-10M/06M



Type	A	B	C	D	E	F	G	H	I	J	K	M	自动排水
TC2000-02M/02DM/01M/01DM	140	170	38	40	50	30	G1/4	50	8.5	5.5	24	5	170
TC3000-03M/03DM/02M/02DM	181	173	30	53	56	41	G3/8	64	11	7	35	7	188
TC4000-04M/04DM/03M/03DM	238	195	41	70	62	50	G1/2	84	13	9	46	7	207
TC4000-06M/06DM	255	195	37	76	70	50	G3/4	84	13	9	52	7	210
TC5000-10M/10DM/06M/06DM	300	287	43	90	71.5	70	G1	105	17	9	47	10	302

### TC 系列二联件 – 基本型



● TC2010-02 ● TC2010-02U ● TC4010-04

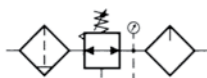
#### ● Character

标准的模块化设计，能任意分解、组合，产品设计合理、使用方便、横向空间小，能满足气动系统不同的要求。

#### ● Ordering Code

TC	2010	02	U
Series	Type	Pipe Size	Iron Shell
	1010	M5	No Mark :
	2010	01 : G1/8	2010 No Iron Shell
	3010	02 : G1/4	3010 ~ 5010 With Iron Shell
	4010	03 : G3/8	U:2010 With Iron Shell
	5010	04 : G1/2	
		06 : G3/4	
		10 : G1	

#### ■ Graphics Sign

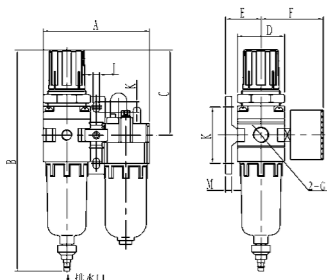


#### ■ Technical Parameter

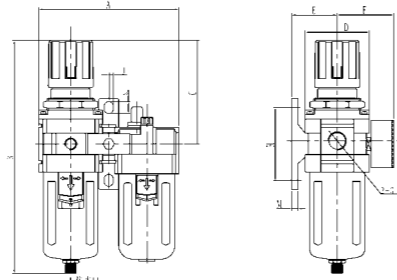
Specification	TC1010-M5	TC2010-02/01	TC3010-03/02	TC4010-04/03	TC4010-06	TC5010-10/06
Applicable Medium	Air					
Rating Flow(L/min)	90	500	1700	3000	3000	4000
Filtration	5 μm ~ 40 μm					
Applicable Pressure Range	0.05 ~ 0.7MPa		0.05 ~ 1MPa			
Medium Temperature	0 ~ 60°C					
Recommended Lubricating Oil	ISOVG32 or Equivalent					
Type of Valve	Relief Type					
Gauge Port Size	G1/16	G1/8		G1/4		
Components	Filter Regulator	TW1000-M5	TW2000-02/01	TW3000-03/02	TW4000-04/03	TW5000-10/06
	Air Lubricator	TL1000-M5	TL2000-02/01	TL3000-03/02	TL4000-04/03	TL5000-10/06

#### ■ Figure Dimension

● TC1010-M5  
TC2010-02/01



● TC3010-03/02 TC4010-04/03  
TC4010-06 TC5010-10/06



Type	A	B	C	D	E	F	G	H	K	J	M
TC1010-M5	58	115	50	25	25	26	M5	40	7.5	4.5	5
TC2010-02/01	90	188	72.5	40	30	53	G1/4	48	9	5.5	6
TC3010-03/02	117	216	89	53	41	56	G3/8	70	13	7	7
TC4010-04/03	154	256	114	70	50	62	G1/2	80	11	9	7
TC4010-06	164	256	114	70	54	62	G3/4	80	13	10	7
TC5010-10/06	195	337	118	90	74.5	72	G1	103	17	13	10

### TC 系列二联件 – 自动排水型



● TC2010-02D ● TC3010-03D ● TC4010-04D

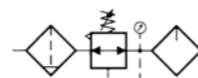
#### ● 特性

标准的自动排水设计，结构紧凑、安装方便；不需人工操作，自动清除杯内的水，方便使用。

#### ● Ordering Code

TC	2010	02	D
Series	Type	Pipe size	D: Automatic drain type
	2010	01 : G1/8	
	3010	02 : G1/4	
	4010	03 : G3/8	
	5010	04 : G1/2	
		06 : G3/4	
		10 : G1	

#### ■ Graphics Sign

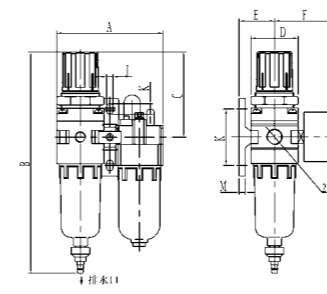


#### ■ Technical Parameter

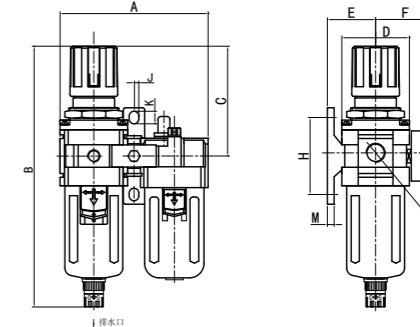
Specification	TC2010-02D/01D	TC3010-03D/02D	TC4010-04D/03D/06D	TC5010-10D/06D
Applicable Medium	Air			
Rating Flow(L/min)	500	1700	3000	4000
Filtration	5 μm ~ 40 μm			
Applicable Pressure Range	0.05 ~ 1MPa			
Medium Temperature	0 ~ 60°C			
Recommended Lubricating Oil	ISOVG32 or Equivalent			
Type of Valve	Relief Type			
Gauge Port Size	G1/8		G1/4	
Components	Filter Regulator	TW2000-02D/01D	TW3000-03D/02D	TW4000-04D/03D/06D
	Air Lubricator	TL2000-02D/01D	TL3000-03D/02D	TL4000-04D/03D/06D

#### ■ Figure Dimension

● TC2010-02D/01D



● TC3010-03D/02D TC4010-04D/03D  
TC4010-06D TC5010-10D/06D



Type	A	B	C	D	E	F	G	H	K	J	M
TC2010-02D/01D	90	205	72.5	40	30	53	G1/4	48	9	5.5	6
TC3010-03D/02D	117	241	89	53	41	56	G3/8	70	13	7	7
TC4010-04D/03D	154	292	114	70	50	62	G1/2	80	11	9	7
TC4010-06D	164	292	114	70	54	62	G3/4	80	13	10	7
TC5010-10D/06D	195	370	118	90	74.5	72	G1	103	17	13	10

### TC 系列二联件 - 金属杯子型



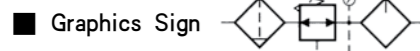
- TC2010-02M
- TC2010-02DM
- TC3010-03M
- TC3010-03DM
- TC4010-04M
- TC4010-04DM

#### ● Character

Metal cup is of metal material die-casting forming. It's reliable, durable ability and anti-explosion. Besides, it has long use life and safe use.

#### ● Ordering Code

TC	2010	02	M
Series	Type	Pipe size	M: Metal cups D: Automatic drain type
	1010	01: G1/8	
	2010	02: G1/4	
	3010	03: G3/8	
	4010	04: G1/2	
	5010	06: G3/4	
		10: G1	

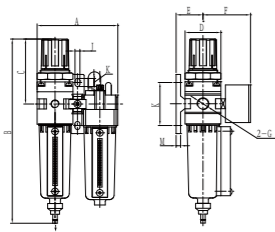


#### ■ Technical Parameter

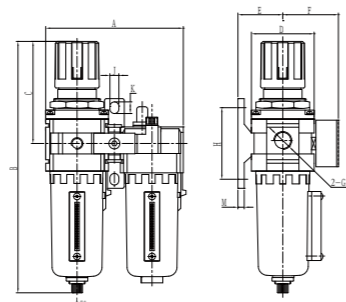
Specification	TC2010-02M/02DM/01M/01DM	TC3010-03M/03DM/02M/02DM	TC4010-04M/04DM/03M/03DM	TC4010-06M/06DM	TC5010-10M/10DM/06M/06DM
Applicable Medium	Air				
Rating Flow(L/min)	500	1700	3000	3000	4000
Filtration	5 μm ~ 40 μm				
Applicable Pressure Range	0.05 ~ 1MPa				
Medium Temperature	0 ~ 60°C				
Recommended Lubricating Oil	ISOVG32 or Equivalent				
Type of Valve	Relief Type				
Gauge Port Size	G1/8			G1/4	
Components	Filter Regulator	TW3000-03M/03DM/02M/02DM	TW4000-04M/04DM/03M/03DM	TW000-06M/06DM	TW5000-10M/10DM/06M/06DM
	Air Lubricator	TL3000-03M/03DM/02M/02DM	TL4000-04M/04DM/03M/03DM	TL4000-06M/06DM	TL5000-10M/10DM/06M/06DM

#### ■ Figure Dimension

- TC2010-02M/01M



- TC3010-03M/02M
- TC4010-06M
- TC4010-04M/03M
- TC5010-10M/06M



Type	A	B	C	D	E	F	G	H	K	J	M	Automatic drain type
												B
TC2010-02M/02DM/01M/01DM	90	205	72.5	40	30	53	G1/4	48	9	5.5	6	205
TC3010-03M/03DM/02M/02DM	117	226	89	53	41	56	G3/8	70	13	7	7	241
TC4010-04M/04DM/03M/03DM	154	277	114	70	50	62	G1/2	80	11	9	7	292
TC4010-06M/06DM	164	277	114	70	54	62	G3/4	80	13	10	7	292
TC5010-10M/10DM/06M/06DM	195	355	118	90	74.5	72	G1	103	17	13	10	370

### TW 系列过滤减压阀 - 基本型



- TW2000-02
- TW2000-02U
- TW4000-04

#### ● 特性

过滤、减压一体化设计，产品体积小、结构合理、节省安装空间，既能为气动系统提供清洁干燥的气源，又能保证气源的稳定压力。

#### ● Ordering Code

TW	2000	02	U
Series	Type	Pipe size	Iron Shell
	1000	M5	No Mark
	2000	01: G1/8	2000 No Iron Shell
	3000	02: G1/4	3000 ~ 5000 With Iron Shell
	4000	03: G3/8	U: 2000 With Iron Shell
	5000	04: G1/2	
		06: G3/4	
		10: G1	

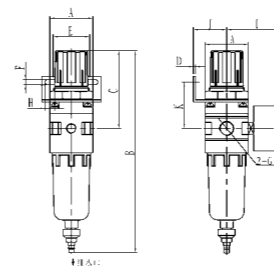


#### ■ Technical Parameter

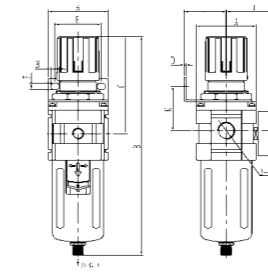
Specification	TW1000-M5	TW2000-02/01	TW3000-03/02	TW4000-04/03	TW4000-06	TW5000-10/06
Applicable Medium	Air					
Rating Flow(L/min)	100	550	2000	4000	4000	5000
Filtration	5 μm ~ 40 μm					
Applicable Pressure Range	0.05 ~ 0.7MPa		0.05 ~ 1MPa			
Medium Temperature	0 ~ 60°C					
Type of Valve	Relief Type					
Gauge Port Size	G1/16	G1/8			G1/4	

#### ■ Figure Dimension

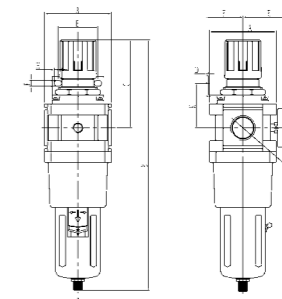
- TW1000-M5
- TW2000-02/01



- TW3000-03/02
- TW4000-04/03
- TW4000-06



- TW5000-10/06



Type	A	B	C	D	E	F	G	H	I	J	K	N
TW1000-M5	25	115	50	2.0	28	4.5	M5	6.5	26	25	30	20.5
TW2000-02/01	40	188	72.5	2.0	34	5.5	G1/4	15	53	31	43	41.5
TW3000-03/02	53	216	89	2.0	54	6.5	G3/8	8	56	48	50	42.5
TW4000-04/03	70	256	114	2.0	54	8.5	G1/2	10.5	62	50	52	52.5
TW4000-06	75	256	114	2.0	54	8.5	G3/4	10.5	62	50	52	52.5
TW5000-10/06	90	337	118	3.0	54	8.5	G1	11	78	60	60	52.5

TW2000-3000: 最大口径 1.5  
TW4000-5000: 最大口径 5

### TW 系列过滤减压阀 - 自动排水型

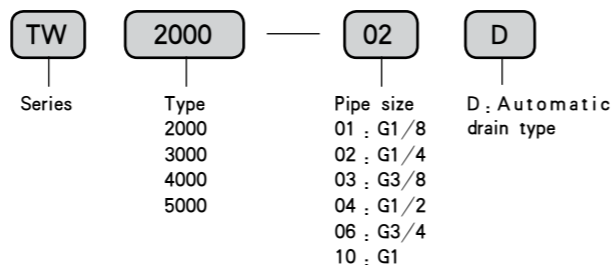


● TW2000-02D ● TW3000-03D ● TW4000-04D

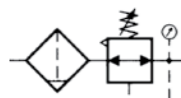
#### ● 特性

标准的自动排水设计，结构紧凑、安装方便；不需人工操作，自动清除杯内的水，方便使用。

#### ● Ordering Code



#### ■ Graphics Sign

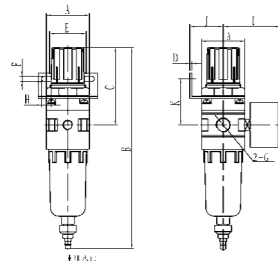


#### ■ Technical Parameter

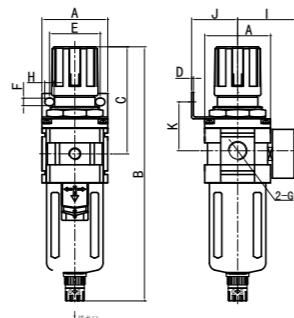
Specification	TW2000-02D/01D	TW3000-03D/02D	TW4000-04D/03D	TW4000-06D	TW5000-10D/06D
Applicable Medium	Air				
Rating Flow(L/min)	550	2000	4000	4000	5000
Filtration	5 μm ~ 40 μm				
Applicable Pressure Range	0.05 ~ 1MPa				
Medium Temperature	0 ~ 60°C				
Type of Valve	Relief Type				
Gauge Port Size	G1/8		G1/4		

#### ■ Figure Dimension

● TW2000-02D/01D



● TW3000-03D/02D TW4000-04D/03D TW4000-06D



TW2000-3000:最大厚度3.5  
TW4000-5000:最大厚度5

Type	A	B	C	D	E	F	G	H	I	J	K	N
TW2000-02D/01D	40	205	72.5	2.0	34	5.5	G1/4	15	53	31	43	41.5
TW3000-03D/02D	53	241	89	2.0	54	6.5	G3/8	8	56	48	50	42.5
TW4000-04D/03D	70	292	114	2.0	54	8.5	G1/2	10.5	62	50	52	52.5
TW4000-06D	75	292	114	2.0	54	8.5	G3/4	10.5	62	50	52	52.5
TW5000-10D/06D	90	370	118	3.0	54	8.5	G1	11	78	60	60	52.5

### TW 系列过滤减压阀 - 金属杯子型

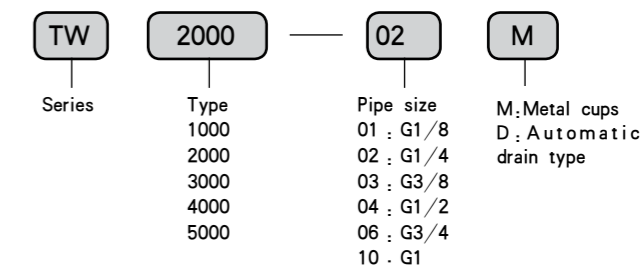


● TW2000-02M ● TW3000-03M ● TW4000-04M  
● TW2000-02DM ● TW3000-03DM ● TW4000-04DM

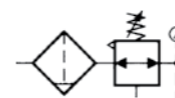
#### ● Character

Metal cup is of metal material die-casting forming. It's reliable, durable ability and anti-explosion. Besides, it has long use life and safe use.

#### ● Ordering Code



#### ■ Graphics Sign

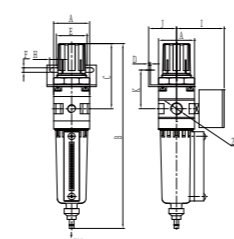


#### ■ Technical Parameter

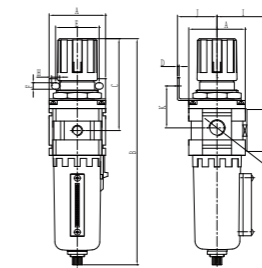
Specification	TW2000-02M/02DM/01M/01DM	TW3000-03M/03DM/02M/02DM	TW4000-04M/04DM/03M/03DM	TW4000-06M/06DM	TW5000-10M/10DM/06M/06DM
Applicable Medium	Air				
Rating Flow(L/min)	550	2000	4000	4000	5000
Filtration	5 μm ~ 40 μm				
Applicable Pressure Range	0.05 ~ 1MPa				
Medium Temperature	0 ~ 60°C				
Type of Valve	Relief Type				
Gauge Port Size	G1/8		G1/4		

#### ■ Figure Dimension

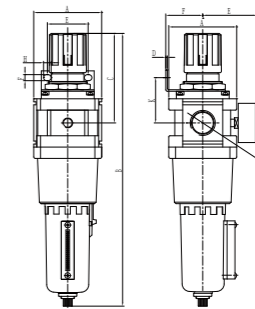
● TW2000-02M/01M



● TW3000-03M/02M TW4000-04M/03M TW4000-06M



● TW5000-10M/06M



TW2000-3000:最大厚度3.5  
TW4000-5000:最大厚度5

Type	A	B	C	D	E	F	G	H	I	J	K	N	自动排水 B
TW2000-02M/02DM/01M/01DM	40	205	72.5	2.0	34	5.5	G1/4	15	53	31	43	41.5	188
TW3000-03M/03DM/02M/02DM	53	276	89	2.0	54	6.5	G3/8	8	56	48	50	42.5	241
TW4000-04M/04DM/03M/03DM	70	277	114	2.0	54	8.5	G1/2	10.5	62	50	52	52.5	292
TW4000-06M/06DM	75	277	114	2.0	54	8.5	G3/4	10.5	62	50	52	52.5	292
TW5000-10M/10DM/06M/06DM	90	355	118	3.0	54	8.5	G1	11	78	60	60	52.5	370



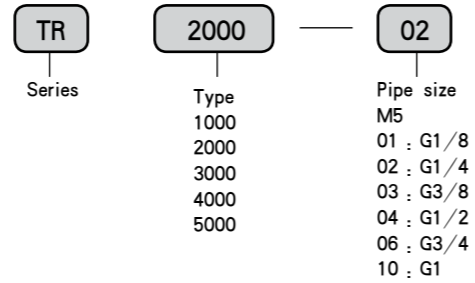
### TR Series Regulator



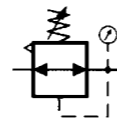
#### ● Air Regulator

It adopts balanced inlet with relief device. It has the advantages of stable pressure, high precision, quick reaction and firm lockup. It can be freely combined with other air-source treatment products.

#### ● Ordering Code



#### ■ Graphics Sign

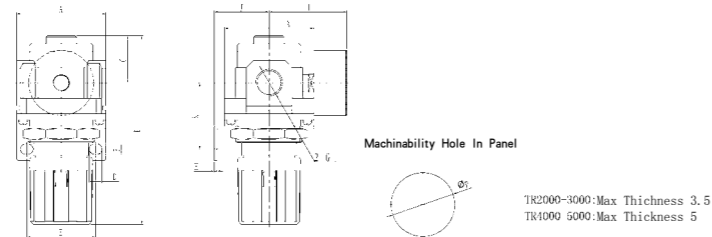


#### ■ Technical Parameter

Specification	TR1000-M5	TR2000-02/01	TR3000-03/02	TR4000-04/03	TR4000-06	TR5000-10/06
Applicable Medium	Air					
Rating Flow(L/min)	100	550	2500	6000	6000	8000
Applicable Pressure Range	0.05 ~ 0.7MPa		0.05 ~ 1MPa			
Medium Temperature	0 ~ 60°C					
Type of Valve	Relief Type					
Gauge Port Size	G1/16	G1/8		G1/4		

#### ■ Figure Dimension

- TR1000-M5
- TR2000-02/01
- TR3000-03/02
- TR4000-04/03
- TR4000-06
- TR5000-10/06



Type	A	B	C	D	E	F	G	H	I	J	K	P
TR1000-M5	25	61	11	6.5	28	4.5	M5	2	26	25	30	20.5
TR2000-02/01	40	91	17	15	34	5.5	G1/4	2.3	50	30	45	33.5
TR3000-03/02	53	122	35	8	40	6.5	G3/8	2.3	56	48	46	42.5
TR4000-04/03	70	148	37	10.5	54	8.5	G1/2	2.3	61	43	52	51
TR4000-06	76	182	37	10.5	54	8.5	G3/4	2.3	70	43	52	51
TR5000-10/06	90	165	45	11	54	11	G1	3.2	71.5	43	50	51

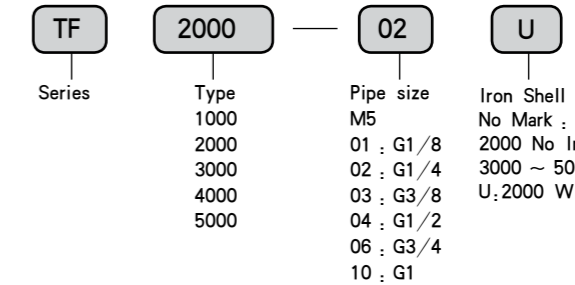
### TF Series Filter-Basic



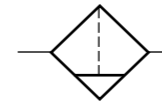
#### ● Character

It is mainly used for cleaning and effectively eliminates various impurities in the compressed air from compressors with automatic discharge structure, long service life, higher safety. There are multiple specifications for your choice.

#### ● Ordering Code



#### ■ Graphics Sign

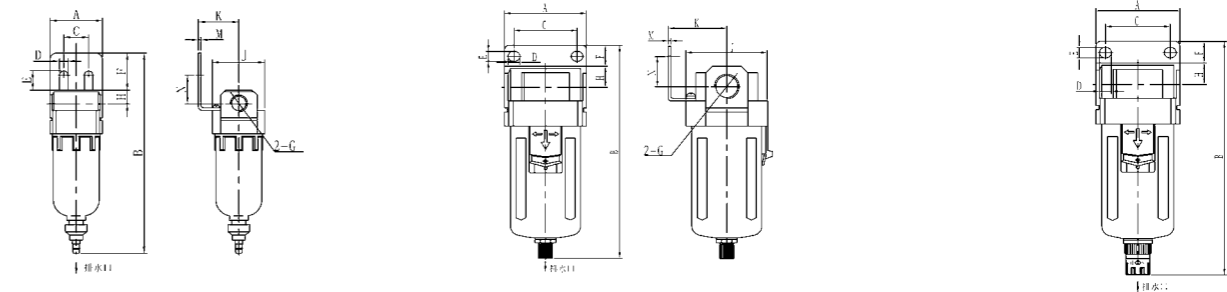


#### ■ Technical Parameter

Specification	TF1000-M5	TF2000-02/01	TF3000-03/02	TF4000-04/03	TF4000-06	TF5000-10/06
Applicable Medium	Air					
Rating Flow(L/min)	110	750	1500	4000	6000	7000
Filtration	5 μm ~ 40 μm					
Applicable Pressure Range	1.0MPa					
Medium Temperature	0 ~ 60°C					
Drain Holding Capacity	4cm <sup>3</sup>	15cm <sup>3</sup>	20cm <sup>3</sup>	45cm <sup>3</sup>		130cm <sup>3</sup>

#### ■ Figure Dimension

- TF1000-M5
- TF2000-02/01
- TF3000-03/02
- TF4000-06
- TF4000-04/03
- TF4000-10/06
- TF3000-03D/02D
- TF4000-06D
- TF4000-04D/03D
- TF4000-10D06D



Type	A	B	C	D	E	F	G	H	J	K	M	N
TF1000-M5	25	73	28	6.5	4.5	10	M5	7	27	25	2	14
TF2000-02/01	40	154	19	6.5	16.5	28	G1/4	11	40	30	2.3	22
TF3000-03/02	53	146	40	8	6.5	17	G3/8	14	53	41	2.3	23
TF4000-04/03	70	182	54	10	8.5	18	G1/2	18	70	50	2.3	26
TF4000-06	70	182	54	10	8.5	18	G3/4	18	70	50	2.3	30
TF5000-10/06	90	244	66	13	11	23	G1	22	90	65	3.2	38

### TF Series Filter—自动排水型

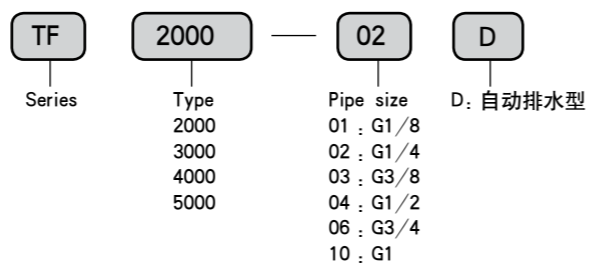


● TF2000-02D ● TF3000-03D ● TF4000-04D

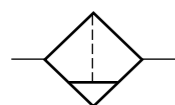
#### ● 特性

标准的自动排水设计，结构紧凑、安装方便；不需人工操作，自动清除杯内的水，方便使用。

#### ● Ordering Code



#### ■ Graphics Sign

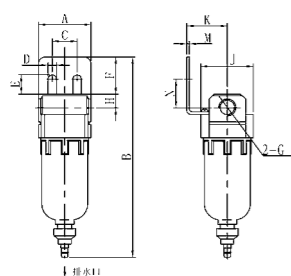


#### ■ Technical Parameter

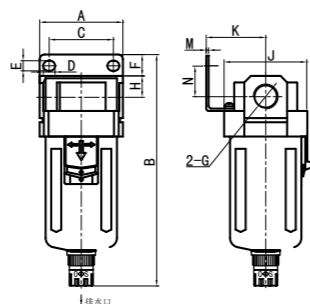
Specification	TF2000-02D/01D	TF3000-03D/02D	TF4000-04D/03D	TF4000-06D	TF5000-10D/06D
Applicable Medium	Air				
Rating Flow(L/min)	750	1500	4000	6000	7000
Filtration	5 μm ~ 40 μm				
Applicable Pressure Range	1.0MPa				
Medium Temperature	0 ~ 60°C				
Drain Holding Capacity	15cm <sup>3</sup>	20cm <sup>3</sup>	45cm <sup>3</sup>		130cm <sup>3</sup>

#### ■ Figure Dimension

● TF2000-02/01



● TF3000-03D/02D TF4000-04D/03D  
TF4000-06D TF4000-10D/06D



Type	A	B	C	D	E	F	G	H	J	K	M	N
TF2000-02D/01D	40	170	19	6.5	16.5	28	G1/4	11	40	30	2.3	22
TF3000-03D/02D	53	166	40	8	6.5	17	G3/8	14	53	41	2.3	23
TF4000-04D/03D	70	206	54	10	8.5	18	G1/2	18	70	50	2.3	26
TF4000-06D	70	206	54	10	8.5	18	G3/4	18	70	50	2.3	30
TF5000-10D/06D	90	280	66	13	11	23	G1	22	90	65	3.2	38

### TF Series Filter—金属杯子型

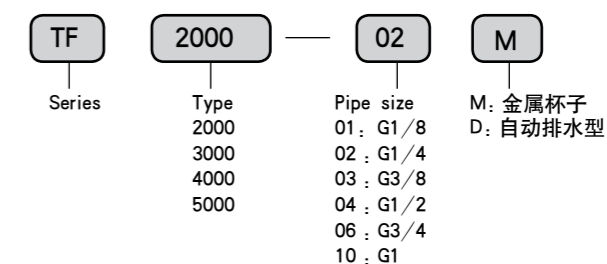


● TF2000-02M ● TF3000-03M ● TF4000-04M  
● TF2000-02DM ● TF3000-03DM ● TF4000-04DM

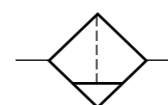
#### ● Character

Metal cup is of metal material die-casting forming. It's reliable, durable ability and anti-explosion. Besides, it has long use life and safe use.

#### ● Ordering Code



#### ■ Graphics Sign

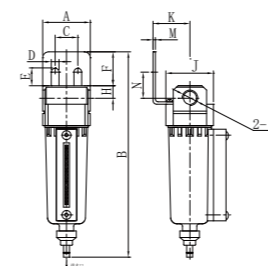


#### ■ Technical Parameter

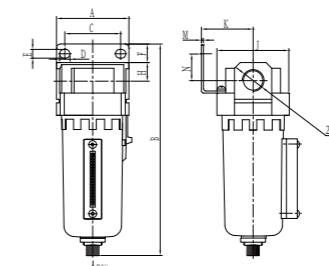
Specification	TF2000-02M/02DM/01M/01DM	TF3000-03M/03DM/02M/02DM	TF4000-04M/04DM/03M/03DM	TF4000-06M/06DM	TF5000-10M/10DM/06M/06DM
Applicable Medium	Air				
Rating Flow(L/min)	750	1500	4000	6000	7000
Filtration	5 μm ~ 40 μm				
Applicable Pressure Range	1.0MPa				
Medium Temperature	0 ~ 60°C				
Drain Holding Capacity	15cm <sup>3</sup>	20cm <sup>3</sup>	45cm <sup>3</sup>		130cm <sup>3</sup>

#### ■ Figure Dimension

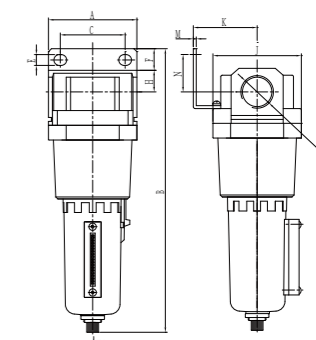
● TF2000-02M/01M



● TF3000-03M/02M  
TF4000-06M/04M/03M



● TF5000-10M/06M



Type	A	B	C	D	E	F	G	H	J	K	M	N	自动排水 B
TF2000-02M/02DM/01M/01DM	40	170	19	6.5	16.5	28	G1/4	11	40	30	2.3	22	153.5
TF3000-03M/03DM/02M/02DM	53	151	40	8	6.5	17	G3/8	14	53	41	2.3	23	166
TF4000-04M/04DM/03M/03DM	70	191	54	10	8.5	18	G1/2	18	70	50	2.3	26	206
TF4000-06M/06DM	70	191	54	10	8.5	18	G3/4	18	70	50	2.3	30	206
TF5000-10M/10DM/06M/06DM	90	265	66	13	11	23	G1	22	90	65	3.2	38	280

### TL Series Air Lubricator



● TL2000-02 ● TL2000-02U ● TL4000-04

#### ● Air Lubricator

It adopts balanced inlet with relief device. With the advantages of stable pressure, high precision, quick reaction and firm lockup, can be freely combined with other air-source treatment products.

#### ● Ordering Code

<b>TL</b>	<b>2000</b>	<b>02</b>	<b>U</b>
Series	Type	Pipe size	Iron Shell
	1000	M5	No Mark
	2000	01 : G1/8	2000 No Iron Shell
	3000	02 : G1/4	3000 ~ 5000 With Iron Shell
	4000	03 : G3/8	U:2000 With Iron Shell
	5000	04 : G1/2	
		06 : G3/4	
		10 : G1	

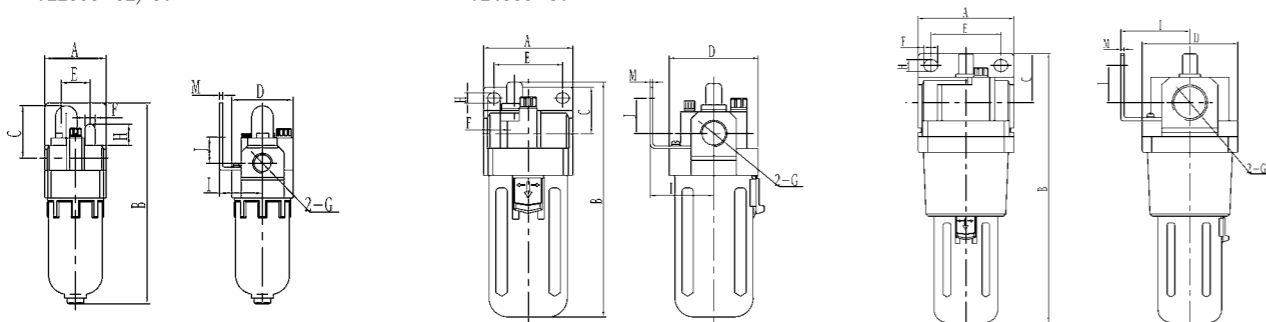


#### ■ Technical Parameter

Specification	TL1000-M5	TL2000-02/01	TL3000-03/02	TL4000-04/03	TL4000-06	TL5000-10/06
Applicable Medium	Air					
Rating Flow(L/min)	95	800	1700	5000	6300	7000
Work Pressure	0.05 ~ 1MPa					
Medium Temperature	0 ~ 60°C					
Recommended Lubricating Oil	ISOVG32 or Equivalent					
Min. Flow For Oil Drip	4L/min	15L/min	30L/min	50L/min	50L/min	190L/min
Lubricating Oil Capacity	4cm <sup>3</sup>	25cm <sup>3</sup>	50cm <sup>3</sup>	130cm <sup>3</sup>		

#### ■ Figure Dimension

● TL1000-M5 TL2000-02/01 ● TL3000-03/02 TL4000-04/03 TL4000-06 ● TL5000-10/06



Type	A	B	C	D	E	F	G	H	I	J	M
TL1000-M5	25	87	14	27	28	6.5	M5	4.5	25	14	2
TL2000-02/01	40	131	34	40	19	6.5	G1/4	16	40	17	2.3
TL3000-03/02	53	146	30	53	40	8	G3/8	6.5	56	23	2.3
TL4000-04/03	70	180	37	70	54	10.5	G1/2	8.5	50	26	2.3
TL4000-06	76	199	37	70	54	10.5	G3/4	8.5	50	26	2.3
TL5000-10/06	90	254	46	90	66	13	G1	11	65	35	3.2

### TL Series Air Lubricator—金属杯子型



● TL2000-02M ● TL3000-03M ● TL4000-04M

#### ● Character

Metal cup is of metal material die-casting forming. It's reliable, durable ability and anti-explosion. Besides, it has long use life and safe use.

#### ● Ordering Code

<b>TL</b>	<b>2000</b>	<b>02</b>	<b>M</b>
Series	Type	Pipe size	M: 金属杯子
	2000	01 : G1/8	
	3000	02 : G1/4	
	4000	03 : G3/8	
	5000	04 : G1/2	
		06 : G3/4	
		10 : G1	

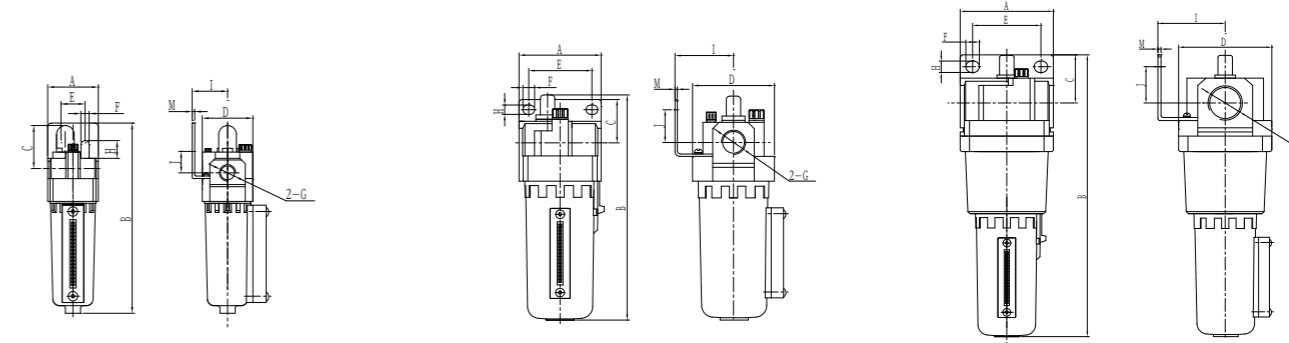


#### ■ Technical Parameter

Specification	TL2000-02M/01M	TL3000-03M/02M	TL4000-04M/03M	TL4000-06M	TL5000-10M/06M
Applicable Medium	Air				
Rating Flow(L/min)	800	1700	5000	6300	7000
Work Pressure	0.05 ~ 1MPa				
Medium Temperature	0 ~ 60°C				
Recommended Lubricating Oil	ISOVG32 or Equivalent				
Min. Flow For Oil Drip	15L/min	30L/min	50L/min	50L/min	190L/min
Lubricating Oil Capacity	25cm <sup>3</sup>	50cm <sup>3</sup>	130cm <sup>3</sup>		

#### ■ Figure Dimension

● TL2000-02M/01M ● TL3000-03M/02M TL4000-04M/03M TL4000-06M ● TL5000-10M/06M

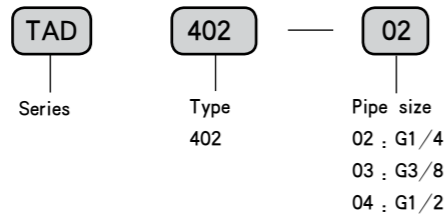


Type	A	B	C	D	E	F	G	H	I	J	M
TL2000-02M/01M	40	131	34	40	19	6.5	G1/4	16	40	17	2.3
TL3000-03M/02M	53	146	30	53	40	8	G3/8	6.5	56	23	2.3
TL4000-04M/03M	70	180	37	70	54	10.5	G1/2	8.5	50	26	2.3
TL4000-06M	76	199	37	70	54	10.5	G3/4	8.5	50	26	2.3
TL5000-10M/06M	90	254	46	90	66	13	G1	11	65	35	3.2

### Auto Drain Valve



#### Ordering Code



- TAD402-02
- TAD402-03
- TAD402-04

#### Applications

The special design of the TAD Series can eliminate the liquid water and oil collect in the lower chamber of air compressor, separator, air dryer, air filter, drop leg, etc. It can be installed in any position which is not convenient for manual drain, or needs more compressed air and more time of drain.

#### Technical Parameter

Specification	TAD402-02	TAD402-03	TAD402-04
Proof Pressure	1.5MPa		
Applicable Pressure	0.15 ~ 1.0MPa		
Medium Temperature	0 ~ 60°C		
Outfall Size	G1/8	G1/4	G3/8
Applicable Medium	空气		

#### Graphics Sign



#### Operation Principle

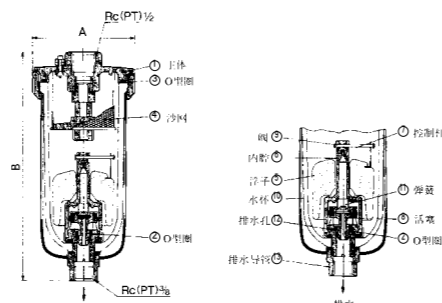
When no pressure is applied internally to case, float ⑤ descends of its own weight and valve ⑨ closes chamber hole ⑥. Piston ⑧ is pushed down by spring (11), and the drainage passes through the chamber's elongated hole (12) to be discharged.

When pressure is applied internally to the case:

When pressure is greater than 0.1MPa, it overcomes the force of spring (11), allowing piston ⑧ to ascend, and the chamber's elongated hole is closed. Thus, the inside of case is isolated from the outside. When drainage has accumulated:

Float ⑤ ascends due to flotation and opens the chamber hole ⑥, allowing the pressure to enter the chamber hole ⑥. Piston ⑧ descends due to the force of the internal pressure and spring (11), and the accumulated drainage is discharged through drain guide (13).

#### Figure Dimension



Type	TAD402-02	TAD402-03	TAD402-04
A	φ82	φ82	φ82
B	182	182	182

#### ZDFS Auto Drain Valve

It is installed in the bottom of auto drain, air filter and filter regulator. It can automatically eliminate condensate collect in lower chamber. Notice: Installed vertically and outfall downward.



● TAD-ZDFS



● TF-ZDFS

### TIR 系列精密减压阀

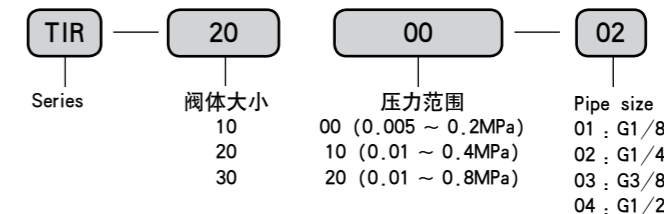


● TIR1000-01 ● TIR2000-01

#### 特性

体积小、重量轻、输出流量大、压力设定精确；安装方便，可用托架独立安装或与现在的模块式过滤组合元件 TF 直接安装。

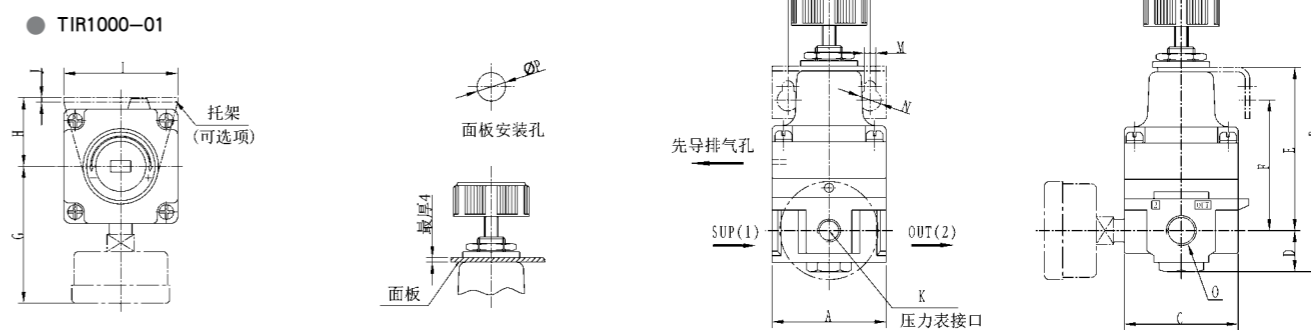
#### Ordering Code



#### Technical Parameter

Specification	TIR1000-01	TIR1010-01	TIR1020-01	TIR2000-02	TIR2010-02	TIR2020-02	TIR3000-03/04	TIR3010-03/04	TIR3020-03/04
设定压力范围 MPa	0.005 ~ 0.2	0.01 ~ 0.4	0.01 ~ 0.8	0.005 ~ 0.2	0.01 ~ 0.4	0.01 ~ 0.8	0.01 ~ 0.2	0.01 ~ 0.4	0.01 ~ 0.8
Outfall Size	G1/8			G1/4			G3/8, G1/2		
耗气量 (1.0MPa 下)	最大 3.5L/min			最大 3.1L/min			最大 9.5L/min 排气口: 最大 2L/min		
最低使用压力 MPa	设定压力 +0.05			设定压力 +0.05			设定压力 +0.05		
Proof Pressure	1.0MPa								
灵敏度	在 0.2% 满度以内								
重复精度	在 ±5% 满度以内								
环境及流体温度	-5 ~ +60 (未冻结时)								
压力表口径	G1/8								

#### Figure Dimension

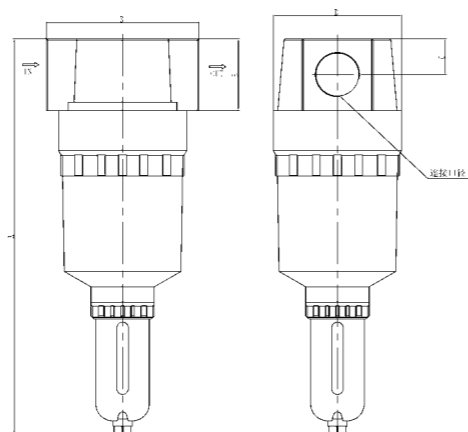
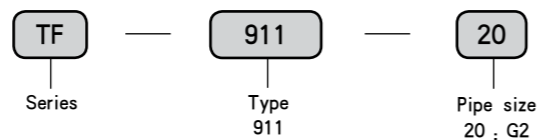


Type	A	B	C	D	E	F	G	H	I	J	K	L	M	N	O	P
TIR1000-01	35	90	35	10	51	44	43	25	42	2	G1/8	28	4.5	φ8.5	G1/8	φ10.5
TIR1010-01	35	90	35	10	51	44	43	25	42	2	G1/8	28	4.5	φ8.5	G1/8	φ10.5
TIR1020-01	35	90	35	10	51	44	43	25	42	2	G1/8	28	4.5	φ8.5	G1/8	φ10.5
TIR2000-02	50	123	50	18	71	63	60	30	50	2	G1/8	36	5.5	φ9.5	G1/8	φ12.5
TIR2010-02	50	123	50	18	71	63	60	30	50	2	G1/8	36	5.5	φ9.5	G1/8	φ12.5
TIR2020-02	50	123	50	18	71	63	60	30	50	2	G1/8	36	5.5	φ9.5	G1/8	φ12.5
TIR3000-03	66	148	66	22	76	76	68	48	82	2.3	G1/8	60	9	φ15.5	G3/8 G1/2	φ12.5
TIR3010-03	66	148	66	22	76	76	68	48	82	2.3	G1/8	60	9	φ15.5		
TIR3020-03	66	148	66	22	76	76	68	48	82	2.3	G1/8	60	9	φ15.5		

### TF911-20 过滤器



● Ordering Code



● 特性

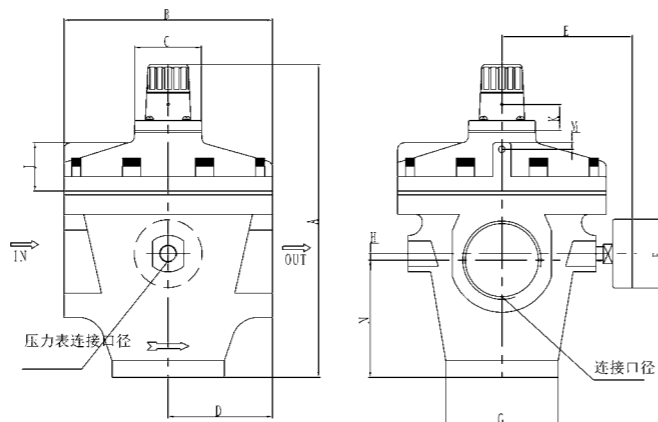
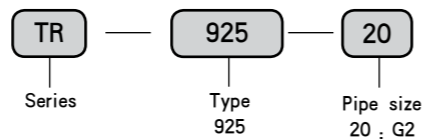
流量大，快速去除压缩空气中的油、水、固态物等污染物，提高下游干燥器的功能，延长精密过滤器使用寿命。

Type	接口螺纹	额定流量	最高使用压力	保证耐压力	过滤精度	环境及流体温度	水杯材质	水杯容量
TF911-20	G2	20000	1.0MPa	1.5MPa	5 μm	-0.5 ~ 60 °C (但未冻结)	聚碳酸酯 / PC	180CM <sup>3</sup>

### TR925-20 减压阀



● Ordering Code



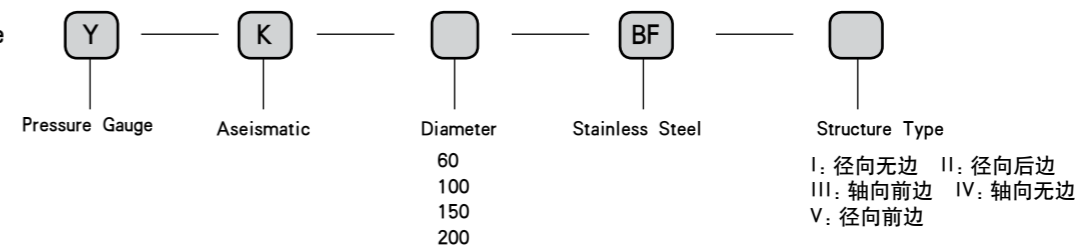
● 特性

流量大，压力设定精确、输出压力稳定，气压调节阀手柄旋转力度轻。

Type	接口螺纹	额定流量	最高使用压力	保证耐压力	调压范围	环境及流体温度	阀型
TR925-20	G2	20000	1.0MPa	1.5MPa	0.05 ~ 0.85	-0.5 ~ 60 °C (但未冻结)	先导溢流型

### Pressure Gauge

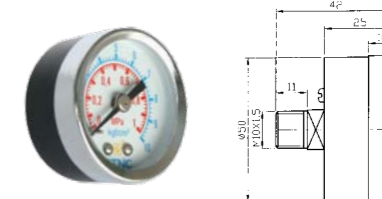
● Ordering Code



Y40 Pressure Gauge



Y50 Pressure Gauge

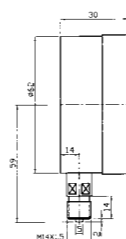


● 特性

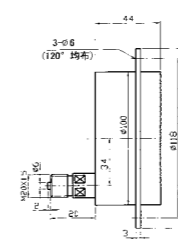
反应灵敏，多种安装方式，多种压力范围，使用方便。制作精度高。



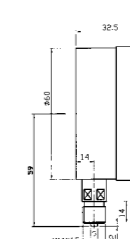
YBF60 Steel Barrel Pressure Gauge



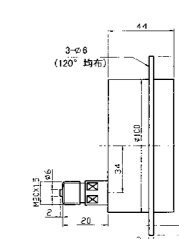
YBF100 Steel Barrel Pressure Gauge



YK60 Aseismatic Pressure Gauge



YK100 Aseismatic Pressure Gauge



● 特性

防震性能优越。反应灵敏，多种安装方式，多种压力范围。

■ Technical Parameter

Type	Y40	Y50	Y60	YK60	Y100	YK100
Diameter	φ 40	φ 50	φ 60		φ 100	
Pipe Thread	M10x1		M14x1.5		M20x1.5	
Precision	2.5			1.5		
Measure MPa	0 ~ 0.1, 0 ~ 0.16, 0 ~ 0.25, 0 ~ 0, 4.0 ~ 1, 0 ~ 1.6, 0 ~ 2.5, 0 ~ 4, 0 ~ 6, 0 ~ 10, 0 ~ 16, 0 ~ 25, 0 ~ 60					
Aseismatic Grade	V.H.4					
Environment Temperature	-40 ~ 70°C					

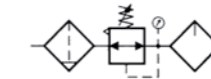
Note: The thread type could be made to order

### GC Series Treatment Triplet

#### Ordering Code

<b>GC</b>	<b>2000</b>	<b>U</b>
Series	Type	Iron Shell
	1500	No Mark :
	2000	1500 ~ 2000 No Shell
	3000	3000 ~ 4000 With Shell
	4000	U: 1500 ~ 2000 With Shell

#### Graphics Sign

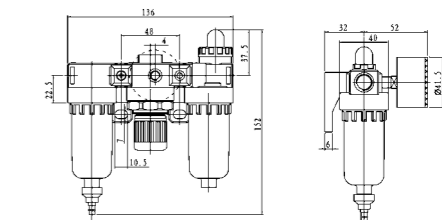


#### Technical Parameter

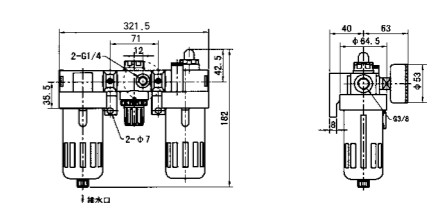
Specification	GC1500	GC2000	GC3000	GC4000	
Applicable Medium	Air				
Pipe Size	G1/8	G1/4	G3/8	G1/2	
Filtration	5 μm ~ 40 μm				
Applicable Pressure Range	0.05 ~ 0.9MPa				
Medium Temperature	0 ~ 60°C				
Recommended Lubricating Oil	ISOVG32 or Equivalent				
Type of Valve	Relief Type				
Gauge Port Size	G1/8		G1/4		
Components	Air Filter	GF1500	GF2000	GF3000	GF4000
	Air Regulator	GR1500	GR2000	GR3000	GR4000
	Air Lubricator	GL1500	GL2000	GL3000	GL4000

#### Figure Dimension

##### GC2000



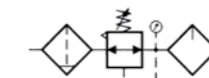
##### GC3000



#### Ordering Code

<b>GFC</b>	<b>2000</b>	<b>U</b>
Series	Type	Iron Shell
	1500	No Mark :
	2000	1500 ~ 2000 No Shell
	3000	3000 ~ 4000 With Shell
	4000	U: 1500 ~ 2000 With Shell

#### Graphics Sign

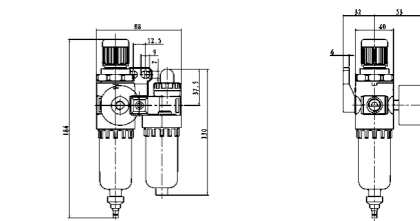


#### Technical Parameter

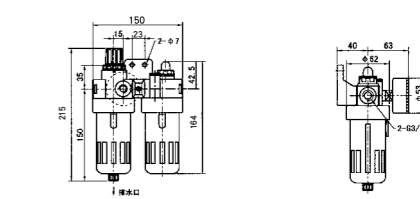
Specification	GFC1500	GFC2000	GFC3000	GFC4000	
Applicable Medium	Air				
Pipe Size	G1/8	G1/4	G3/8	G1/2	
Filtration	5 μm ~ 40 μm				
Applicable Pressure Range	0.05 ~ 0.9MPa				
Medium Temperature	0 ~ 60°C				
Recommended Lubricating Oil	ISOVG32 or Equivalent				
Type of Valve	Relief Type				
Gauge Port Size	G1/8		G1/4		
Components	Filter Regulator	GFR1500	GFR2000	GFR3000	GFR4000
	Air Lubricator	GL1500	GL2000	GL3000	GL4000

#### Figure Dimension

##### GFC2000

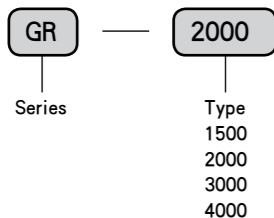


##### GFC3000

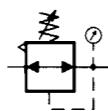


### GR Series Regulator

#### Ordering Code



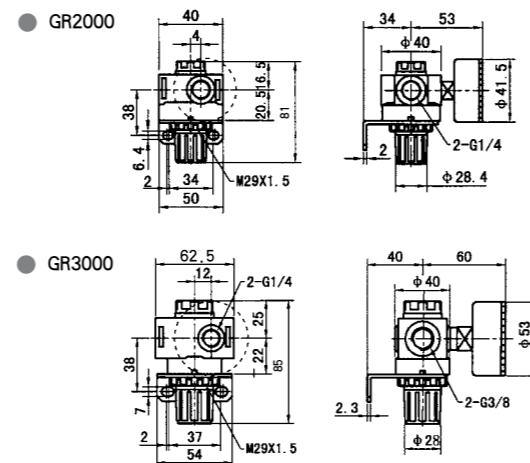
#### Graphics Sign



#### Technical Parameter

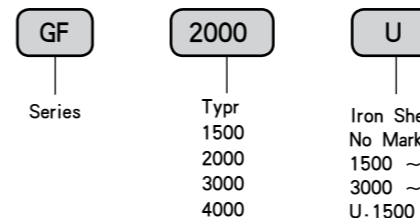
Specification	GR1500	GR2000	GR3000	GR4000
Applicable Medium	Air			
Pipe Size	G1/8	G1/4	G3/8	G1/2
Applicable Pressure Range	0.05 ~ 0.9MPa			
Medium Temperature	0 ~ 60°C			
Type of Valve	Relief Type			
Gauge Port Size	G1/8		G1/4	

#### Figure Dimension

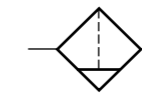


### GF Series Filter

#### Ordering Code



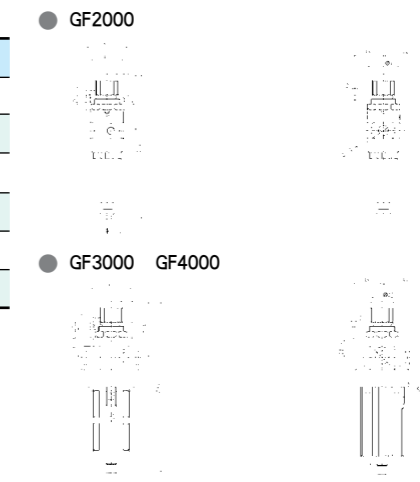
#### Graphics Sign



#### Technical Parameter

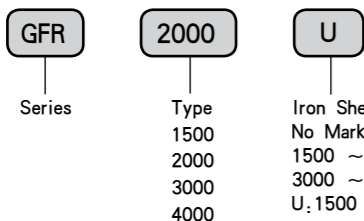
Specification	GF1500	GF2000	GF3000	GF4000
Applicable Medium	Air			
Pipe Size	G1/8	G1/4	G3/8	G1/2
Filtration	5 μm ~ 40 μm			
Applicable Pressure Range	0.05 ~ 0.9MPa			
Medium Temperature	0 ~ 60°C			
Drain Holding Capacity	15cm <sup>3</sup>		60cm <sup>3</sup>	

#### Figure Dimension

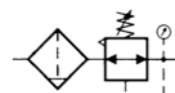


### GFR Series Filter

#### Ordering Code



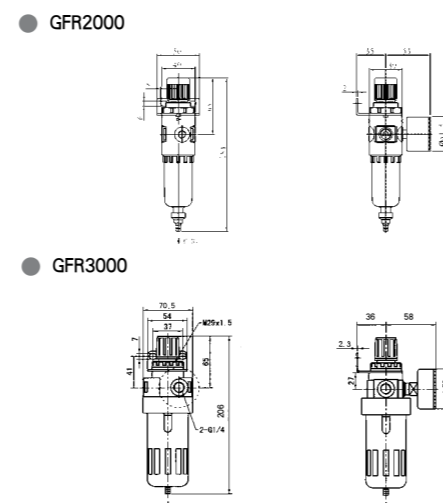
#### Graphics Sign



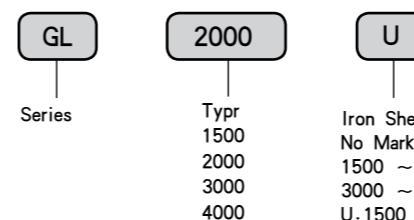
#### Technical Parameter

Specification	GFR1500	GFR2000	GFR3000	GFR4000
Applicable Medium	Air			
Pipe Size	G1/8	G1/4	G3/8	G1/2
Filtration	5 μm ~ 40 μm			
Applicable Pressure Range	0.05 ~ 0.9MPa			
Medium Temperature	0 ~ 60°C			
Gauge Port Size	G1/8		G1/4	
Drain Holding Capacity	15cm <sup>3</sup>		60cm <sup>3</sup>	

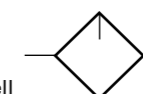
#### Figure Dimension



#### Ordering Code



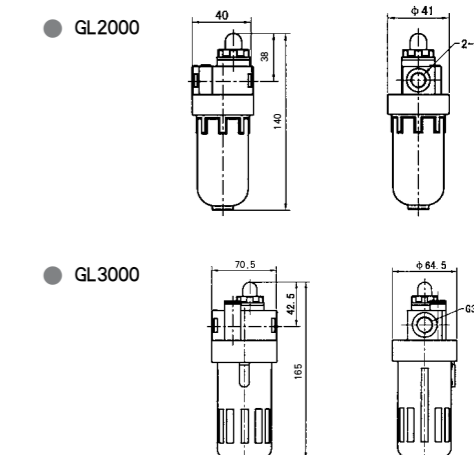
#### Graphics Sign



#### Technical Parameter

Specification	GL1500	GL2000	GL3000	GL4000
Pipe Size	Air			
Max Pressure	G1/8	G1/4	G3/8	G1/2
Recommended Lubricating Oil	ISOVG32 or Equivalent			
Applicable Medium	0.9MPa			
Medium Temperature	0 ~ 60°C			
Drain Holding Capacity	25cm <sup>3</sup>		90cm <sup>3</sup>	

#### Figure Dimension

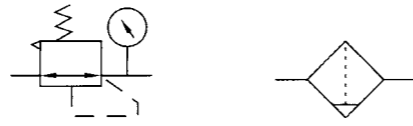


### High Pressure Air Source Treatment



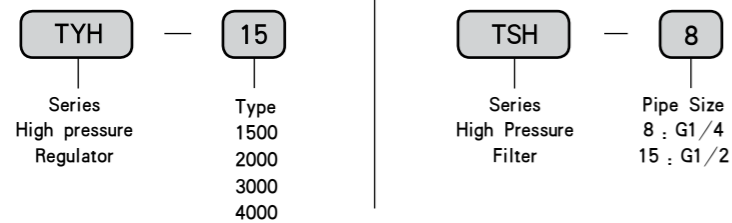
- TYH-8
- TYH-15
- TYH-20
- TYH-25
- TSH-8
- TSH-15

#### Graphics Sign



- TYH-□
- TSH-□

#### Ordering Code



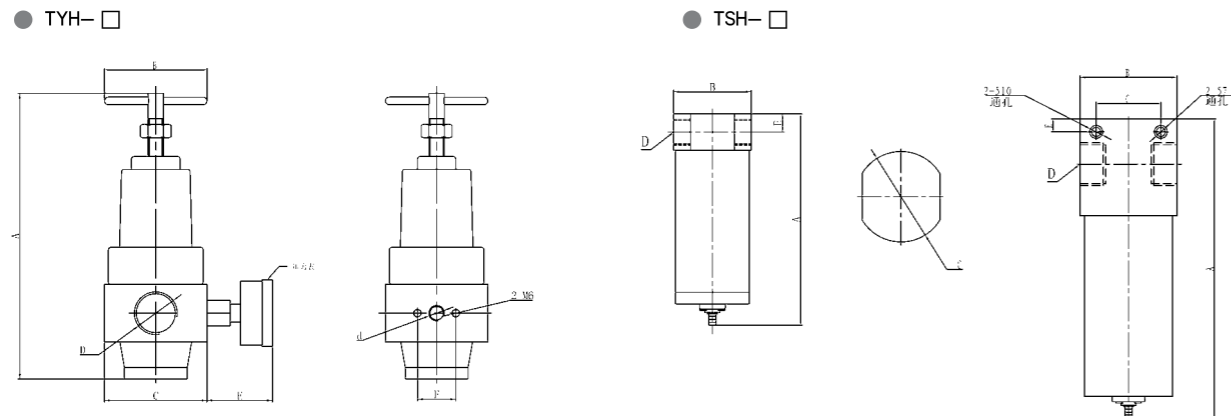
#### Specific Property

These high pressure air source treatment are self-developed products, specially designed to be used on high pressure condition, been adopted widely in high pressure pneumatic equipment such as Blow Bottle Machine.

#### Technical Parameter

Specification	TYH-8	TYH-15	TYH-20	TYH-25	TSH-8	TSH-15	TSH-20	TSH-25
Applicable Pressure	0.5 ~ 3.6Mpa				0.1 ~ 3.6Mpa			
Medium Temperature	-10 ~ 60°C				0 ~ 60°C			
过滤精度	-				25 ~ 75 μm			

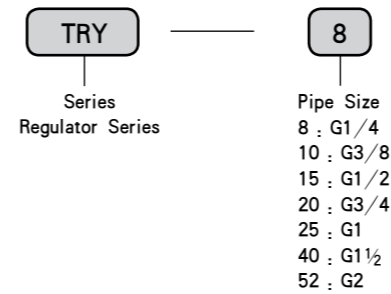
#### Figure Dimension



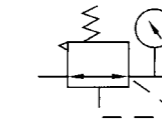
Type	A	B	C	D	E	F	d
TYH-8、10、15	150	78	55x55	G1/4、G3/8、G1/2	35	30	G1/4
TYH-20、25	224	91	75x75	G3/4、G1	92	30	G1/4
TSH-08、10、15	154	60	φ70	G1/4、G3/8、G1/2	14	-	-
TSH-20、25	231	75x75	50	G3/4、G1	10	-	-

### TRY Series Regulator

#### Ordering Code



#### Graphics Sign

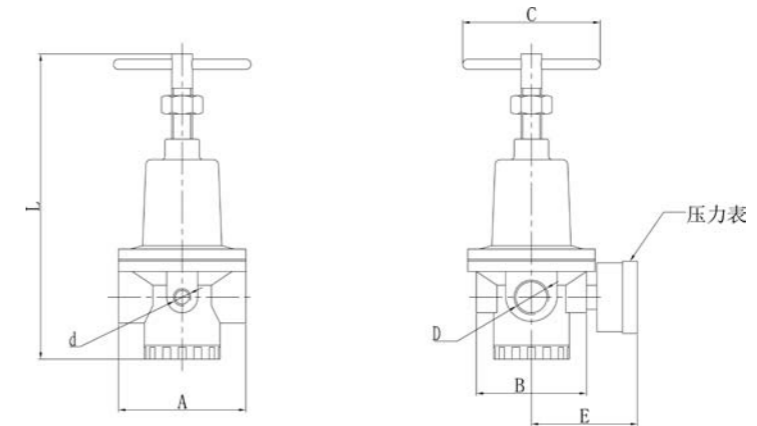


- TRY-10
- TRY-25

#### Technical Parameter

Specification	TRY-8	TRY-10	TRY-15	TRY-20	TRY-25	TRY-40	TRY-50
Applicable Medium	Air						
Applicable Pressure Range	0.05 ~ 1.6MPa						
Medium Temperature	-10 ~ 60°C						
Type of Valve	Relief Type						
Gauge Port Size	G1/4						

#### Figure Dimension



Type	A	B	C	D	E	F
TRY-8	74	64	78	G1/4	80	173
TRY-10	74	64	78	G3/8	80	173
TRY-15	74	64	78	G1/2	80	181
TRY-20	109	113	95	G3/4	100	250
TRY-25	109	113	95	G1	100	250
TRY-40	136	104	95	G1 1/2	100	280
TRY-50	136	104	95	G1 1/2	100	280

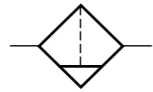


### TSL Series Air Filter

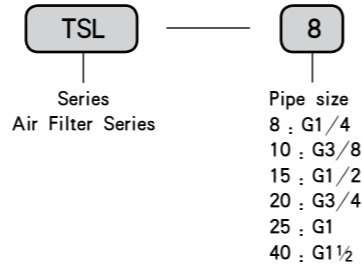


● TSL-10      ● TSL-25

■ Graphics Sign



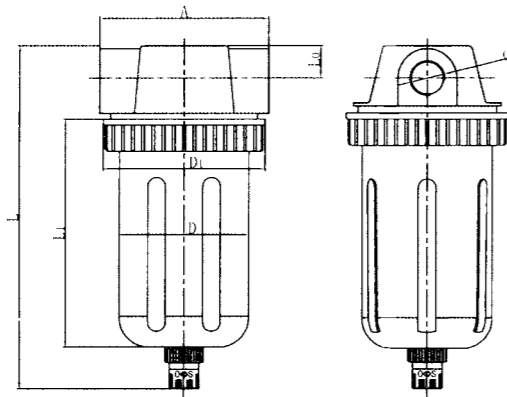
● Ordering Code



■ Technical Parameter

Specification	TSL-8	TSL-10	TSL-15	TSL-20	TSL-25	TSL-40	TSL-50
Applicable Medium	Air						
Filtration	25 ~ 75 μm						
Applicable Pressure Range	0 ~ 1.0MPa						
Medium Temperature	0 ~ 60°C						
Drain Holding Capacity	200cm <sup>3</sup>			400cm <sup>3</sup>			

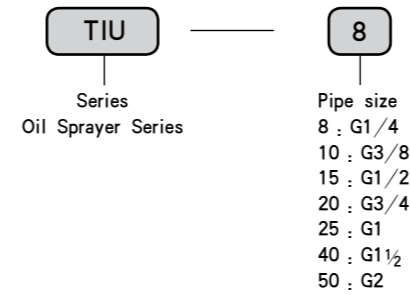
■ Figure Dimension



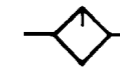
Type	d	A	D	D1	L0	L1	L2	L ≈
TSL-8	G1/4	90	φ 70	φ 88	φ 55	114	114	160
TSL-10	G3/8							
TSL-15	G1/2							
TSL-20	G3/4	115	φ 90	φ 110	φ 66	21	151	215
TSL-25	G1							
TSL-40	G1 1/2	132	φ 90	φ 130	φ 92	32	228	310
TSL-50								

### TIU Series Oil Sprayer

● Ordering Code



■ Graphics Sign

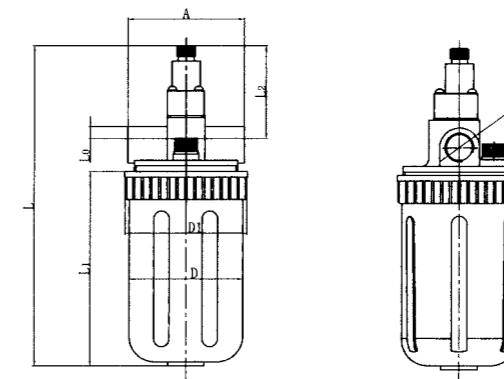


● TIU-10      ● TIU-40

■ Technical Parameter

Specification	TIU-8	TIU-10	TIU-15	TIU-20	TIU-25	TIU-40	TIU-50	
Medium Temperature	0~60°C							
Work Pressure	1.0MPa							
Flog Air Flux (L/min)	Intake Pressure MPa	0.10	75	120	140	350	600	1500
		0.40	140	190	350	750	1200	2000
		0.63	220	300	480	1100	1600	2300
		(0.80)	240	400	630	1400	1800	2600
		1.00	300	470	650	1500	2100	3000
Air Flux (L/min)	Intake Pressure MPa	0.10	140	200	270	710	1250	4000
		0.40	390	590	900	2250	3250	12000
		0.63	540	900	1450	3350	4950	19000
		(0.80)	810	1200	1900	4050	5600	25000
		1.0	1000	1650	2100	5050	6300	31000
Lubricating Oil Flux Is 0 ~ 120 Drops/min and Can Be Adjusted Equably	Working Pressure 0.4MPa	Vent Pressure L/min						
		250	590	900	2250	3250	350	1200
Drain Holding Capacity	200cm <sup>3</sup>				400cm <sup>3</sup>			

■ Figure Dimension



Type	d	A	D	D1	L0	L1	L2	L ≈
TIU-8	G1/4	90	φ 70	φ 88	13.5	114	69	200
TIU-10	G3/8							
TIU-15	G1/2							
TIU-20	G3/4	115	φ 90	φ 110	21	21	74	250
TIU-25	G1							
TIU-40	G1 1/2	115	φ 90	φ 110	32	32	105	270
TIU-50								

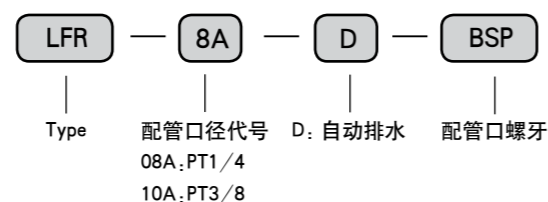
### LFR 系列空气过滤器



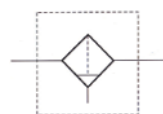
#### Character

过滤器和减压阀组合成一个单独的装置。  
分水过滤器能虑除上游压缩空气中的污物、管垢、铁锈及冷凝水。  
5um 滤芯可很容易替换 40um 标准滤芯。  
即使因输入压力和压缩空气消耗产生系统波动，减压阀也能保证其设定的工作压力非常稳定。

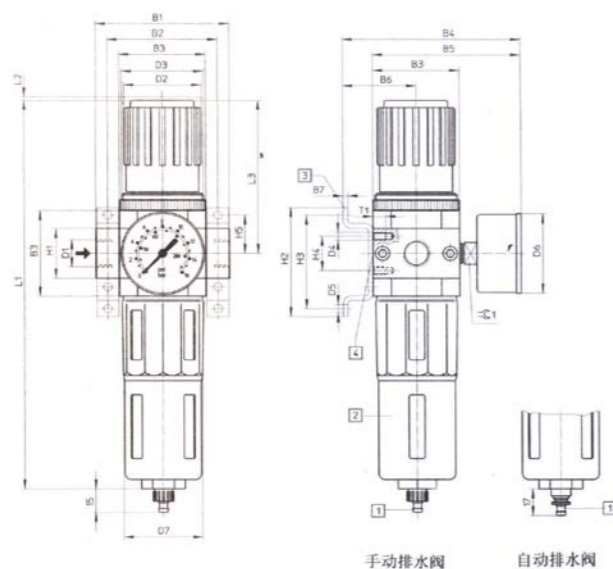
#### Ordering Code



#### Graphics Sign



#### Figure Dimension



Type	B1	B2	B3	B4	B5	B6	B7	D1	D2	D3	D4	D5	D6	D7	H1	H2	H3	H4	H5	L1	L2	L3	T1
LFR-1/8-D-MINI...	64	52	40	96	77	39	2	G1/8	31	M36x1.5	M4	4.3	39	38	20	43	35	11	17.5	194	1	69	7
LFR-1/4-D-MINI...	64	52	40	96	77	39	2	G1/4	31	M36x1.5	M4	4.3	39	38	20	43	35	11	17.5	194	1	69	7
LFR-3/8-D-MINI...	64	52	40	96	77	39	2	G3/8	31	M36x1.5	M4	4.3	39	38	20	43	35	11	17.5	194	1	69	7
LFR-3/8-D-MIDI...	70	70	55	113	94	47	3	G3/8	50	M52x1.5	M5	5.3	51	52	32	70	60	22	24.5	250	2	98	8
LFR-1/2-D-MIDI...	85	70	55	113	94	47	3	G1/2	50	M52x1.5	M5	5.3	51	52	32	70	60	22	24.5	250	2	98	8

### LFR 系列空气过滤器

#### Technical Parameter

订货号	Type	MINI 型			MIDI 型	
Work Pressure	手动排水阀	159 630	159 631	159 682	159 582	159 584
12 bar		LFR-1/8-D-MINI	LFR-1/4-D-MINI	LFR-3/8-D-MINI	LFR-3/8-D-MIDI	LFR-1/2-D-MIDI
40um 滤芯	自动排水阀	159 634	159 635	159 684	159 583	159 585
		LFR-1/8-D-MINI-A	LFR-1/4-D-MINI-A	LFR-3/8-D-MINI-A	LFR-3/8-D-MIDI-A	LFR-1/2-D-MIDI-A
Work Pressure	手动排水阀	162 702	162 703	162 704	162 705	162 706
7 bar		LFR-1/8-D-7-MINI	LFR-1/4-D-7-MINI	LFR-3/8-D-7-MINI	LFR-3/8-D-7-MIDI	LFR-1/2-D-7-MIDI
40um 滤芯	自动排水阀	162 710	162 711	162 712	162 713	162 714
		LFR-1/8-D-7-MINI-A	LFR-1/4-D-7-MINI-A	LFR-3/8-D-7-MINI-A	LFR-3/8-D-7-MIDI-A	LFR-1/2-D-7-MIDI-A
Work Pressure	手动排水阀	162 718	162 719	162 720	162 721	162 722
12 bar		LFR-1/8-D-5M-MINI	LFR-1/4-D-5M-MINI	LFR-3/8-D-5M-MINI	LFR-3/8-D-5M-MIDI	LFR-1/2-D-5M-MIDI
5um 滤芯	自动排水阀	162 726	162 727	162 728	162 729	162 730
		LFR-1/8-D-5M-MINI-A	LFR-1/4-D-5M-MINI-A	LFR-3/8-D-5M-MINI-A	LFR-3/8-D-5M-MIDI-A	LFR-1/2-D-5M-MIDI-A
Pressure gauge	适用 0 ~ 12 bar 二联件	345 395MA-40-16-1/8				356 759MA-50-161/4
	适用 0 ~ 7 bar 二联件	359 874MA-40-10-1/8				359 873MA-50-10-1/4
Applicable Medium		Air				
结构特点		带水分离器的烧结式过滤器；MINI/MIDI：膜片式减压阀；MAXI：活塞式减压阀				
Gauge Port Size		G1/8	G1/4	G3/8	G3/8	G1/2
标准额定流量	LFR-...-D-...(-A)	750	1400	1600	3100	3400
	LFR-...-D-7...(-A)	900	1500	1700	3400	3900
	LFR-...-D-5M...(-A)	650	1200	1350	2400	2500
输入压力	手动排水阀	1 ~ 16bar				
	自动排水阀	1.5 ~ 12bar				
Work Pressure		0.5 ~ 12 bar/0.5 ~ 7 bar				
Filtration		40um/5 um				
最大凝液容量		22ml			43ml	
Medium Temperature		-10 ~ +60°C				

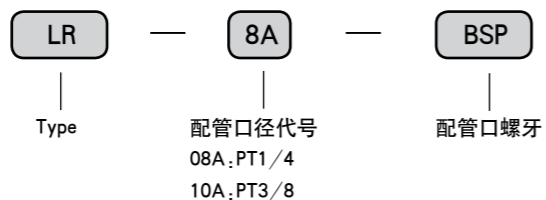
### LR 系列减压阀

#### Character

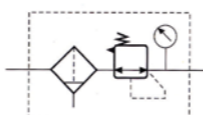
即使因输入压力和压缩空气消耗产生系统波动，减压阀也能保证其设定的工作压力非常稳定。

如果系统没有空气消耗，减压阀中的自动排气装置也可使系统工作压力稳定。

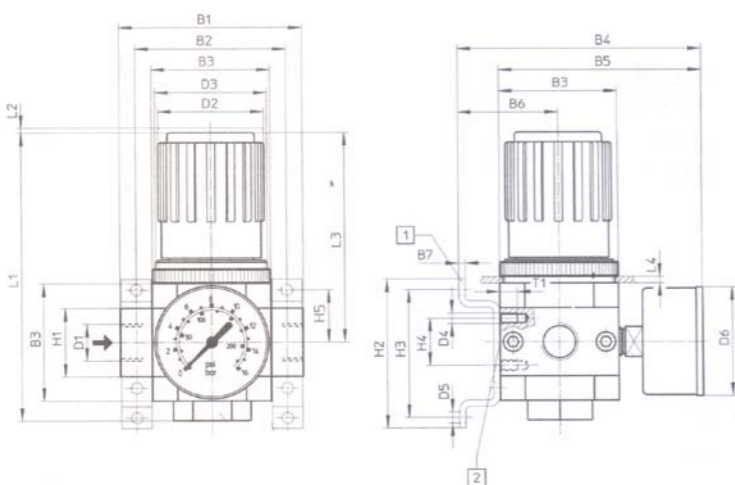
#### Ordering Code



#### Graphics Sign



#### Figure Dimension



Type	B1	B2	B3	B4	B5	B6	B7	D1	D2	D3	D4	D5	D6	H1	H2	H3	H4	H5	L1	L2	L3	L4	T1
LR-1/8-MINI...	64	52	40	96	77	39	2	G1/8	31	M36x1.5	M4	4.3	39	20	43	35	11	17.5	194	1	69	3	7
LR-1/4-MINI...	64	52	40	96	77	39	2	G1/4	31	M36x1.5	M4	4.3	39	20	43	35	11	17.5	194	1	69	3	7
LR-3/8-MINI...	64	52	40	96	77	39	2	G3/8	31	M36x1.5	M4	4.3	39	20	43	35	11	17.5	194	1	69	3	7
LR-3/8-MIDI...	70	70	55	113	94	47	3	G3/8	50	M52x1.5	M5	5.3	51	32	70	60	22	24.5	250	2	98	5	8
LR-1/2-MIDI...	85	70	55	113	94	47	3	G1/2	50	M52x1.5	M5	5.3	51	32	70	60	22	24.5	250	2	98	5	8

### LR 系列减压阀

#### Technical Parameter

订货号	Type	MINI 型			NIDI 型	
		工作压力 12 bar 带压力表	工作压力 7 bar 带压力表	工作压力 12 bar 不带压力表	工作压力 7 bar 不带压力表	工作压力 12 bar 不带压力表
减压阀	工作压力 12 bar 带压力表	159 624 LR-1/8- MINI	159 625 LR-1/4- MINI	162 580 LR-3/8- MINI	159 580 LR-3/8- MIDI	159 581 LR-1/2- MIDI
	工作压力 7 bar 带压力表	162 582 LR-1/8- 7-MINI	162 583 LR-1/4- MINI	162 584 LR-3/8- MINI	162 585 LR-3/8- MIDI	162 586 LR-1/2- MIDI
	工作压力 12 bar 不带压力表	162 590 LR-1/8- O-MINI	162 591 LR-1/4- O-MINI	162 592 LR-3/8- O-MINI	162 593 LR-3/8- O-MIDI	162 594 LR-1/2- O-MIDI
	工作压力 7 bar 不带压力表	162 598 LR-1/8- 7-O-MINI	162 599 LR-1/4- O-MINI	162 600 LR-3/8- O-MINI	162 601 LR-3/8- O-MIDI	162 602 LR-1/2- O-MIDI
Pressure gauge	适用 0 ~ 12 bar 二联件	345 395MA-40-16-1/8			356 759MA-50-161/4	
	适用 0 ~ 7 bar 二联件	359 874MA-40-10-1/8			359 873MA-50-10-1/4	
Applicable Medium	过滤压缩空气 (润滑或维润滑)					
结构特点	带水分离器的烧结式过滤器; MINI/MIDI: 膜片式减压阀; MAXI: 活塞式减压阀					
连接尺寸	G1/8		G1/4	G3/8	G3/8	G1/2
标准额定流量	LR-...-...	800	1500	1700	3200	3500
	LR-...-7...	1000	1200	1800	3300	4000
输入压力	1 ~ 16bar					
工作压力	0.5 ~ 12 bar/0.5 ~ 7 bar					
Medium Temperature	-10 ~ +60°C					



安装支架  
型号 HFOE-D-...



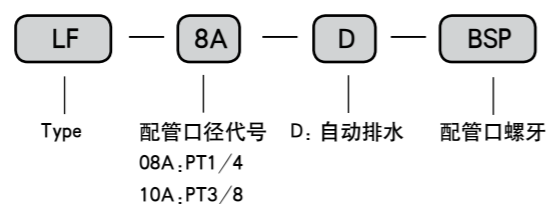
安装支架  
型号 HR-D-...  
(只适用于 LR 和 LFR 型)



Character

分水过滤器能虑除上游压缩空气中的污物、管垢、铁锈及冷凝水。  
对于一些特出场合应用，5um 滤芯可很容易替换 40um 标准滤芯。

Ordering Code



Graphics Sign

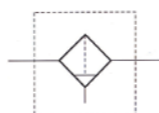
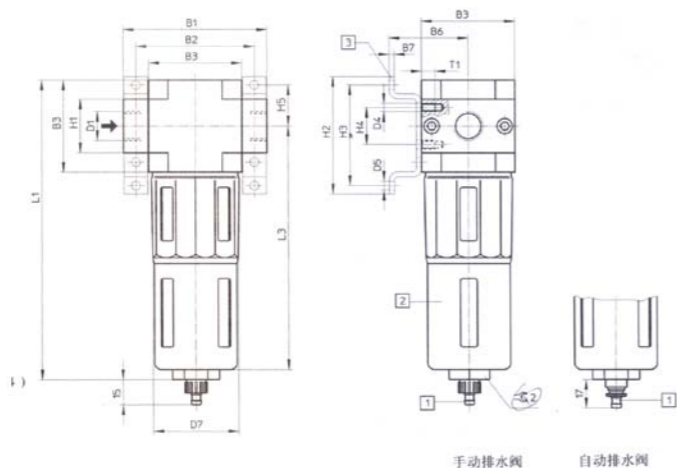


Figure Dimension



Type	B1	B2	B3	B6	B7	D1	D4	D5	D6	D7	H1	H2	H3	H4	H5	L1	L3	T1
LF-1/8-D-MINI...	64	52	40	39	2	G1/8	M4	4.3	39	38	20	43	35	11	17.5	194	69	7
LF-1/4-D-MINI...	64	52	40	39	2	G1/4	M4	4.3	39	38	20	43	35	11	17.5	194	69	7
LF-3/8-D-MINI...	64	52	40	39	2	G3/8	M4	4.3	39	38	20	43	35	11	17.5	194	69	7
LF-3/8-D-MIDI...	70	70	55	47	3	G3/8	M5	5.3	51	52	32	70	60	22	24.5	250	98	8
LF-1/2-D-MIDI...	85	70	55	47	3	G1/2	M5	5.3	51	52	32	70	60	22	24.5	250	98	8

Technical Parameter

订货号	Type	MINI 型			MIDI 型	
		159 612 LF-1/8-D-MINI	159 613 LF-1/4-D-MINI	162 606 LF-3/8-D-MINI	159 576 LF-3/8-D-MIDI	159 578 LF-1/2-D-MIDI
40um 滤芯	手动排水阀	159 612 LF-1/8-D-MINI	159 613 LF-1/4-D-MINI	162 606 LF-3/8-D-MINI	159 576 LF-3/8-D-MIDI	159 578 LF-1/2-D-MIDI
	自动排水阀	159 616 LF-1/8-D-MINI-A	159 617 LF-1/4-D-MINI-A	159 608 LF-3/8-D-MINI-A	159 577 LF-3/8-D-MIDI-A	159 579 LF-1/2-D-MIDI-A
5um 滤芯	手动排水阀	162 610 LF-1/8-D-5M-MINI	162 611 LF-1/4-D-5M-MINI	162 612 LF-3/8-D-5M-MINI	162 613 LF-3/8-D-5M-MIDI	162 614 LF-1/2-D-5M-MIDI
	自动排水阀	162 618 LF-1/8-D-5M-MINI-A	162 619 LF-1/4-D-5M-MINI-A	162 620 LF-3/8-D-5M-MINI-A	162 621 LF-3/8-D-5M-MIDI-A	162 622 LF-1/2-D-5M-MIDI-A
Applicable Medium		Air				
结构特点		带水分离器的烧结式过滤器				
连接尺寸		G1/8	G1/4	G3/8	G3/8	G1/2
标准额定流量	LF-...-D-...(-A)	1000	1200	1400	2700	3000
	LF-...-D-5M...(-A)	600	950	1100	1800	1900
工作压力	手动排水阀	最大 16bar				
	自动排水阀	1.5 ~ 12bar				
Filtration		40um/5 um				
最大凝液容量		22ml			43ml	
Medium Temperature		-10 ~ +60°C				

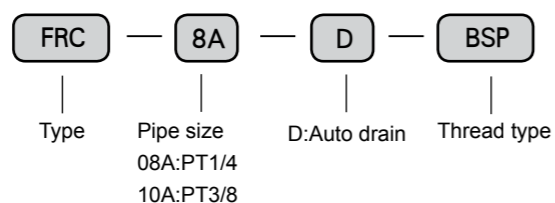
### FRC Series treatment Triplet

#### Character

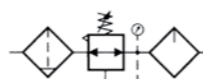
FRC triplet type is composed of filter regulator LFR and lubricator LOE. These parts can be ordered separately. Water division filter can filtrate filth, pipe scale, rust and condensate water of the above air. As for special application, 5um filter element can be easily changed into 40um standard filter element.



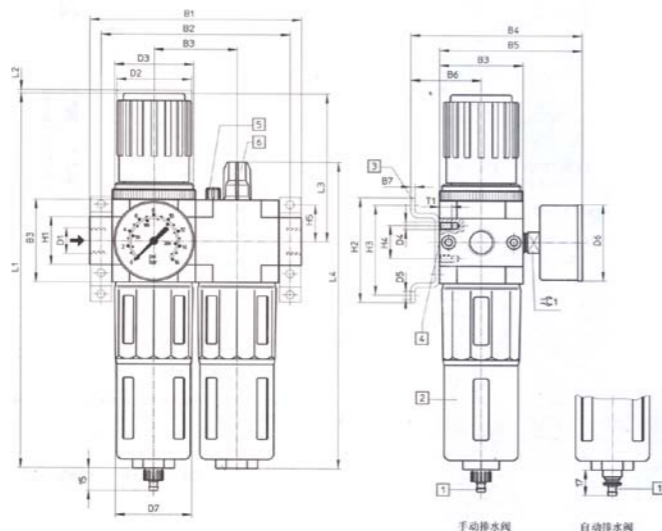
#### Ordering Code



#### Graphics Sign



#### Figure Dimension



Type	B1	B2	B3	B4	B5	B6	B7	D1	D2	D3	D4	D5	D6	D7	H1	H2	H3	H4	H5	L1	L2	L3	T1
FRC-1/8-D-MINI...	104	92	40	96	77	39	2	G1/8	31	M36x1.5	M4	4.3	39	38	20	43	35	11	17.5	194	1	69	7
FRC-1/4-D-MINI...	104	92	40	96	77	39	2	G1/4	31	M36x1.5	M4	4.3	39	38	20	43	35	11	17.5	194	1	69	7
FRC-3/8-D-MINI...	104	92	40	96	77	39	2	G3/8	31	M36x1.5	M4	4.3	39	38	20	43	35	11	17.5	194	1	69	7
FRC-3/8-D-MIDI...	110	125	55	113	94	47	3	G3/8	50	M52x1.5	M5	5.3	51	52	32	70	60	22	24.5	250	2	98	8
FRC-1/2-D-MIDI...	140	125	55	113	94	47	3	G1/2	50	M52x1.5	M5	5.3	51	52	32	70	60	22	24.5	250	2	98	8

### FRC Series treatment Triplet

#### Technical Parameter

Order	Type	MINI			MIDI	
		159 604 FRC-1/8-D-MINI	159 605 FRC-1/4-D-MINI	162 734 FRC-3/8-D-MINI	159 588 FRC-3/8-D-MIDI	159 590 FRC-1/2-D-MIDI
Working pressure 12 bar	Manual dewatering valve					
Filter element 40um	Auto watering valve	159 608 FRC-1/8-D-MINI-A	159 609 FRC-1/4-D-MINI-A	162 736 FRC-3/8-D-MINI-A	159 589 FRC-3/8-D-MIDI-A	159 591 FRC-1/2-D-MIDI-A
Working pressure 7 bar	Manual dewatering valve	162 754 FRC-1/8-D-MINI	162 755 FRC-1/4-D-MINI	162 756 FRC-3/8-D-MINI	162 757 FRC-3/8-D-MIDI	162 758 FRC-1/2-D-MIDI
Filter element 40um	Auto watering valve	162 762 FRC-1/8-D-MINI-A	162 763 FRC-1/4-D-MINI-A	162 764 FRC-3/8-D-MINI-A	162 765 FRC-3/8-D-MIDI-A	162 766 FRC-1/2-D-MIDI-A
Working pressure 12 bar	Manual dewatering valve	162 770 FRC-1/8-D-5M-MINI	162 771 FRC-1/4-D-5M-MINI	162 772 FRC-3/8-D-5M-MINI	162 773 FRC-3/8-D-5M-MIDI	162 774 FRC-1/2-D-5M-MIDI
Filter element 5um	Auto watering valve	162 778 FRC-1/8-D-5M-MINI-A	162 779 FRC-1/4-D-5M-MINI-A	162 780 FRC-3/8-D-5M-MINI-A	162 781 FRC-3/8-D-5M-MIDI-A	162 782 FRC-1/2-D-5M-MIDI-A
	Use for 0 ~ 12 bar FRL	345 395MA-40-16-1/8			356 759MA-50-16-1/4	
	Use for 0 ~ 7 bar FRL	359 874MA-40-10-1/8			359 873MA-50-10-1/4	
Pressure gauge		Air				
Applicable Medium		Sintered with water separator filter: MINI/MIDI:Diaphragm valve; MAXI:Piston valve				
Structural features		G1/8	G1/4	G3/8	G3/8	G1/2
Connection size	LFR...D...(-A)	750	1400	1600	3100	3400
Standard nominal	LFR...D-7...(-A)	900	1500	1700	3400	3900
flow rate	LFR...D-5M...(-A)	650	1200	1350	2400	2500
Input pressure	Manual dewatering valve	1 ~ 16bar				
	Auto watering valve	1.5 ~ 12bar				
Working pressure		0.5 ~ 12 bar/0.5 ~ 7 bar				
Filtration		40um/5 um				
Max limeset capacity		22ml			43ml	
Medium Temperature		-10 ~ +60°C				

### LOE 系列油雾器



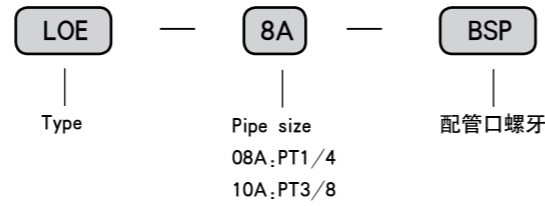
#### Character

自动可变节流式油雾器可均匀地向压缩空气喷雾器。一个调节器保证了油雾量与压缩空气流量成比例。

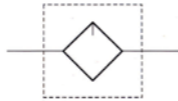
压缩空气经过文丘里喷嘴时产生压降，迫使油液从油杯进入视油器，随压缩空气进入输出口，同时被雾化。在工作中可实现不停气加油。

可通过调节螺钉调节滴油量，通常每 1000l 空气中含有 1 ~ 12 滴就足够了。

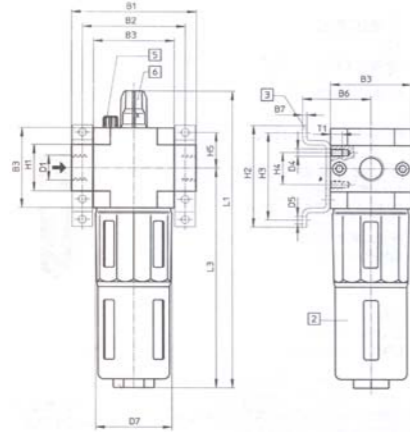
#### Ordering Code



#### Graphics Sign



#### Figure Dimension



Type	B1	B2	B3	B6	B7	D1	D4	D5	D7	H1	H2	H3	H4	L1	L3	T1
LOE-1/8-MINI...	64	52	40	39	2	G1/8	M4	4.3	38	20	43	35	11	169	124	7
LOE-1/4-MINI...	64	52	40	39	2	G1/4	M4	4.3	38	20	43	35	11	169	124	7
LOE-3/8-MINI...	64	52	40	39	2	G3/8	M4	4.3	38	20	43	35	11	169	124	7
LOE-3/8-MIDI...	70	70	55	47	3	G3/8	M5	5.3	52	32	70	60	22	206	151	8
LOE-1/2-MIDI...	85	70	55	47	3	G1/2	M5	5.3	52	32	70	60	22	206	151	8

#### Technical Parameter

订货号	Type	MINI 型			MIDI 型	
油雾器		159 624 LR-1/8-MINI	159 625 LR-1/4-MINI	162 580 LR-3/8-MINI	159 580 LR-3/8-MIDI	159 581 LR-1/2-MIDI
Applicable Medium		过滤压缩空气 (润滑或维润滑)				
连接尺寸		G1/8	G1/4	G3/8	G3/8	G1/2
标准额定流量		1000	1200	1800	3300	4000
最大工作压力		1 ~ 16bar				
最大贮油量		45ml			110ml	
Medium Temperature		-10 ~ +60°C				

### Water cup & Oil cup

TF2000 water cup	TL2000 Oil cup	TF3000 water cup	TL3000 Oil cup
Used for: TC2000-02 TC2010-02 TW2000-02 TF2000-02	Used for: TC2000-02 TC2010-02 TL2000-02	Used for: TC3000-03 TC3010-03 TW3000-03 TF3000-03	Used for: TC3000-03 TC3010-03 TL3000-03
TF4000 water cup	TL4000 Oil cup	GF3000 water cup	GL3000 Oil cup
Used for: TC4000-04 TC5000-10 TC4010-04 TC5010-10 TW4000-04 TW5000-10 TF4000-04 TF5000-10	Used for: TC4000-04 TC5010-10 TC4010-04 TL5000-10 TL4000-04 TC5000-10	Used for: GF3000 GC3000 GF4000 GC4000 GFR3000 GFC3000 GFR4000 GFC4000	Used for: GL3000 GC3000 GL4000 GC4000 GFC3000 GFC4000
TF2000 water cup	TF2000 Oil cup	TF3000 water cup	TF4000 water cup
Used for: TC2000-02M TC2000-02DM TC2010-02M TC2010-02DM TW2000-02M TW2000-02DM TF2000-02M TF2000-02DM	Used for: TC2000-02M TC2010-02M TL2000-02M	Used for: TC3000-03M TC3010-03M TW3000-03M TF3000-03M	Used for: TC4000-04M TC5000-10M TC4010-04M TC5010-10M TW4000-04M TW5000-10M TF4000-04M TF5000-10M

### Water cup & Oil cup

TL3000 Oil cup	TL4000 Oil cup	TF3000 自动排水水杯	TF4000 自动排水水杯
Used for: TC3000-03M TC3010-03M TL3000-03M	Used for: TC4000-04M TC5010-10M TC4010-04M TL5000-10M TL4000-04M TC5000-10M	Used for: TC3000-03DM TC3010-03DM TW3000-03DM TF3000-03DM	Used for: TC4000-04DM TC5000-10DM TC4010-04DM TC5010-10DM TW4000-04DM TW5000-10DM TF4000-04DM TF5000-10DM

### Diagram

Type	Image	Overall structure	应用范围 (水杯、油杯)
TR2000			TC2000-02 TC2010-02 TR2000-02 TW2000-02
TR3000			TC3000-03 TC3010-03 TR3000-03 TW3000-03
TR4000			TC4000-04 TC5000-10 TC4010-04 TC5010-10 TR4000-04 TR5000-10 TW4000-04 TW5000-10
GR2000			GR1500 GC1500 GR2000 GC2000 GR3000 GC3000 GR4000 GC4000 GFR1500 GFC1500 GFR2000 GFC2000 GFR3000 GFC3000 GFR4000 GFC4000

### Oil level glass

	Ordering code: TL2000-02 TL3000-03 TL4000-04 TL5000-10		Ordering code: GL3000 GL4000
--	--	--	------------------------------------

### Junction block



L Series

TC2000-02  
TC3000-03  
TC4000-04  
TC4000-06  
TC5000-10



T Series

TC2010-02  
TC3010-03  
TC4010-04  
TC4010-06  
TC5010-10



single eye Series

GC2000  
GC3000  
GC4000



Double eyes Series

GFC2000  
GFC3000  
GFC4000

### Filter element



Copper filter elements



Plastic filter elements

TF2000 TW2000 TF3000 TW3000  
TF4000 TW4000 TF5000 TW5000  
GF2000 GFR2000 GF3000 GFR3000  
GF4000 GFR4000





## FT Series Solenoid Valve



### ● Character

1. Be sure to check up the valve before installation.
2. Before installation, please confirm the voltage connection and direction of the air flow are right.
3. Notice to be dustproof. It's best to install a silencer or speed control silencer in front of solenoid valve.
4. Metal grain, dust and oil stain in pipes and fittings must be washed neatly before connected.

### ● Ordering Code

FT	25	1	1	—	06	C	L	AC220V
Series	Function	Connection Code	Control Form	Pipe Size	Working Mode	Plug Mode	Standard Voltage	
23 : 2 Positions/3Ports	25 : 2 Positions/5Ports	1 : 1/8	1 : Single	06 : G1/8	No Mark : 2 Positions	No Mark : Lead Wire	DC24V	
35 : 3 Positions/5Ports		2 : 1/4	Solenoid Operated	08 : G1/4	C : 3 Positions Closed Center	T : DIN Terminal	AC110V	
		3 : 3/8	2 : Double	10 : G3/8	E : 3 Positions Release Center		AC220V	
		4 : 1/2	Solenoid Operated	15 : G1/2	P : 3 Positions Pressed Center			
		6 : 3/4		20 : G3/4				
		8 : 1		25 : G1				

### ■ Solenoid specifications

Allowable Voltage Range		±10%
Insulated Grade		Class B or Equivalent
Response Time		0.05 Sec
Power Consumption	AC	Start : 5.6VA, Keep on : 5.4VA
	DC	4W
Surge Voltage Suppressor		AC:Varistor, DC:Diode
Indicator Light		Neon Light, LED

### ● FT Series Solenoid Valve.

It has the characteristics of low-consumption power and central exhaust of guiding valve and main valve, with small dimension, large flow, handsome shape, and quick action. It can be installed in integration, with good resistance to abrasion and long service life.

### ■ Technical Parameter

Specification		Item	Function	Pipe Size	Nominal Diameter (mm)	Applicable Medium	Applicable Pressure Range	Operating Method	Max Action Frequency	Lubrication	Medium Temperature
FT2321-08	FT2321-08L	2 Positions/ 3Ports	2 Positions/ 3Ports	G1/4	8	Air	0.15 ~ 0.9 MPa	Internally Piloted	5 Cycles/Sec	Needless	-5 ~ 60°C
FTS2511-06	FTS2511-06L										
FT2511-06	FT2512-06										
FT2521-08	FT2522-08										
FT2521-08L	FT2522-08L										
FT2531-10	FT2532-10										
FT2531-10L	FT2532-10L										
FT2541-15	FT2542-15										
FT2541-15L	FT2542-15L										
FT2561-20	FT2562-20										
FT2561-20L	FT2562-20L										
FT2581-25	FT2582-25										
FT2581-25L	FT2582-25L										
FT3512-06C	FT3512-06CL			3 Positions/ 5Ports	3 Positions/ 5Ports						
FT3522-08C	FT3522-08CL										
FT3532-10C	FT3532-10CL										
FT3542-15C	FT3542-15CL										
FT3562-20C	FT3562-20CL										
FT3582-25C	FT3582-25CL										

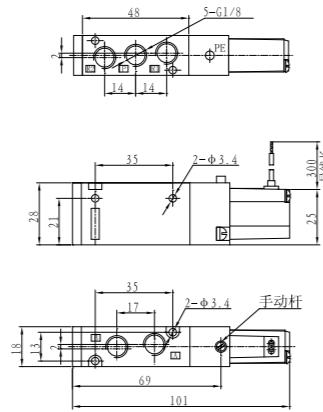
### FT Series Solenoid Valve

#### 2 Positions/5 Ports Solenoid Valve

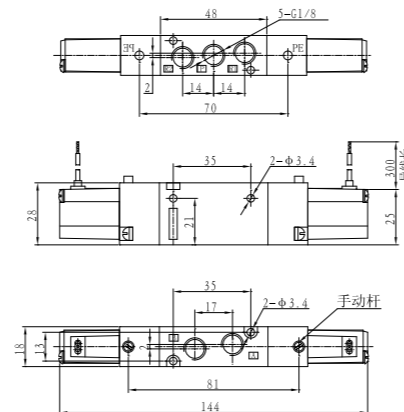
#### Figure Dimension



● FT2511-06



● FT2512-06

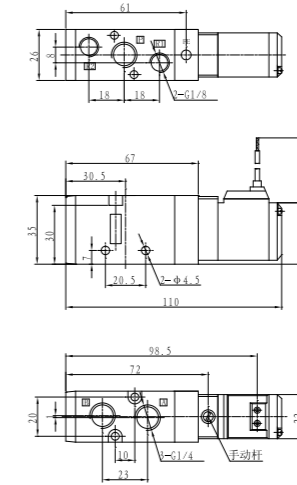


#### 2 Positions/5 Ports Solenoid Valve

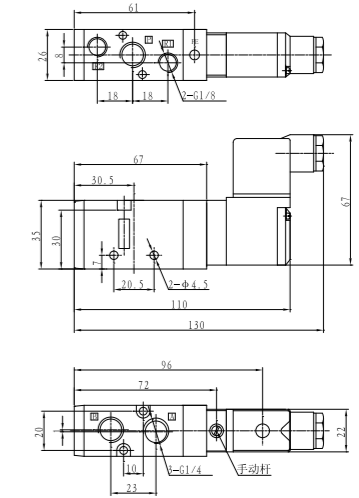
● FT2521-08



#### Lead Wire



#### DIN Terminal

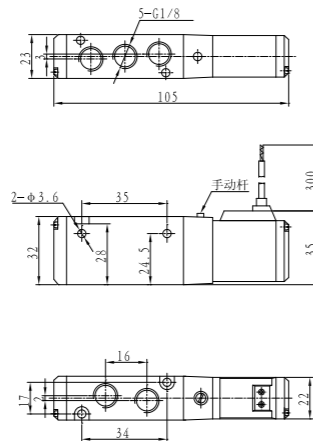


#### 2 Positions/5 Ports Solenoid Valve

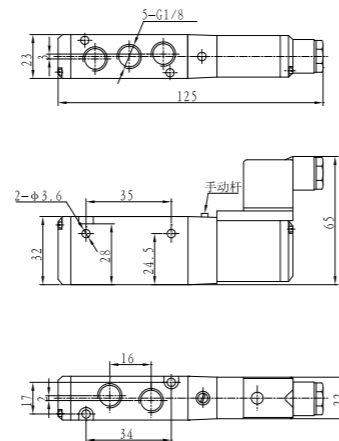
● FTS2511-06



#### Lead Wire

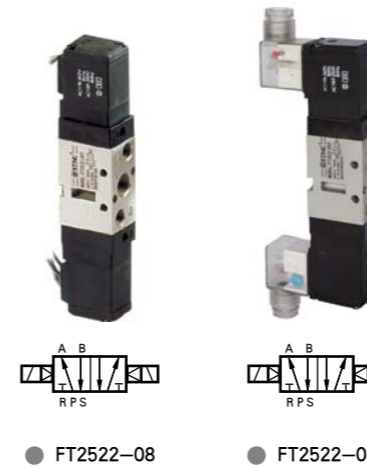


#### DIN Terminal

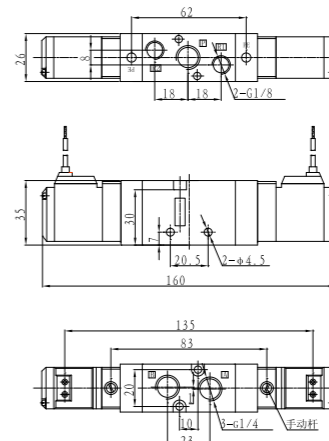


#### 2 Positions/5 Ports Solenoid Valve

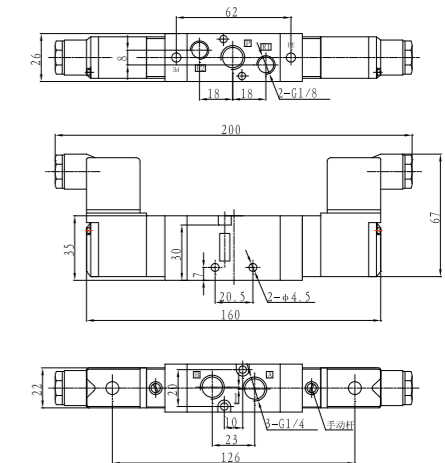
● FT2522-08



#### Lead Wire



#### DIN Terminal

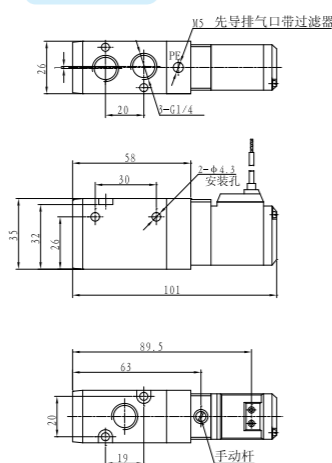


#### 2 Positions/3 Ports Solenoid Valve

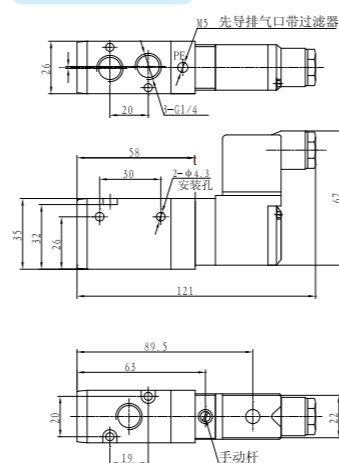
● FT2321-08



#### Lead Wire



#### DIN Terminal

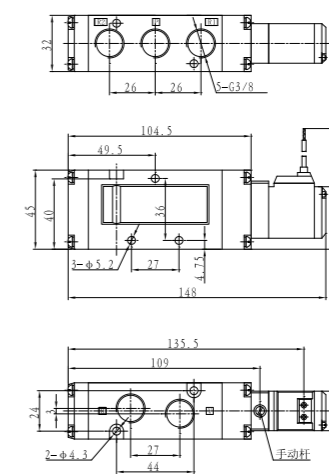


#### 2 Positions/5 Ports Solenoid Valve

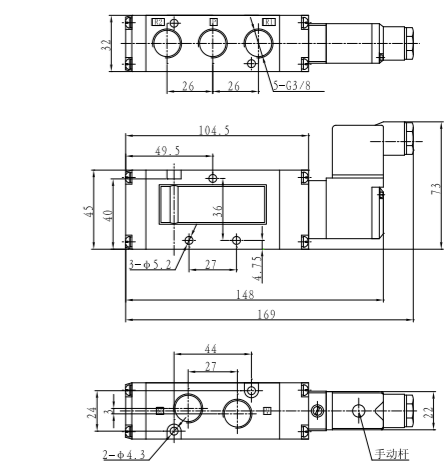
● FT2531-10



#### Lead Wire



#### DIN Terminal





### FT Series Solenoid Valve

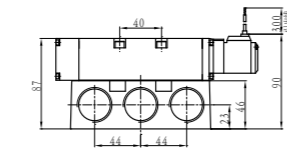
● character

Compact, high flow, beautiful appearance, quick action and good wear resistance and long service life.

#### 2 Positions/5 Ports Solenoid Valve

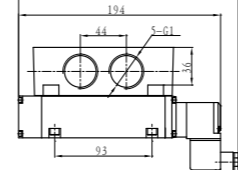
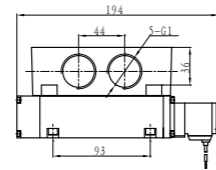
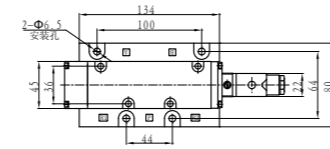
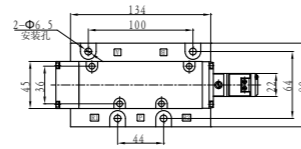
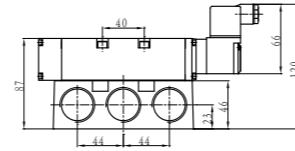
● FT2581-25

Lead Wire



● FT2581-25L

DIN Terminal



● FT2581-25

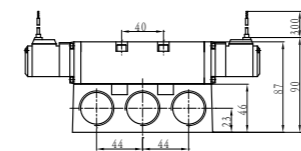


● FT2581-25L

#### 2 Positions/5 Ports Solenoid Valve

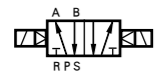
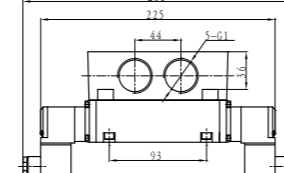
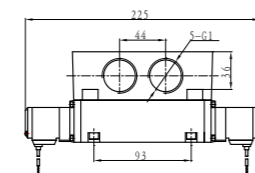
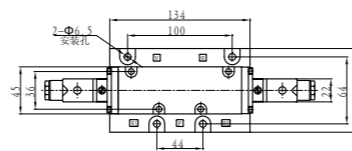
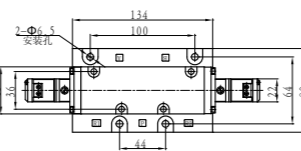
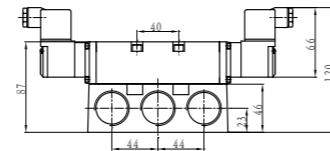
● FT2582-25

Lead Wire



● FT2582-25L

DIN Terminal



● FT2582-25



● FT2582-25L

### FT Series Solenoid Valve

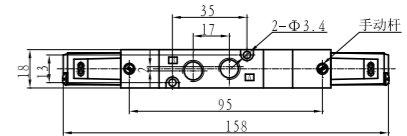
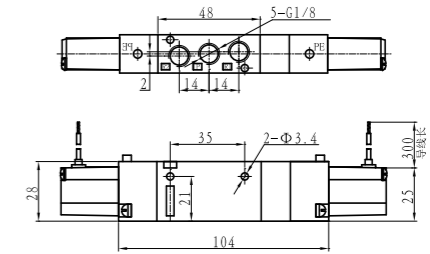
#### 3 Positions/5 Ports Solenoid Valve

● FT3512-06C

Lead Wire



● FT3512-06C



#### 3 Positions/5 Ports Solenoid Valve

● FT3522-08C

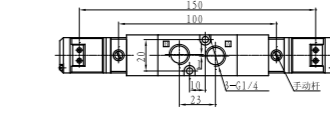
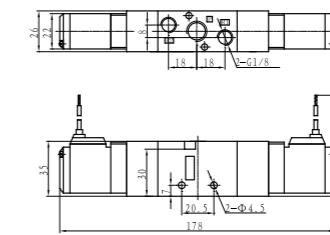
Lead Wire



● FT3522-08C

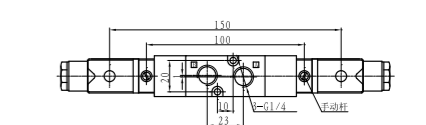
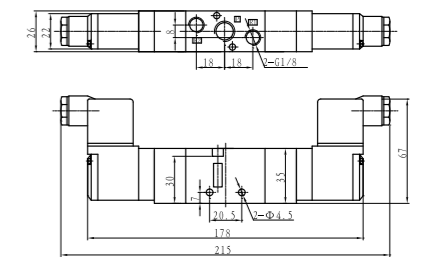


● FT3522-08CL



● FT3522-08CL

DIN Terminal



#### 3 Positions/5 Ports Solenoid Valve

● FT3532-10C

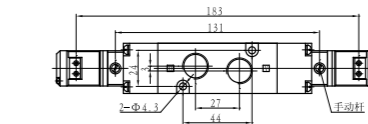
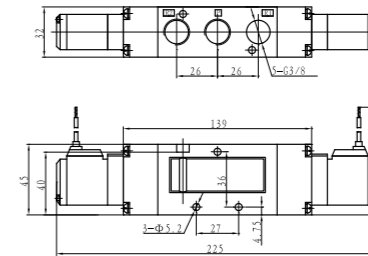
Lead Wire



● FT3532-10C

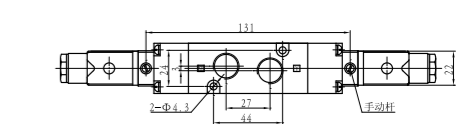
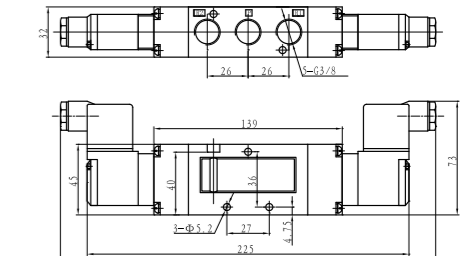


● FT3532-10CL

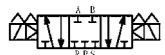


● FT3532-10CL

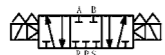
DIN Terminal



### 3 Positions/5 Ports Solenoid Valve



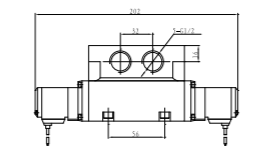
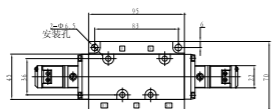
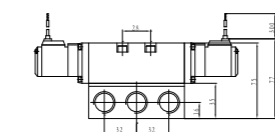
● FT3542-15C



● FT3542-15CL

● FT3542-15C

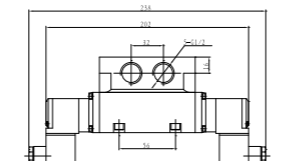
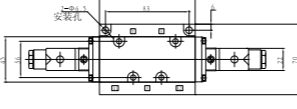
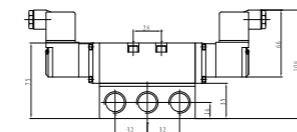
#### Lead Wire



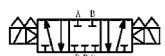
### FT Series Solenoid Valve

● FT3542-15CL

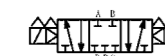
#### DIN Terminal



### 3 Positions/5 Ports Solenoid Valve



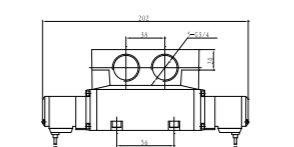
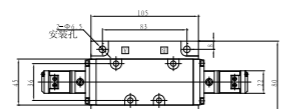
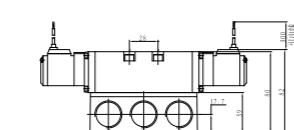
● FT3562-20C



● FT3562-20CL

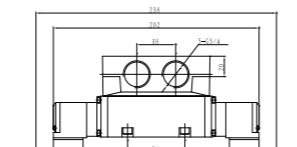
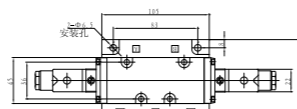
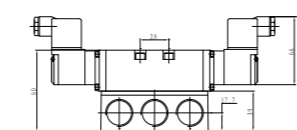
● FT3562-20C

#### Lead Wire

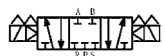


● FT3562-20CL

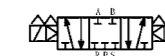
#### DIN Terminal



### 3 Positions/5 Ports Solenoid Valve



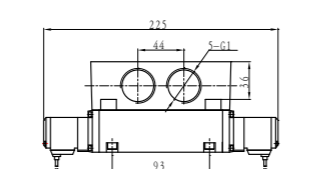
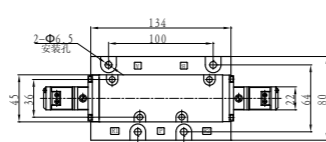
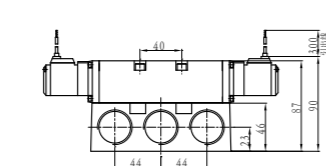
● FT3582-25C



● FT3582-25CL

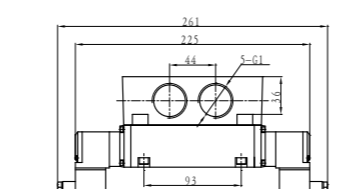
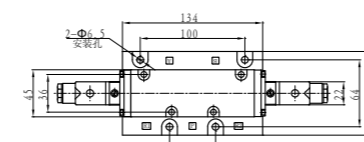
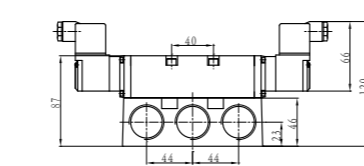
● FT3582-25C

#### Lead Wire



● FT3582-25CL

#### DIN Terminal



### FG Series Solenoid Valve



#### Character

It has the characteristics of low-consumption power and central exhaust of guiding valve and main valve, with small dimension, large flow, handsome shape, and quick action. It can be installed in integration, with good resistance to abrasion and long service life.

#### Ordering Code

FG	25	2	1	08	L	AC220V
Series	Function 25 : 2 Positions/5Ports	Connection Code 1: 1/8 2: 1/4 3: 3/8 4: 1/2 6: 3/4 8: 1	Control Form 1 : Single Solenoid Operated 2 : Double Solenoid Operated	Pipe size 06: G1/8 08 : G1/4 10 : G3/8 15: G1/2 20: G3/4 25: G1	Plug Mode No Mark : Lead Wire L: DIN Terminal with Light	Standard Voltage DC24V AC110V AC220V

#### Solenoid specifications

Allowable Voltage Range	±10%	
Insulated Grade	Class B or Equivalent	
Response Time	0.05 Sec	
Power Consumption	AC	Start : 5.6VA, Keep on : 5.4VA
	DC	4W
Surge Voltage Suppressor	AC: Varistor, DC: Diode	
Indicator Light	Neon Light, LED	

#### Maintenance Notice

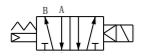
1. Be sure to check up the valve before installation.
2. Before installation, please confirm the voltage connection and direction of the air flow are right.
3. Notice to be dustproof. It's best to install a silencer or speed control silencer in front of solenoid valve.
4. Metal grain, dust and oil stain in pipes and fittings must be washed neatly before connected.

#### Technical Parameter

Specification	Item	Function	Pipe Size	Nominal Diameter (mm)	Applicable Medium	Applicable Pressure Range	Operating Method	Max Action Frequency	Lubrication	Medium Temperature
FG2511-06	FG2512-06	2 Positions/5Ports	G1/8	6	Air	0.15 ~ 0.9 MPa	Internally Piloted	5 Cycles/Sec	Needless	-5 ~ 60°C
FG2521-08	FG2521-08L		G1/4	8						
FG2522-08	FG2522-08L		G1/4	8						
FG2531-10	FG2531-10L		G3/8	10						
FG2532-10	FG2532-10L		G3/8	10						
FG2541-15	FG2541-15L		G1/2	15						
FG2542-15	FG2542-15L		G1/2	15						
FG2561-20	FG2561-20L		G3/4	20						
FG2562-20	FG2562-20L		G3/4	20						
FG2581-25	FG2581-25L		G1	25						
FG2582-25	FG2582-25L	G1	25							

### FG Series Solenoid Valve

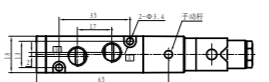
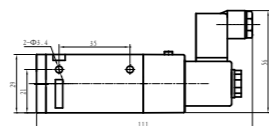
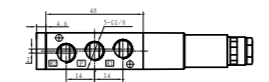
#### 2 Positions/5 Ports Solenoid Valve



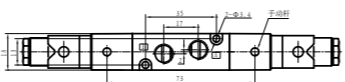
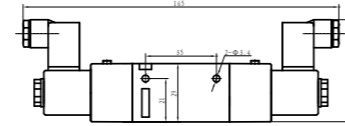
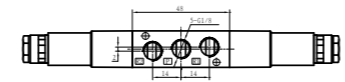
● FG2511-06

● FG2512-06

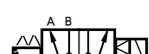
● FG2511-06



● FG2512-06



#### 2 Positions/5 Ports Solenoid Valve

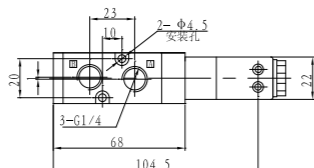
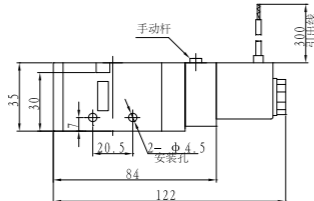
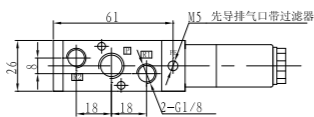


● FG2521-08

● FG2521-08L

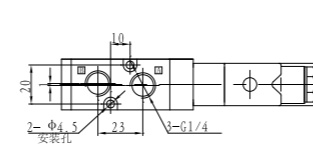
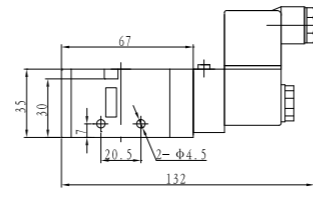
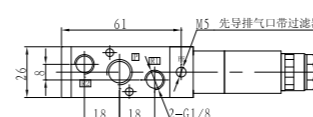
● FG2521-08

#### Lead Wire



● FG2521-08L

#### DIN Terminal



#### 2 Positions/5 Ports Solenoid Valve

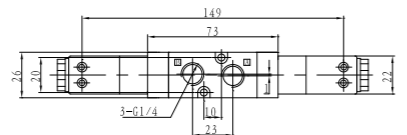
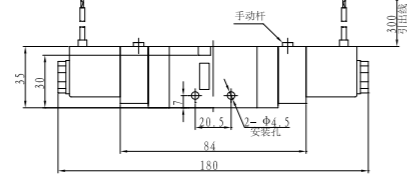
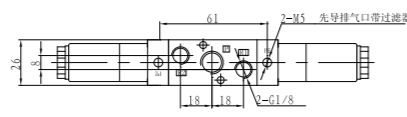


● FG2522-08

● FG2522-08L

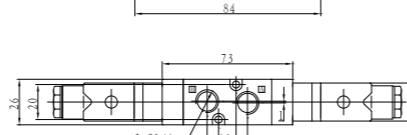
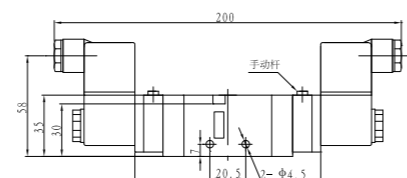
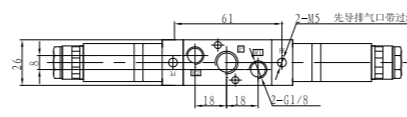
● FG2522-08

#### Lead Wire



● FG2522-08L

#### DIN Terminal



### FG Series Solenoid Valve

#### 2 Positions/5 Ports Solenoid Valve

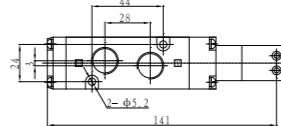
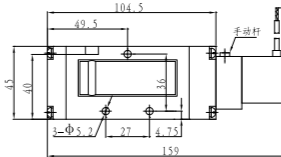
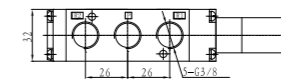


● FG2531-10

● FG2531-10L

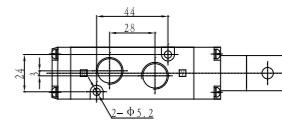
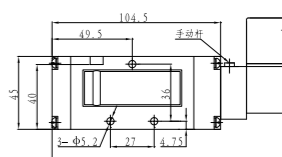
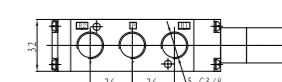
● FG2531-10

#### Lead Wire



● FG2531-10L

#### DIN Terminal



#### 2 Positions/5 Ports Solenoid Valve

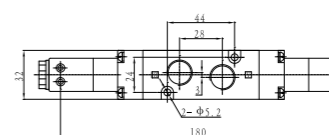
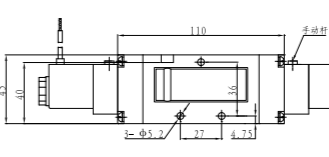
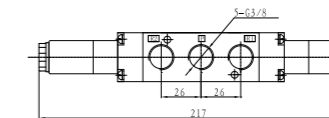


● FG2532-10

● FG2532-10L

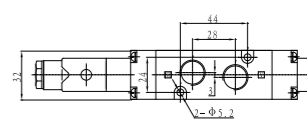
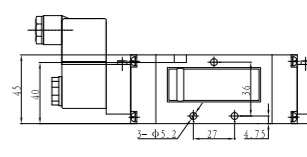
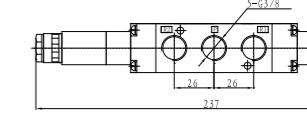
● FG2532-10

#### Lead Wire

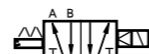


● FG2532-10L

#### DIN Terminal



#### 2 Positions/5 Ports Solenoid Valve

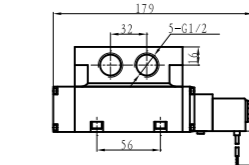
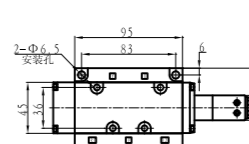
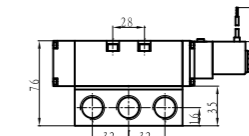


● FG2541-15

● FG2541-15L

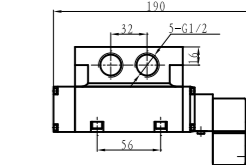
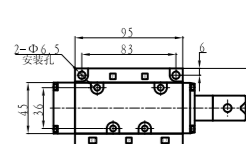
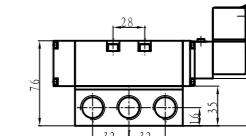
● FG2541-15

#### Lead Wire



● FG2541-15L

#### DIN Terminal



### FG Series Solenoid Valve

#### 2 Positions/5 Ports Solenoid Valve



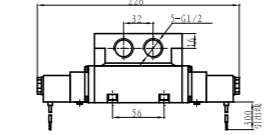
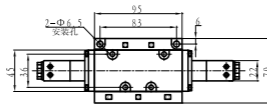
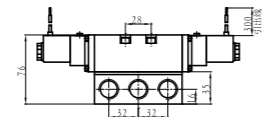
● FG2542-15



● FG2542-15L

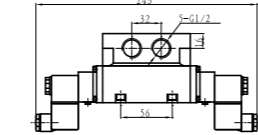
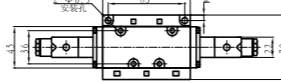
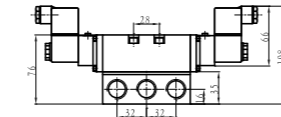
● FG2542-15

#### Lead Wire



● FG2542-15L

#### DIN Terminal



### FG Series Solenoid Valve

#### character

Compact, high flow, beautiful appearance, quick action and good wear resistance and long service life.

#### 2 Positions/5 Ports Solenoid Valve



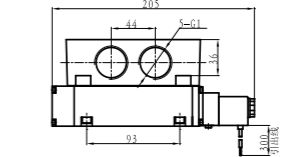
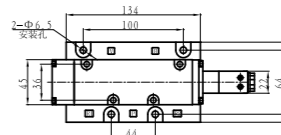
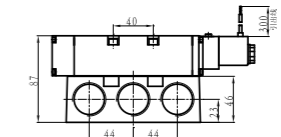
● FG2581-25



● FG2581-25L

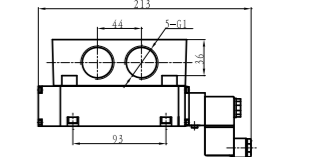
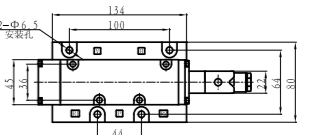
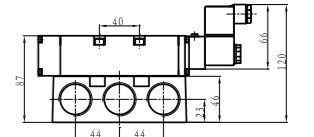
● FG2581-25

#### Lead Wire



● FG2581-25L

#### DIN Terminal



#### 2 Positions/5 Ports Solenoid Valve



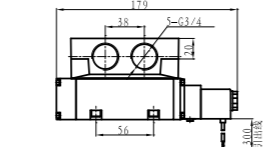
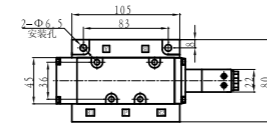
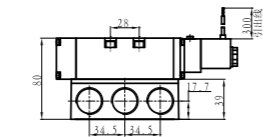
● FG2561-20



● FG2561-20L

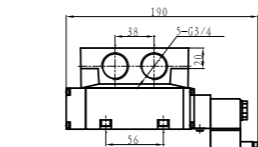
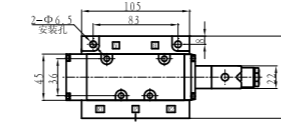
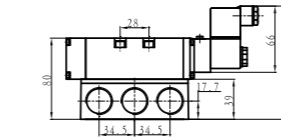
● FG2561-20

#### Lead Wire

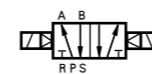


● FG2561-20L

#### DIN Terminal



#### 2 Positions/5 Ports Solenoid Valve



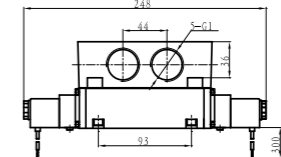
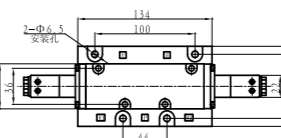
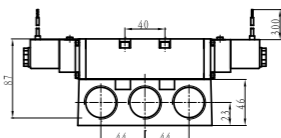
● FG2582-25



● FG2582-25L

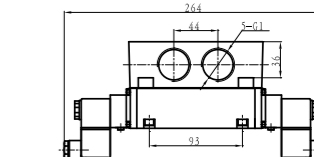
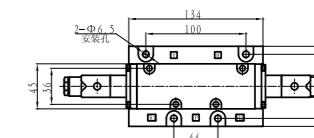
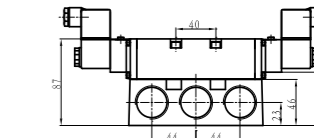
● FG2582-25

#### Lead Wire



● FG2582-25L

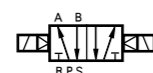
#### DIN Terminal



#### 2 Positions/5 Ports Solenoid Valve



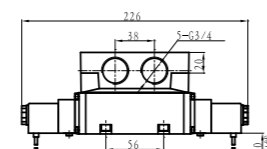
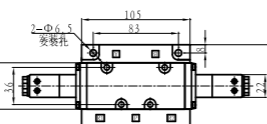
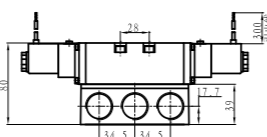
● FG2562-20



● FG2562-20L

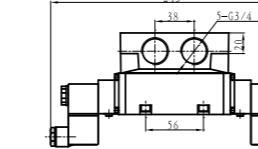
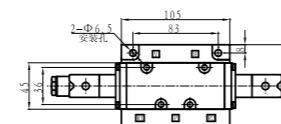
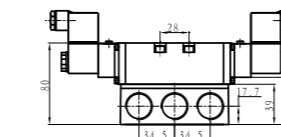
● FG2562-20

#### Lead Wire



● FG2562-20L

#### DIN Terminal



### FT Series Air Valve

#### Character

It is a derivative product from FT Series electric control valve. This valve is in novel design, simple structure, quick action and easy operation. It is controlled by pneumatic signal with higher safety, applicable to inflammable and explosive places. It is an ideal direction control element.

#### Ordering Code

<b>FT</b>	<b>25</b>	<b>1</b>	<b>1A</b>	<b>06</b>
Series	Function 25 : 2 Positions/5Ports	Connection Code 1 : 1/8 2 : 1/4 3 : 3/8 4 : 1/2 6 : 3/4 8 : 1	Control Form 1A : Single Air Operated 2A : Double Air Operated	Pipe size 06 : G1/8 08 : G1/4 10 : G3/8 15 : G1/2 20 : G3/4 25 : G1

#### Technical Parameter

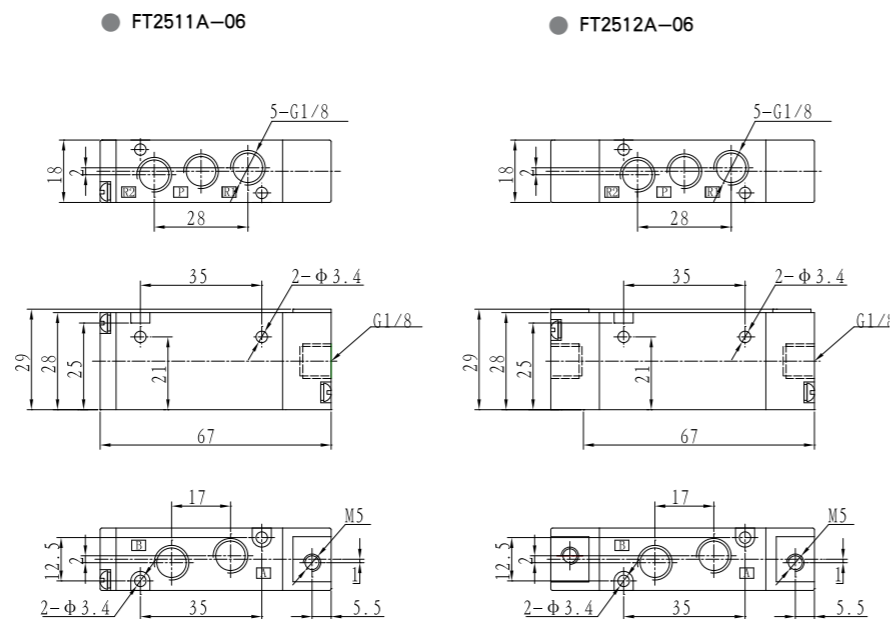
Specification	Item	Function	Pipe size	Nominal Diameter (mm)	Applicable Medium	Applicable Pressure Range	Control Method	Max Action Frequency	Lubrication	Medium Temperature
FT2511A-06 FT2512A-06	2 Positions / 5Ports		G1/8	6	Air	0.15 ~ 0.9 MPa	Gas control	6 Cycles/Sec	Needless	-5 ~ 60°C
FT2521A-08 FT2522A-08			G1/4	8						
FT2531A-10 FT2532A-10			G3/8	10						
FT2541A-15 FT2542A-15			G1/2	15						
FT2561A-10 FT2562A-10			G3/4	20						
FT2581A-15 FT2582A-15			G1	25						

#### Figure Dimension

##### 2 Positions/5 Ports Air Valve

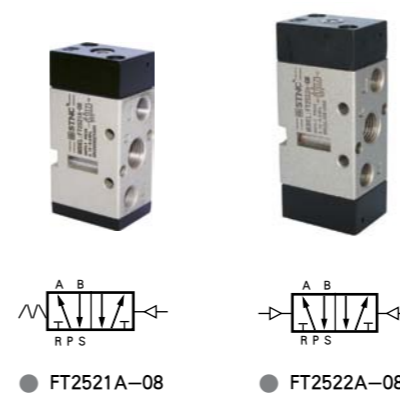


● FT2511A-06 ● FT2512A-06



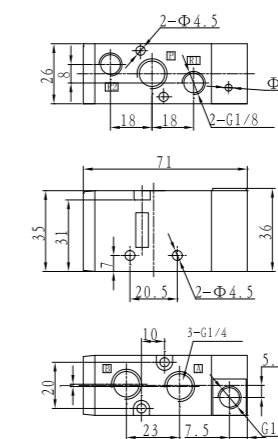
### FT Series Air Valve

##### 2 Positions/5 Ports Air Valve

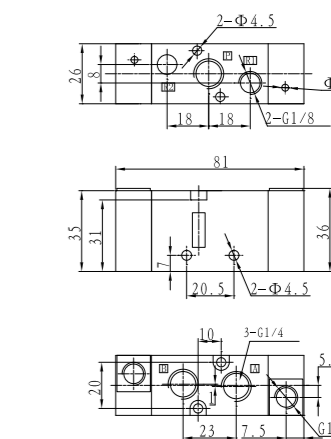


● FT2521A-08 ● FT2522A-08

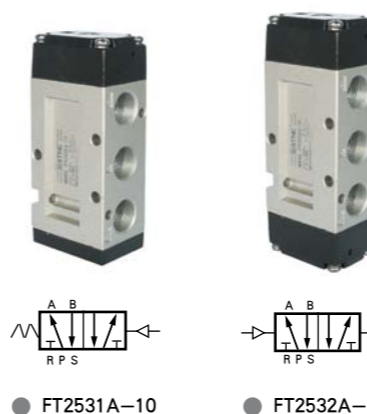
##### ● FT2521A-08



##### ● FT2522A-08

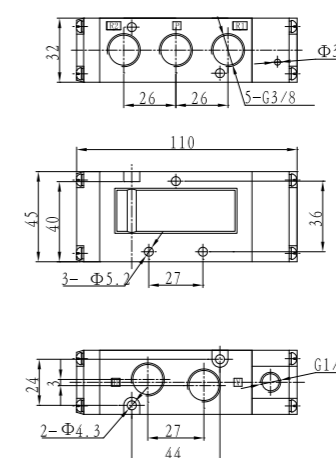


##### 2 Positions/5 Ports Air Valve

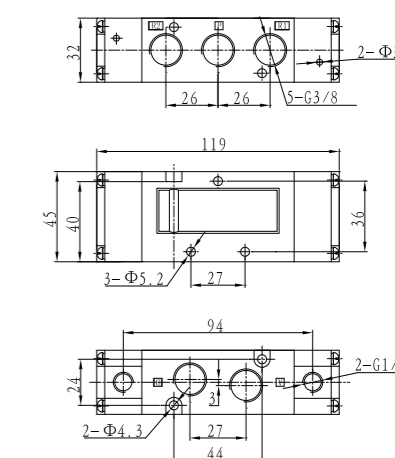


● FT2531A-10 ● FT2532A-10

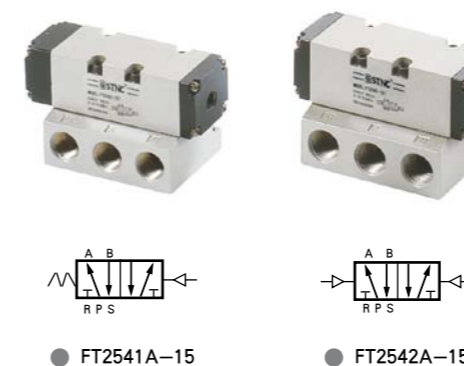
##### ● FT2531A-10



##### ● FT2532A-10

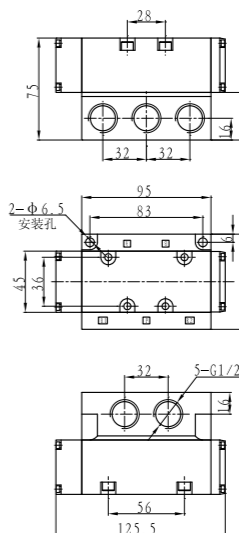


##### 2 Positions/5 Ports Air Valve

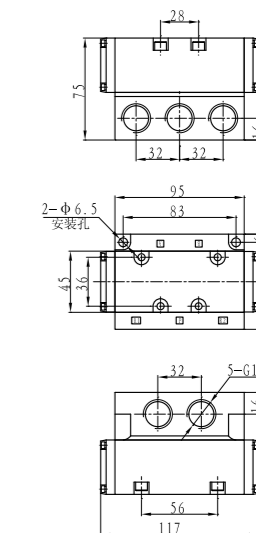


● FT2541A-15 ● FT2542A-15

##### ● FT2541A-15



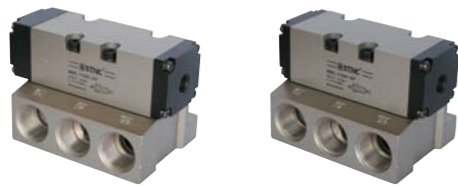
##### ● FT2542A-15





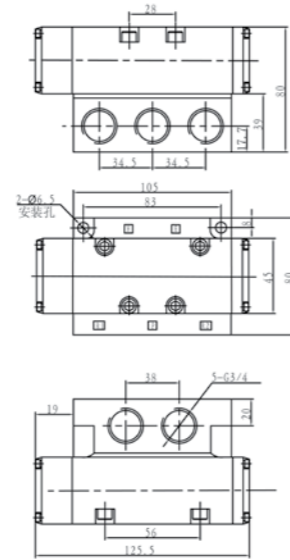
### FT Series Air Valve

#### 2 Positions/5 Ports Air Valve

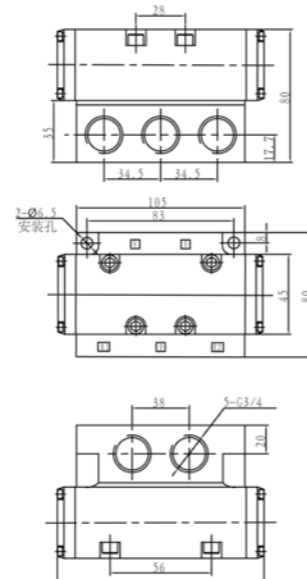


● FT2561A-20      ● FT2562A-20

● FT2561A-20



● FT2562A-20

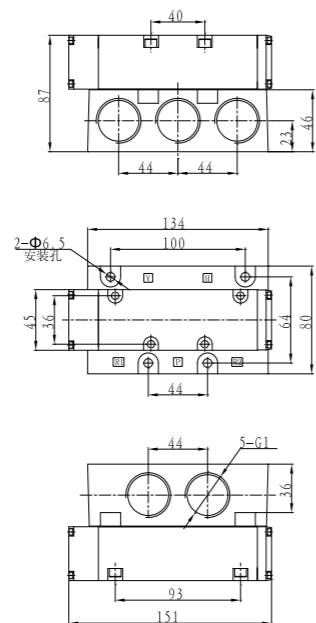


#### 2 Positions/5 Ports Air Valve

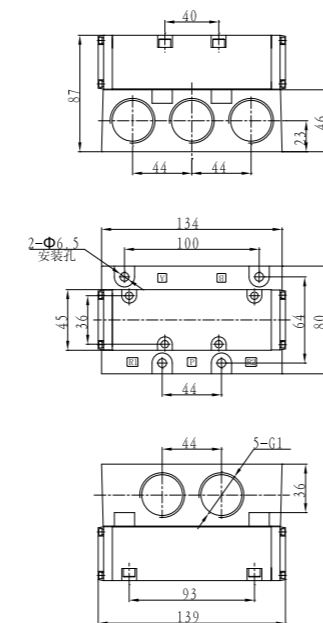


● FT2581A-25      ● FT2582A-25

● FT2581A-25



● FT2582A-25



### FT, FG Series Manifold

#### Ordering Code

<b>F</b>	<b>100</b>	<b>5T</b>
Series	Specification	T : Number of Connector
	100	100 : 1-16
	200	200 : 1-16
	230	230 : 1-16
	300	300 : 1-16



● F100-5T



● F200-5T



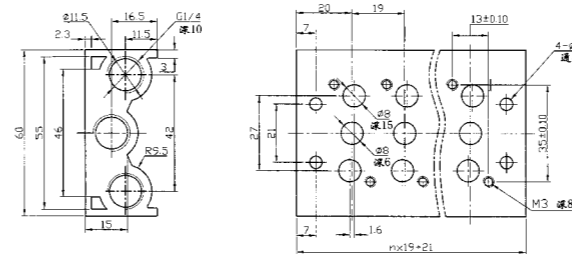
● F230-5T



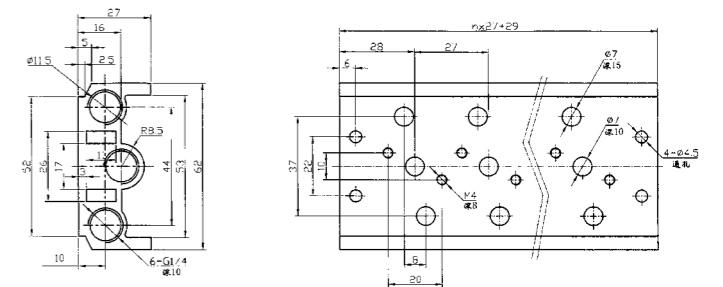
● F300-5T

#### Figure Dimension

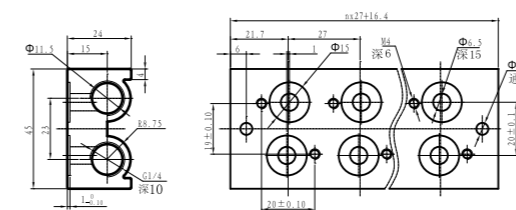
● F100-5T



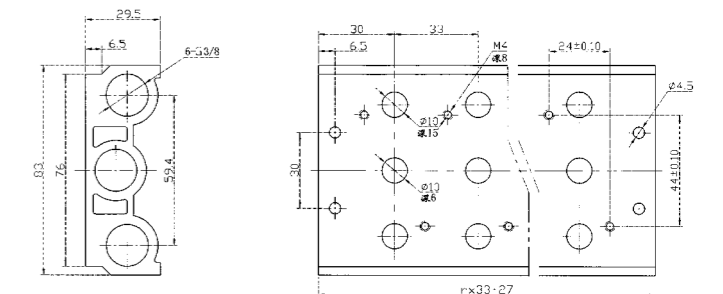
● F200-5T



● F230-5T



● F300-5T



### FY Series Solenoid Valve

#### Character

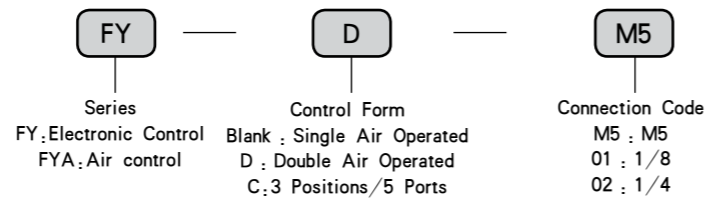
It has the characteristics of low-consumption power and central exhaust of guiding valve and main valve, with small dimension, large flow, handsome shape, and quick action. It can be installed in integration, with good resistance to abrasion and long service life.



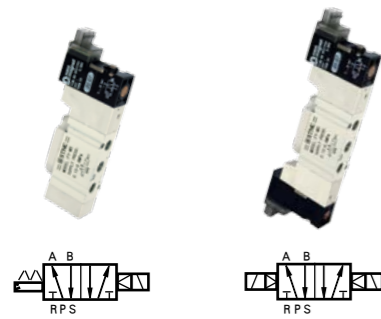
#### Maintenance Notice:

1. Be sure to check up the valve before installation.
2. Before installation, please confirm the voltage connection and direction of the air flow are right.
3. Notice to be dustproof. It's best to install a silencer or speed control silencer in front of solenoid valve.
4. Metal grain, dust and oil stain in pipes and fittings must be washed neatly before connected.

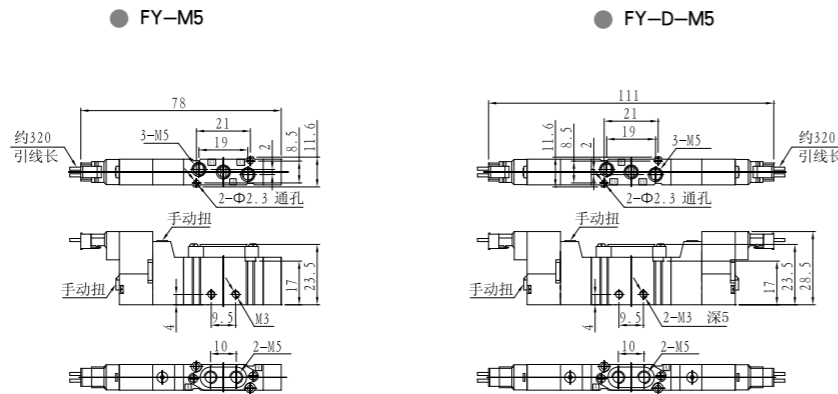
#### Ordering Code



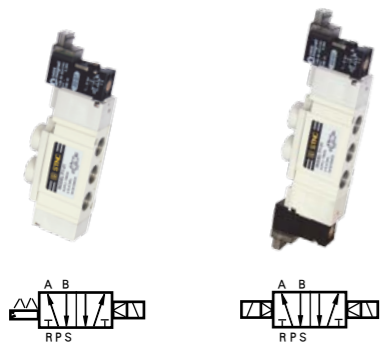
### 2 Positions/5 Ports Solenoid Valve



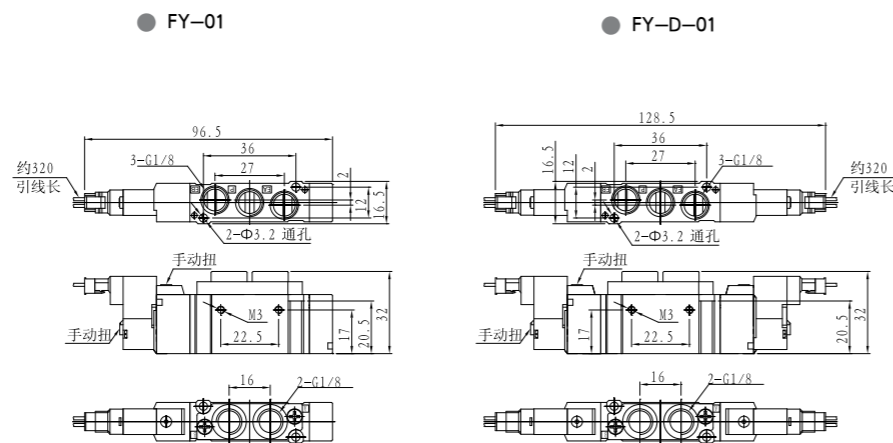
● FY-M5      ● FY-D-M5



### 2 Positions/5 Ports Solenoid Valve

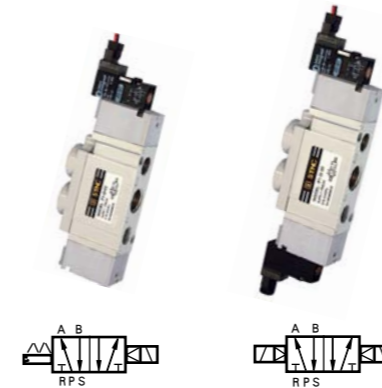


● FY-01      ● FY-D-01

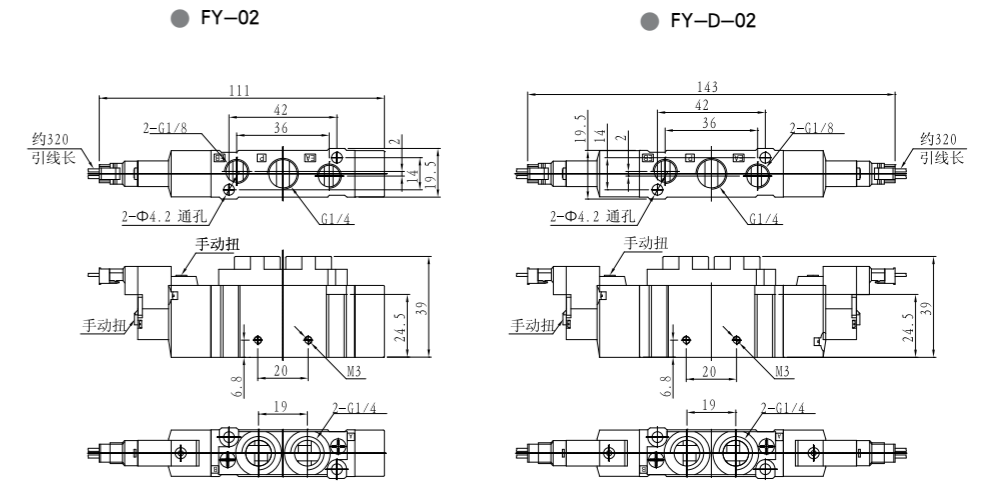


### FY Series Solenoid Valve/Air Valve

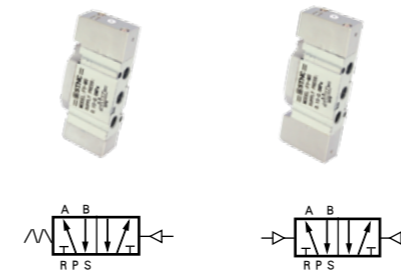
### 2 Positions/5 Ports Solenoid Valve



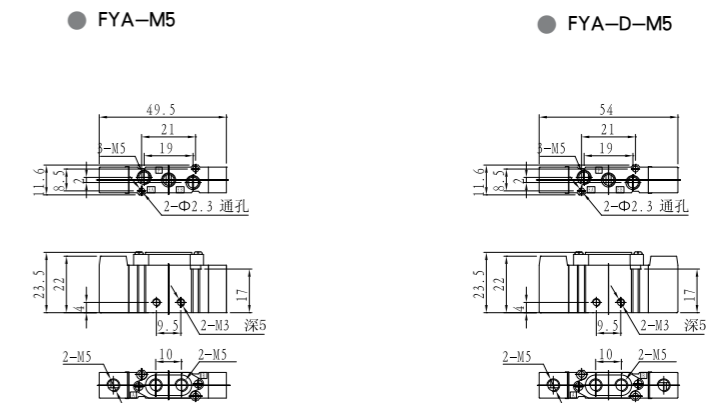
● FY-02      ● FY-D-02



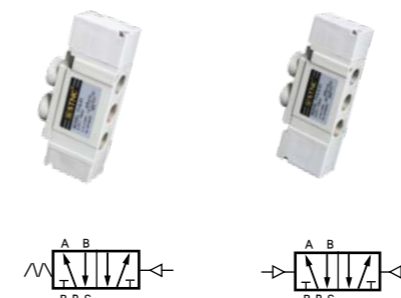
### 2 Positions/5 Ports Air Valve



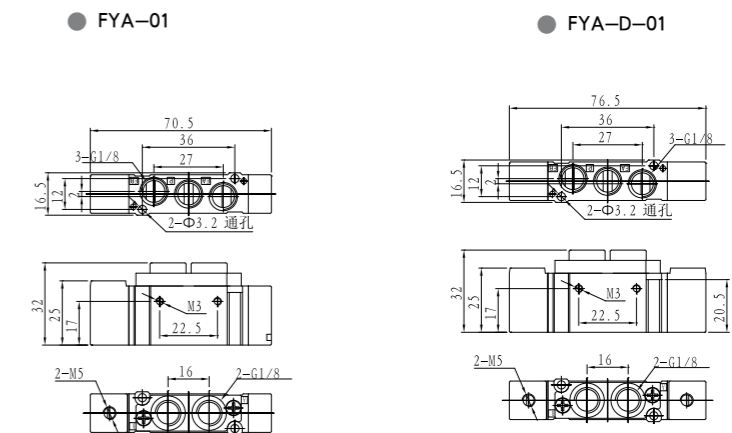
● FYA-M5      ● FYA-D-M5



### 2 Positions/5 Ports Air Valve

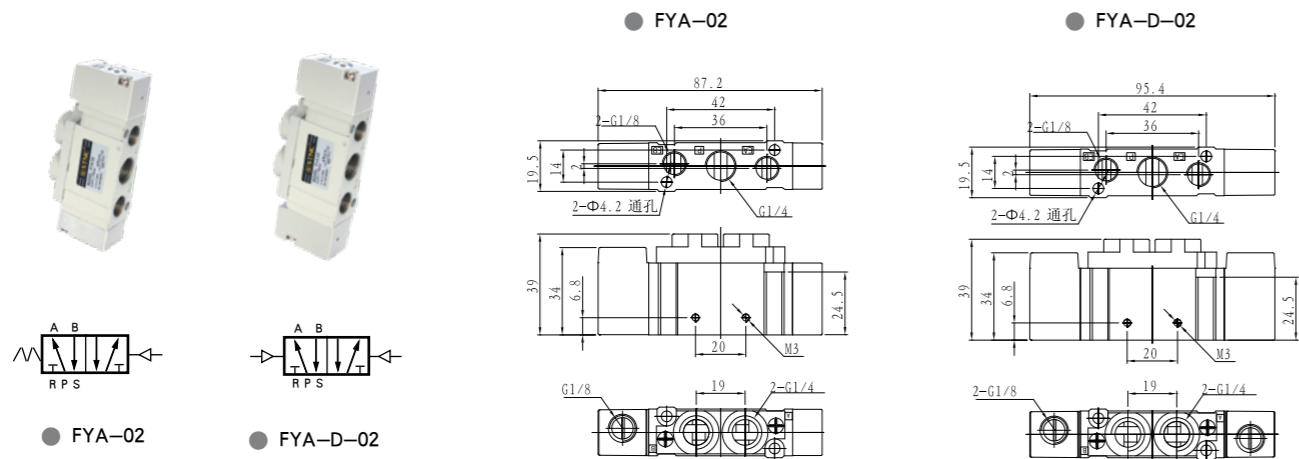


● FYA-01      ● FYA-D-01

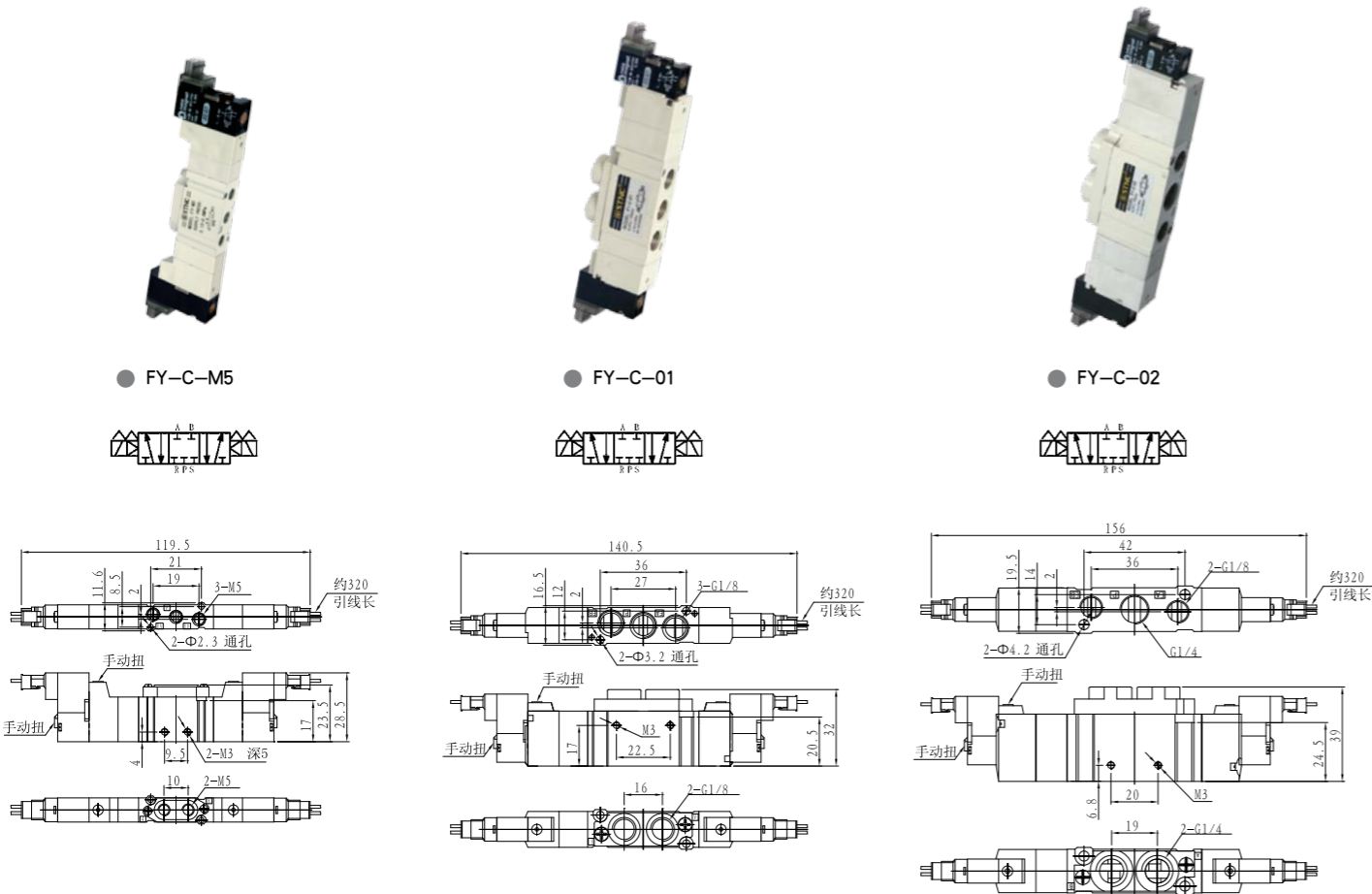


### FY Series Solenoid Valve/Air Valve

#### 2 Positions/5 Ports Air Valve

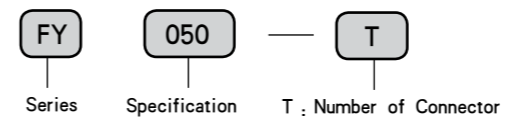


#### 3 Positions/5 Ports Solenoid Valve



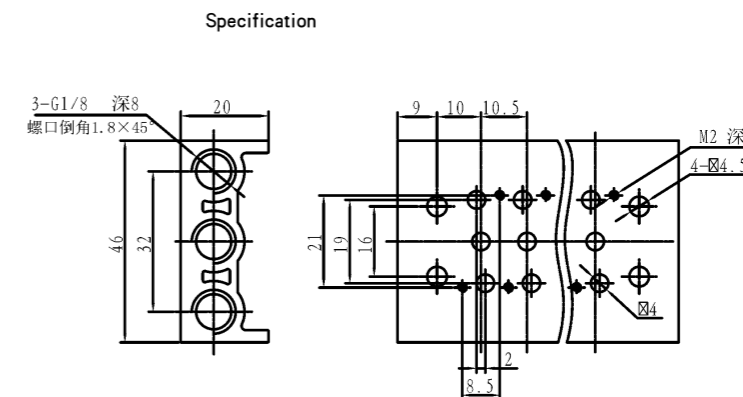
### FY Series Manifold

#### ● Ordering Code



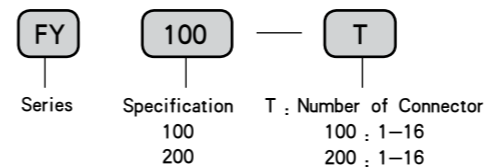
● FY-M5

#### ■ Figure Dimension



### FY Series Manifold

#### ● Ordering Code

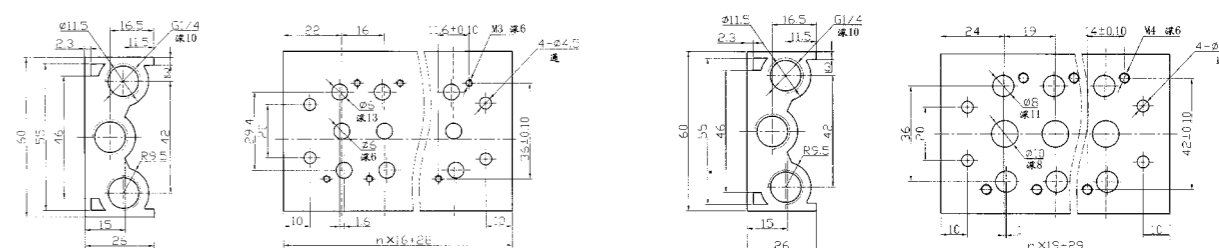


● FY100



● FY200

#### ■ Figure Dimension



TG Series Solenoid Valve



● Character

It is a pneumatic valve controlled by micro electric signal, with small dimension, large flow, handsome shape, reliable performance and long service life. It can be installed in integration. It is an ideal directional control element, applicable to the electromechanical integration. There are multiple specifications for your choice.

● Ordering Code

TG	25	1	1	06	C	AC220V
Series	Function	Connection Code	Control Form	Pipe Size	Working Mode	Standard Voltage
23 : 2 Positions/3Ports 25 : 2 Positions/5Ports 35 : 3 Positions/5Ports	1 : 1/8 2 : 1/4 3 : 3/8 4 : 1/2	1 : Single Solenoid Operated 2 : Double Solenoid Operated 1F : Die Cast Single Solenoid Operated 2F : Die Cast Single Solenoids Operated	06 : G1/8 08 : G1/4 10 : G3/8 15 : G1/2	No Mark : 2 Positions C : 3 Positions Closed Center E : 3 Positions Release Center P : 3 Positions Pressed Center	DC24V AC110V AC220V	

■ Solenoid specifications

Allowable Voltage Range	±10%	
Insulated Grade	Class B or Equivalent	
Response Time	0.05 Sec	
Power Consumption	AC	Start : 5.6VA, Keep on : 5.4VA
	DC	4W
Surge Voltage Suppressor	AC:Varistor, DC:Diode	
Indicator Light	Neon Light, LED	

● Maintenance Notice:

1. Be sure to check up the valve before installation.
2. Before installation, please confirm the voltage connection and direction of the air flow are right.
3. Notice to be dustproof. It's best to install a silencer or speed control silencer in front of solenoid valve.
4. Metal grain, dust and oil stain in pipes and fittings must be washed neatly before connected.

■ Technical Parameter

Specification	Item	Function	Pipe Size	Nominal Diameter (mm)	Applicable Medium	Applicable Pressure Range	Operating Method	Max Action Frequency	Lubrication	Medium Temperature
TG2311-06	2 Positions/3Ports		G1/8	6	Air	0.15 ~ 0.8 MPa	Internally Piloted	5 Cycles/Sec	Needless	-5 ~ 60°C
TG2321-08			G1/4	8						
TG2331-10			G3/8	10						
TG2341-15			G1/2	15						
TG2511-06 TG2512-06	2 Positions/5Ports		G1/8	6						
TG2521-08 TG2522-08			G1/4	8						
TG2531-10 TG2532-10			G3/8	10						
TG2541-15 TG2542-15			G1/2	15						
TG2511F-06 TG2512F-06			G1/8	6						
TG2521F-08 TG2522F-08			G1/4	8						
TG2531F-10 TG2532F-10			G3/8	10						
TG2541F-15 TG2542F-15			G1/2	15						
TG3512-06C, E, P	3 Positions/5Ports		G1/8	6	Air	0.2 ~ 0.8 MPa	Internally Piloted	3 Cycles/Sec	Needless	-5 ~ 60°C
TG3522-08C, E, P			G1/4	8						
TG3532-10C, E, P			G3/8	10						
TG3542-15C, E, P			G1/2	15						

### TG Series Solenoid Valve

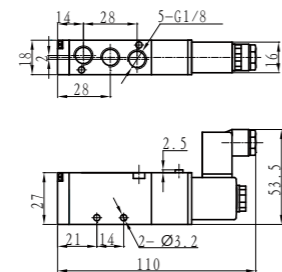
#### 2 Positions/5 Ports Solenoid Valve

#### Figure Dimension

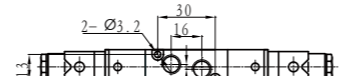
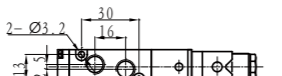
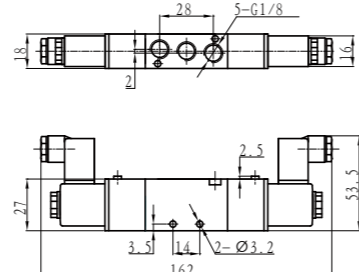


● TG2511-06      ● TG2512-06

● TG2511-06



● TG2512-06



### TG Series Solenoid Valve

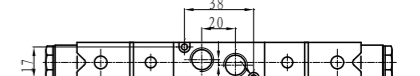
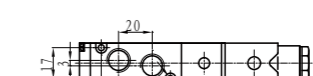
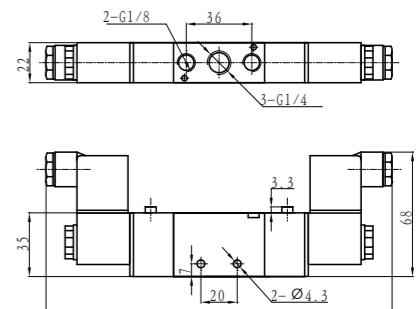
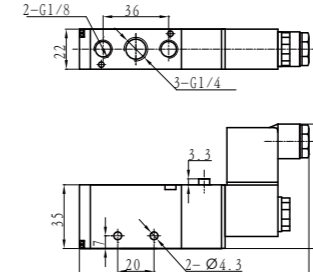
#### 2 Positions/5 Ports Solenoid Valve

● TG2521-08

● TG2522-08



● TG2521-08      ● TG2522-08  
TG2521-06      TG2522-06



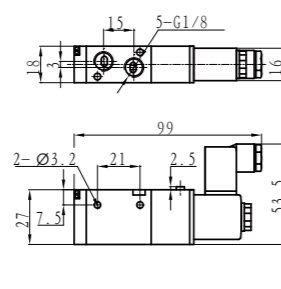
#### 2 Positions/3 Ports Solenoid Valve

#### Figure Dimension

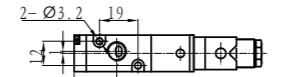
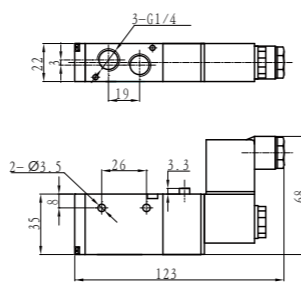


● TG2311-06      ● TG2321-08

● TG2311-06



● TG2321-08



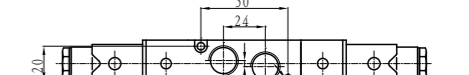
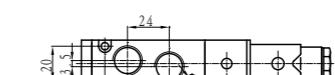
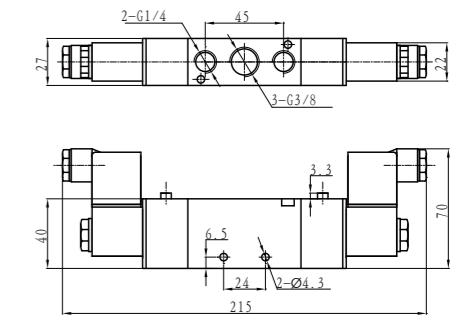
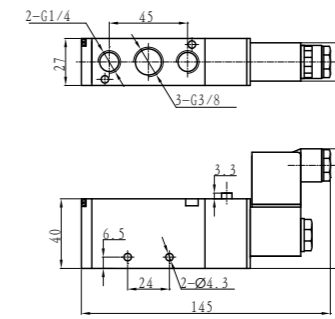
#### 2 Positions/5 Ports Solenoid Valve

● TG2531-10

● TG2532-10



● TG2531-10      ● TG2532-10  
TG2531-08      TG2532-08



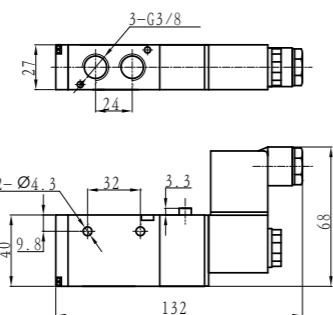
#### 2 Positions/3 Ports Solenoid Valve

#### Figure Dimension

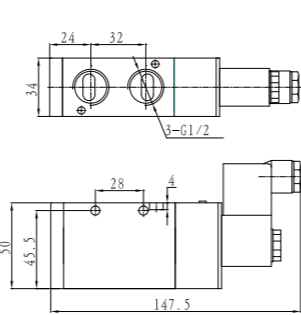


● TG2331-10      ● TG2341-15

● TG2331-10



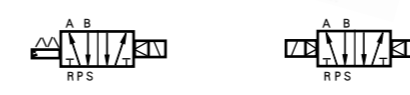
● TG2341-15



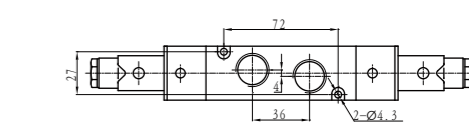
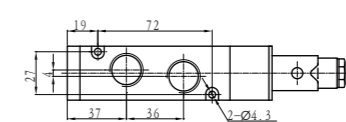
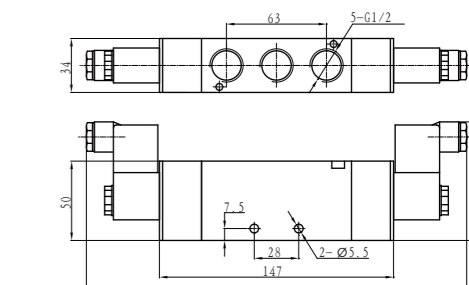
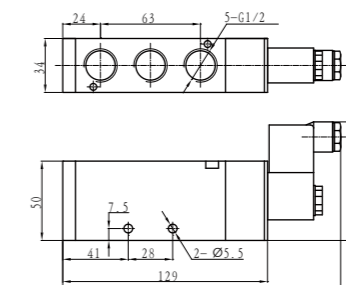
#### 2 Positions/5 Ports Solenoid Valve

● TG2541-15

● TG2542-15



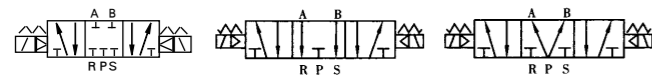
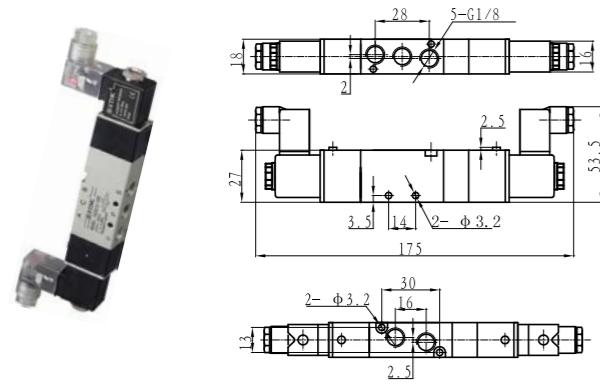
● TG2541-15      ● TG2542-15



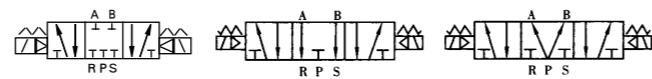
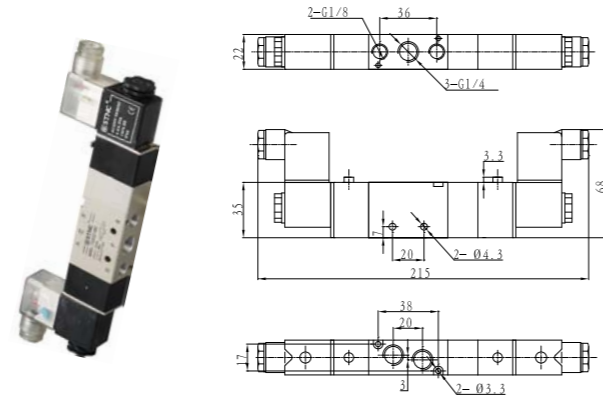


### TG Series Solenoid Valve

#### 3 Positions/5 Ports Solenoid Valve

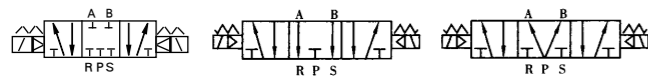
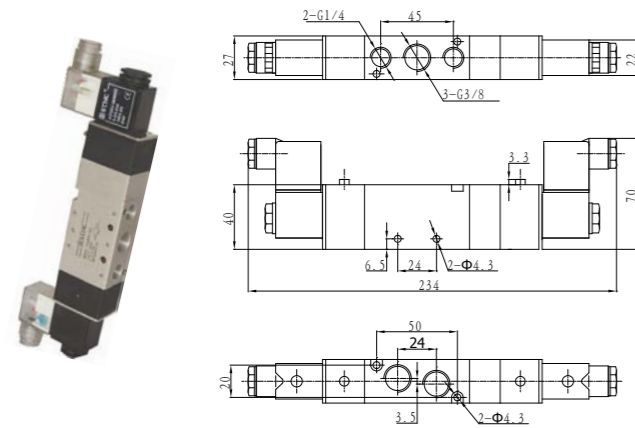


- TG3512-06C
- TG3512-06E
- TG3512-06P

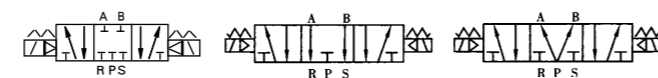
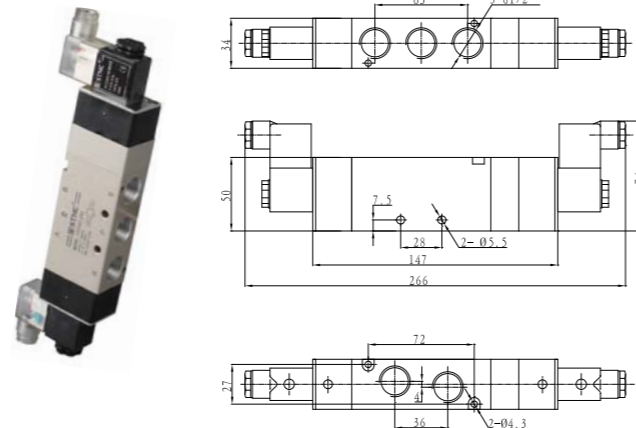


- TG3522-08C
- TG3522-08E
- TG3522-08P

#### 3 Positions/5 Ports Solenoid Valve



- TG3532-10C
- TG3532-10E
- TG3532-10P



- TG3542-15C
- TG3542-15E
- TG3542-15P

### TG Series Board Solenoid Valve

#### 2 Positions/5 Ports Board Solenoid Valve



- TG2521-08M
- TG2522-08M
- TG2531-10M
- TG2532-10M
- TG2541-15M
- TG2542-15M

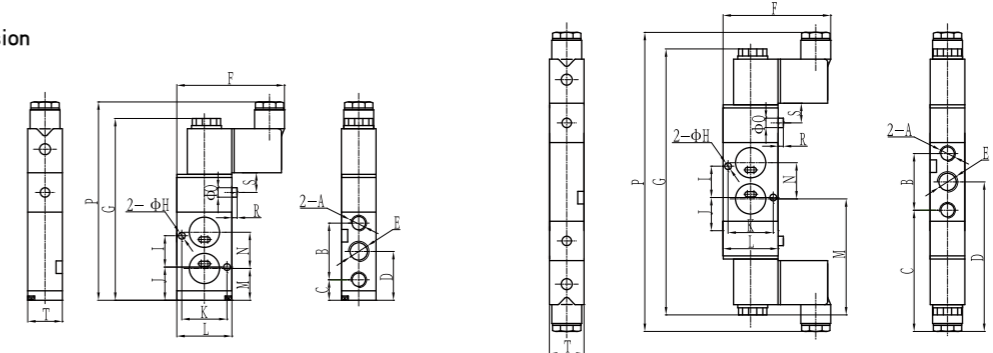
#### Ordering Code

<b>TG</b>	<b>25</b>	<b>2</b>	<b>1</b>	<b>08</b>	<b>M</b>	<b>AC220V</b>
Series	Function 25 : 2 Positions/5Ports	Connection Code 2 : 1/4 3 : 3/8 4 : 1/2	Control Form 1 : Single Solenoid Operated 2 : Double Solenoid Operated	Pipe Size 08 : G1/4 10 : G3/8 15 : G1/2	Installation Way M : Board Solenoid Valve	Standard Voltage DC24V AC110V AC220V

#### Technical Parameter

Item	Function	Pipe Size	Nominal Diameter (mm)	Applicable Medium	Applicable Pressure Range	Operating Method	Max Action Frequency	Lubrication	Medium Temperature
TG2521-08M	2 Positions /5Ports	G1/4	8	Air	0.15 ~ 0.8 MPa	Internally Piloted	5 Cycles/Sec	Needless	-5 ~ 60°C
TG2522-08M		G1/4	8						
TG2531-10M		G3/8	10						
TG2532-10M		G3/8	10						
TG2541-15M		G1/2	15						
TG2542-15M		G1/2	15						

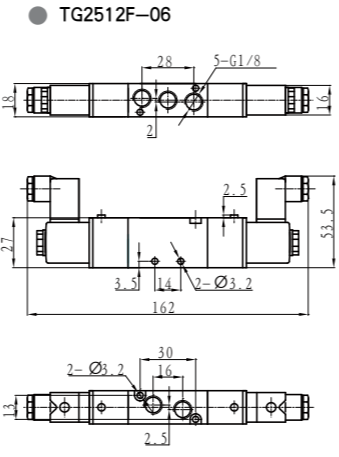
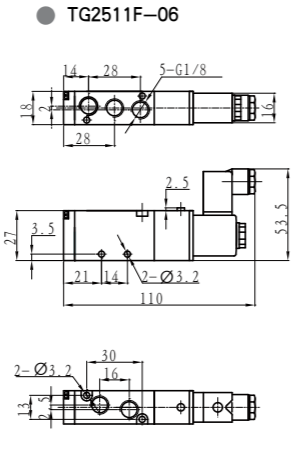
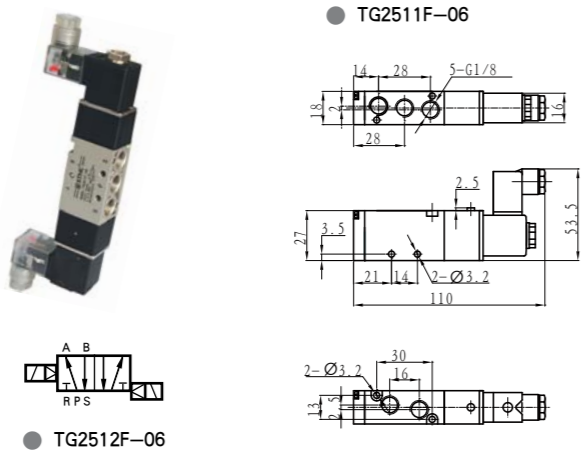
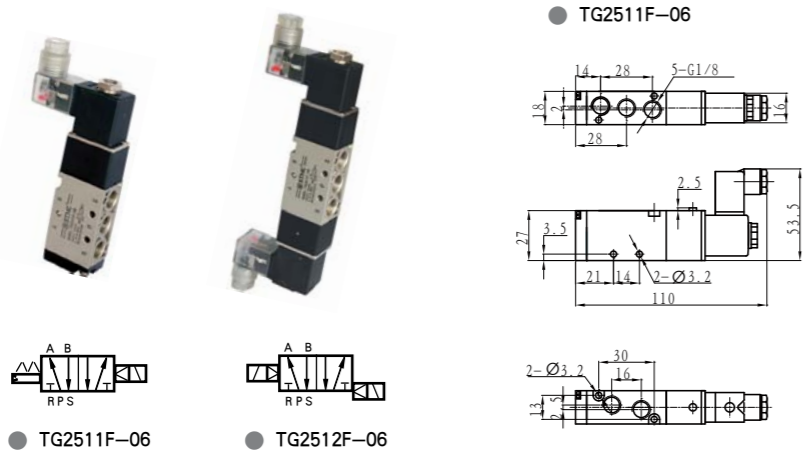
#### Figure Dimension



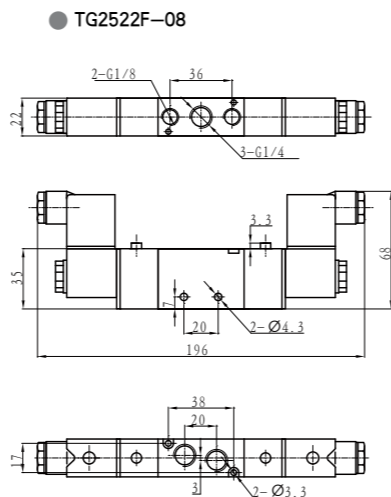
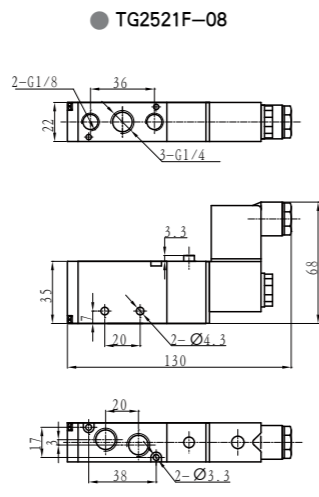
Type	A	B	C	D	E	F	G	H	I	J	K	L	M	N	P	Q	R	S	T
TG2521-08M	G1/8	36	13.7	31.7	G1/4	66.5	119	4.3	20	21.7	29	35	20.2	23	130	4	1	11	22
TG2522-08M	G1/8	36	67	85	G1/4	66.5	176	4.3	20	75	29	35	73.5	23	196	4	1	11	22
TG2531-10M	G1/4	45	17	39.5	G3/8	69	138	5.2	24	27.5	32	40	29	24	145	4	1	11	27
TG2532-10M	G1/4	45	72	94.5	G3/8	69	195	5.2	24	83.75	32	40	82.5	24	215	4	1	11	27
TG2541-15M	G1/2	63	22.5	52	G1/2	75	166	5.5	32	38	42	50	35.5	37	178	4	1	11	34
TG2542-15M	G1/2	63	77	112.5	G1/2	75	225	5.5	32	94.5	42	50	92	37	247	4	1	11	34

### TG Series Die Cast Solenoid Valve

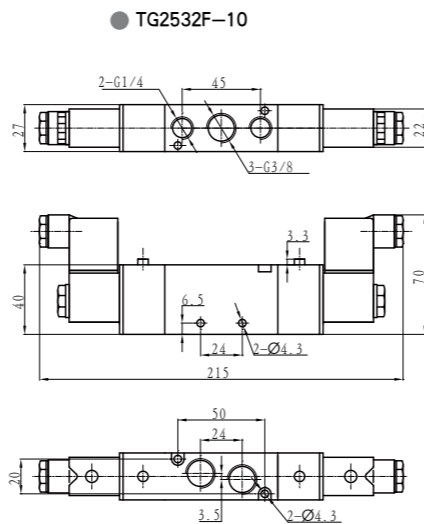
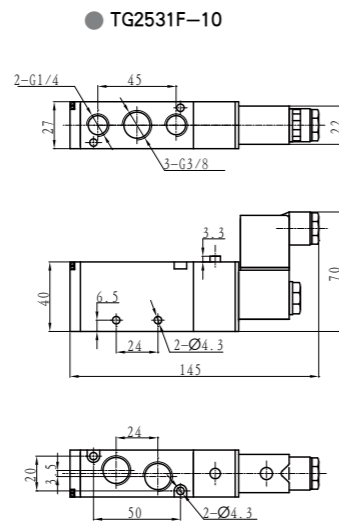
#### Die Cast 2 Positions/5 Ports Solenoid Valve



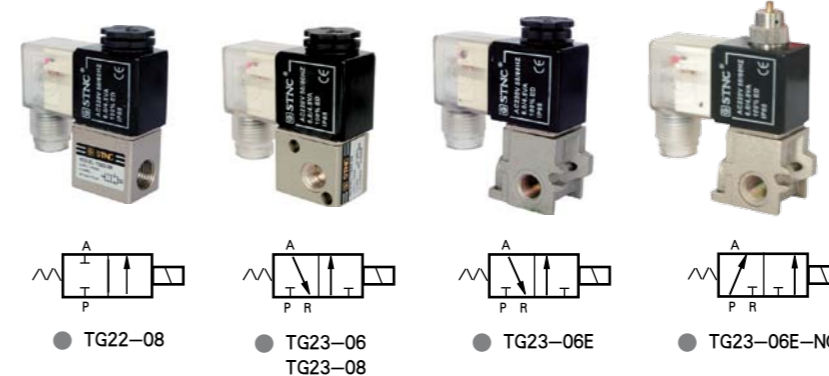
#### Die Cast 2 Positions/5 Ports Solenoid Valve



#### Die Cast 2 Positions/5 Ports Solenoid Valve



### 2 Positions/2 Ports, 2 Positions/3 Ports Solenoid Valve



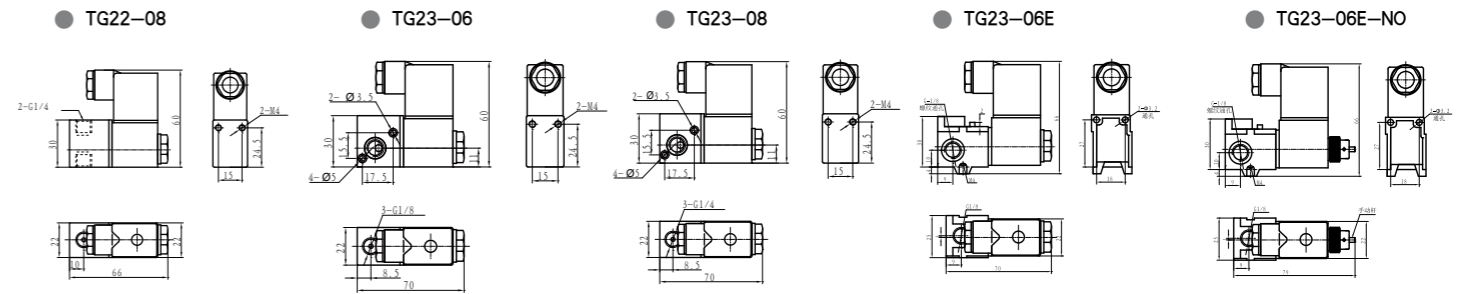
● Ordering Code

TG	22	08	AC220V
Series	Function	Pipe Size	Standard Voltage
22 : 2 Positions/2 Ports	23 : 2 Positions/3 Ports	06 : G1/8 08 : G1/4	DC24V AC110V AC220V

#### Technical Parameter

Item	Function	Pipe Size	Nominal Diameter (mm)	Applicable Medium	Applicable Pressure Range	Operating Method	Max Action Frequency	Lubrication	Medium Temperature
TG22-08	2 Positions/2Ports	G1/4	2.5	Air	0 ~ 0.8MPa	Internally Piloted	5 Cycles/Sec	Needless	-5 ~ 60°C
TG23-06		G1/8	1.2						
TG23-08	2 Positions/3Ports	G1/4	1.2						
TG23-06E		G1/8	1.2						
TG23-06E-NO		G1/8	1.2						

#### Figure Dimension

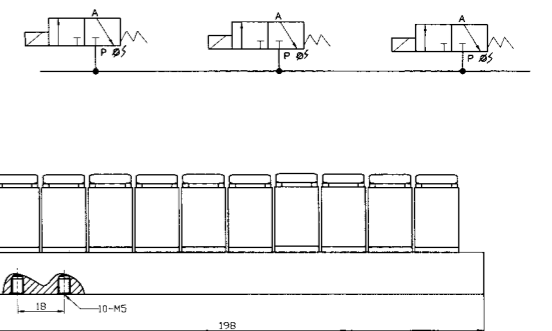


#### Ordering Code

TG2311D	10F
Series	Mainfold no.



#### TG2311D-10F Weaving Combined Valve



Item	Model	Structure	Prot Size	Port Size (mm)	Medium	Working Pressure	Action	Frequency	Lubrication	Temperature	Voltage
TG2311D-10F		2 way 3 Position	M5	0.8	Air	0 ~ 0.6 MPa	Directact	5 Cycles/sec	No Oil	-5°C ~ 50°C	DC24V



### TG Series Air Valve

#### Character

It is controlled by pneumatic signal, applicable to the places where the existence of power source is forbidden. The product is in simple structure, with reliable performance and easy operation. It is widely applied to the inflammable and explosive places such as coal hill, mine, natural gas, etc. There are multiple specifications for your choice.

#### Ordering Code

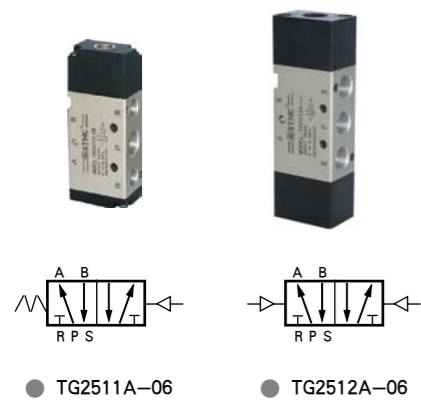
<b>TG</b>	<b>25</b>	<b>1</b>	<b>1A</b>	<b>06</b>	<b>C</b>
Series	Function	Connection Code	Control Form	Pipe Size	Working Mode
	25 : 2 Positions/5Ports 35 : 3 Positions/5Ports	1 : 1/8 2 : 1/4 3 : 3/8 4 : 1/2	1A : Single Air Operated 2A : Double Air Operated	06 : G1/8 08 : G1/4 10 : G3/8 15 : G1/2	No Mark : 2 Positions C : 3 Positions Closed Center E : 3 Positions Release Center P : 3 Positions Pressed Center

#### Technical Parameter

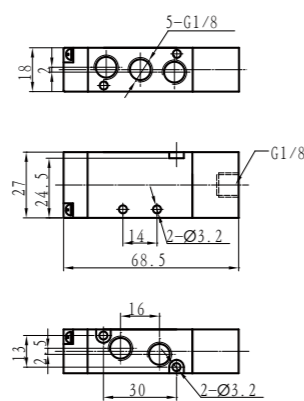
Item Specification	Function	Pipe Size	Nominal Diameter (mm)	Applicable Medium	Applicable Pressure Range	Operating Method	Max Action Frequency	Lubrication	Medium Temperature
TG2511A-06	2 Positions/5Ports	G1/8	6	Air	0.15 ~ 0.8 MPa	Internally Piloted	5 Cycles/Sec	Needless	-5 ~ 60°C
TG2512A-06		G1/8	6						
TG2521A-08		G1/4	8						
TG2522A-08		G1/4	8						
TG2531A-10		G3/8	10						
TG2532A-10		G3/8	10						
TG2541A-15		G1/2	15						
TG2542A-15	G1/2	15							
TG3512A-06C.E.P	3 Positions/5Ports	G1/8	6	Air	0.2 ~ 0.8 MPa	Internally Piloted	3 Cycles/Sec	Needless	-5 ~ 60°C
TG3522A-08C.E.P		G1/4	8						
TG3532A-10C.E.P		G3/8	10						
TG3542A-15C.E.P		G1/2	15						

#### Figure Dimension

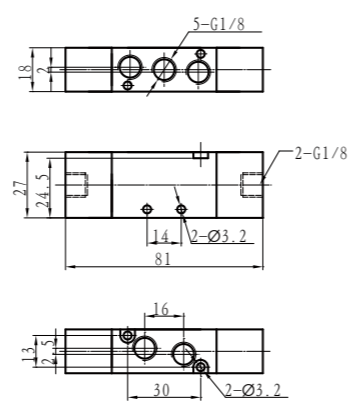
##### 2 Positions/5 Ports Air Valve



##### TG2511A-06

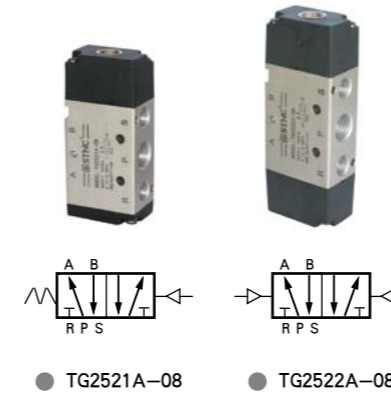


##### TG2512A-06

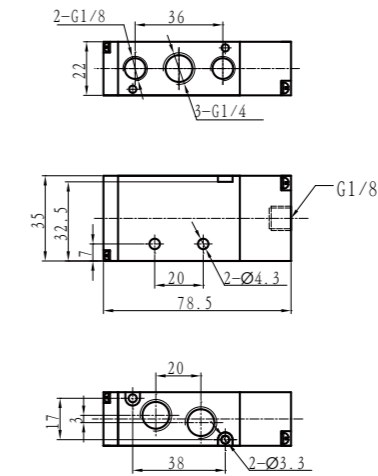


### TG Series Air Valve

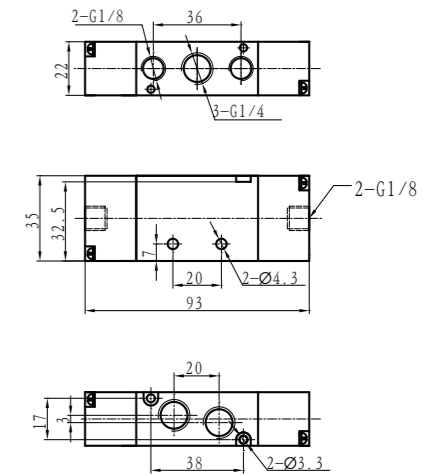
#### 2 Positions/5 Ports Air Valve



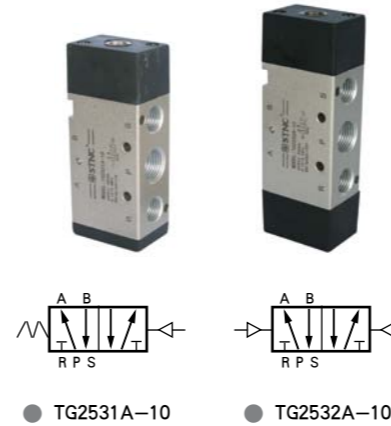
##### TG2521A-08



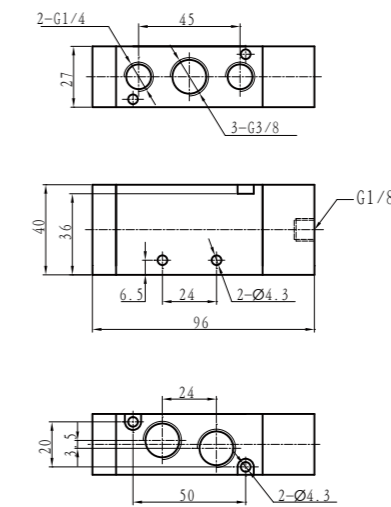
##### TG2522A-08



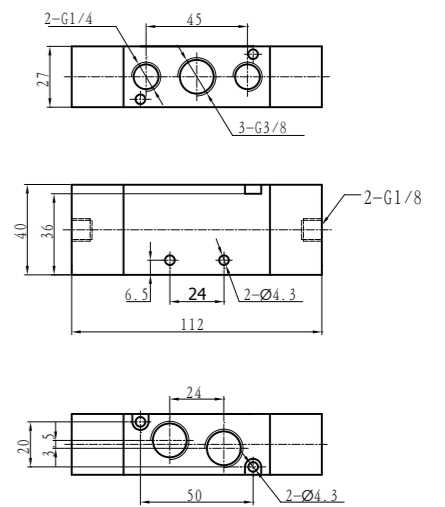
#### 2 Positions/5 Ports Air Valve



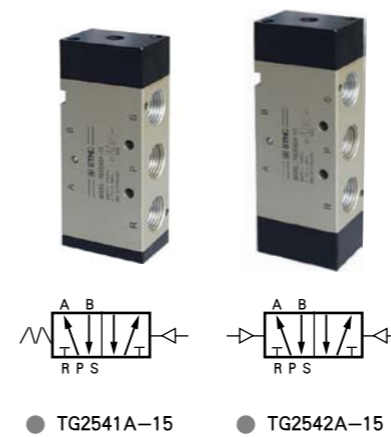
##### TG2531A-10



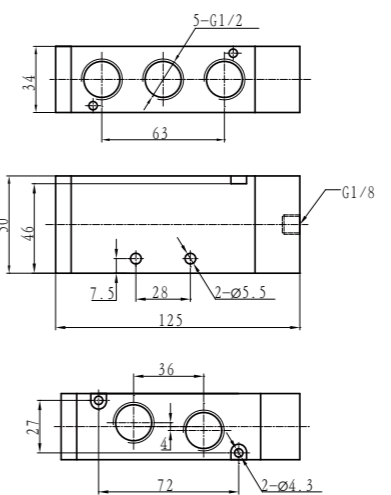
##### TG2532A-10



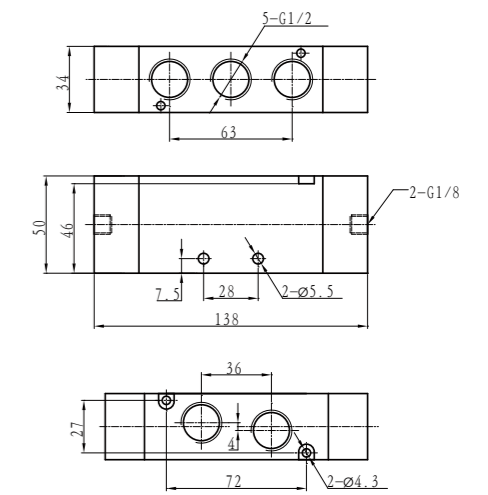
#### 2 Positions/5 Ports Air Valve



##### TG2541A-15



##### TG2542A-15

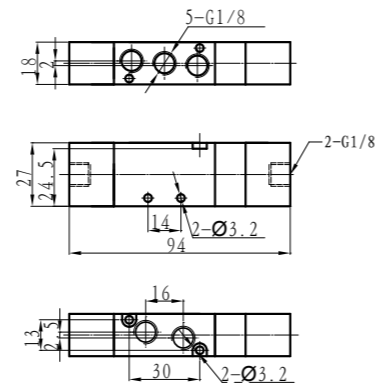


### TG Series Air Valve

#### 3 Positions/5 Ports Air Valve



- TG3512A-06C
- TG3512A-06E
- TG3512A-06P

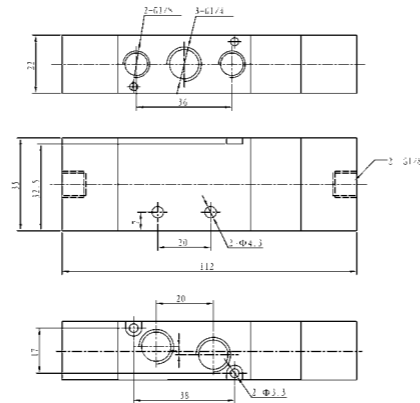


- TG3512A-06C
- TG3512A-06E
- TG3512A-06P

#### 3 Positions/5 Ports Air Valve



- TG3522A-08C
- TG3522A-08E
- TG3522A-08P

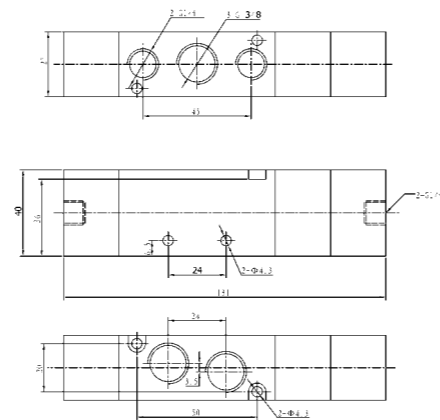


- TG3522A-08C
- TG3522A-08E
- TG3522A-08P

#### 3 Positions/5 Ports Air Valve



- TG3532A-10C
- TG3532A-10E
- TG3532A-10P

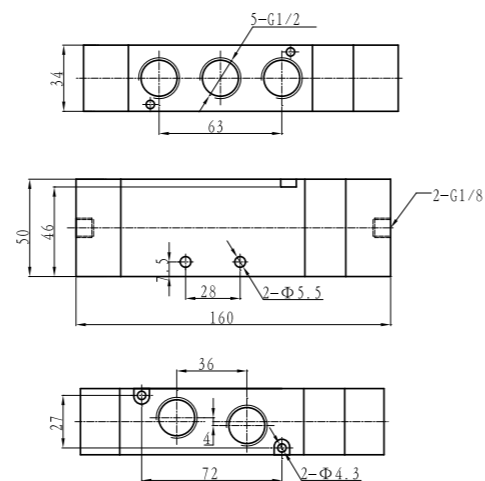


- TG3532A-10C
- TG3532A-10E
- TG3532A-10P

#### 3 Positions/5 Ports Air Valve



- TG3542A-15C
- TG3542A-15E
- TG3542A-15P



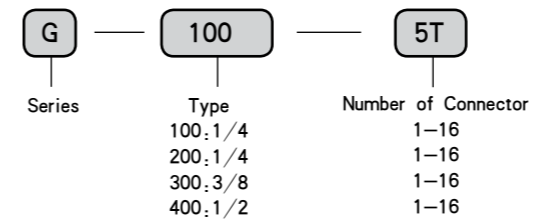
- TG3542A-15C
- TG3542A-15E
- TG3542A-15P

### G Series Manifold

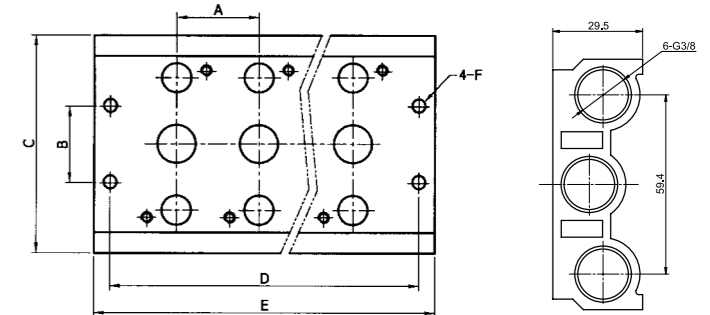


- G100-5T
- G200-5T
- G300-5T
- G400-5T

#### Ordering Code



#### Figure Dimension



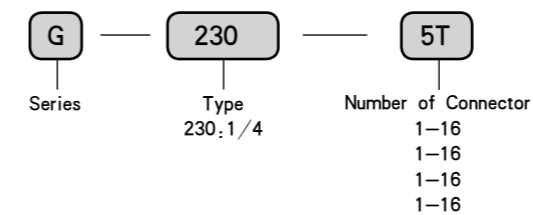
Manifold Type	A	B	C	D	E	F	G	H	I
G100 □ T	19	20	58	19(n-1)+28	19(n-1)+38	φ 4.5	G1/4	40	25
G200 □ T	23	20	60	23(n-1)+35	23(n-1)+46	φ 4.5	G1/4	42	25
G300 □ T	28	26	74	28(n-1)+45	28(n-1)+56	φ 4.5	G3/8	50	30
G400 □ T	35	32	100	35(n-1)+56	35(n-1)+70	φ 4.5	G1/2	65	41

### G230 Manifold

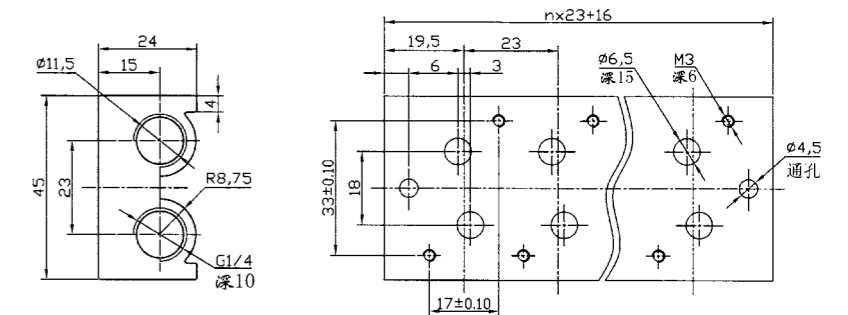


- G230-5T

#### Ordering Code



#### Figure Dimension



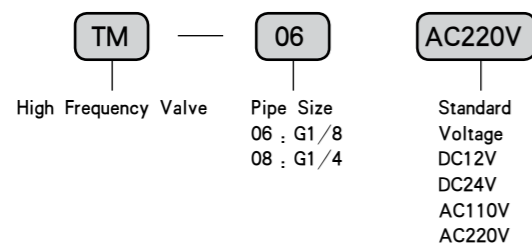
### TM Series High Frequency Valve



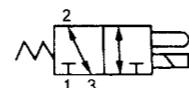
#### Character

The high frequency valve of TM series have no influence of working pressure and the performance of large flow with low power for adopting the globe valve with structure of balanced pressure type. Any port of No.1,2,3 can be added pressure, act quickly and be used widely such as air blowing, single function cylinder driving, air current branching, pressure choice and vacuum equipments etc. It can be general used in both normal opened and normal closed.

#### Ordering Code



#### Graphics Sign

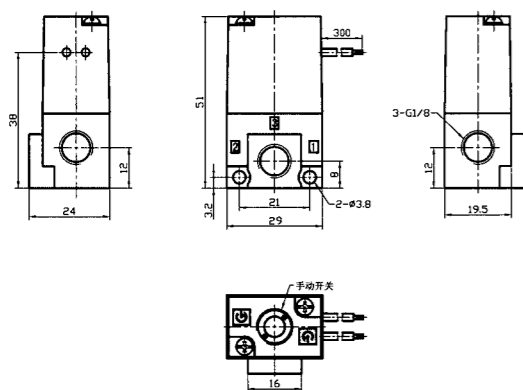


#### Technical Parameter

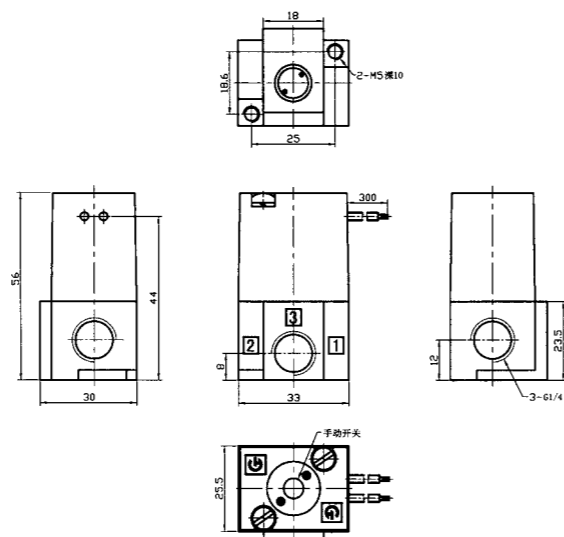
Item	Function	Pipe Size	Nominal Diameter (mm)	Applicable Medium	Applicable Pressure Range	Operating Method	Max Action Frequency	Lubrication	Medium Temperature
TM-06	2 Positions/ 3Ports	G1/8	3	Air	0 ~ 0.8MPa	Internally Piloted	100 Cycles/Sec	Needless	-5 ~ 60°C
TM-08		G1/4	5						

#### Figure Dimension

##### TM-06



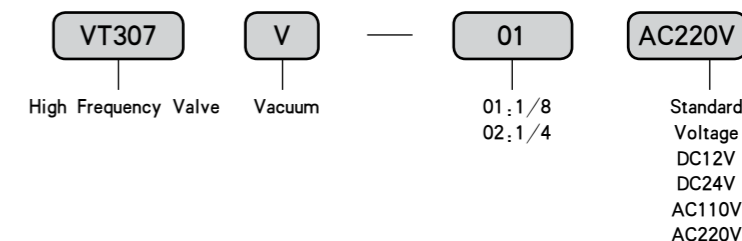
##### TM-08



### VT Series High Frequency Valve



#### Ordering Code



#### Graphics Sign



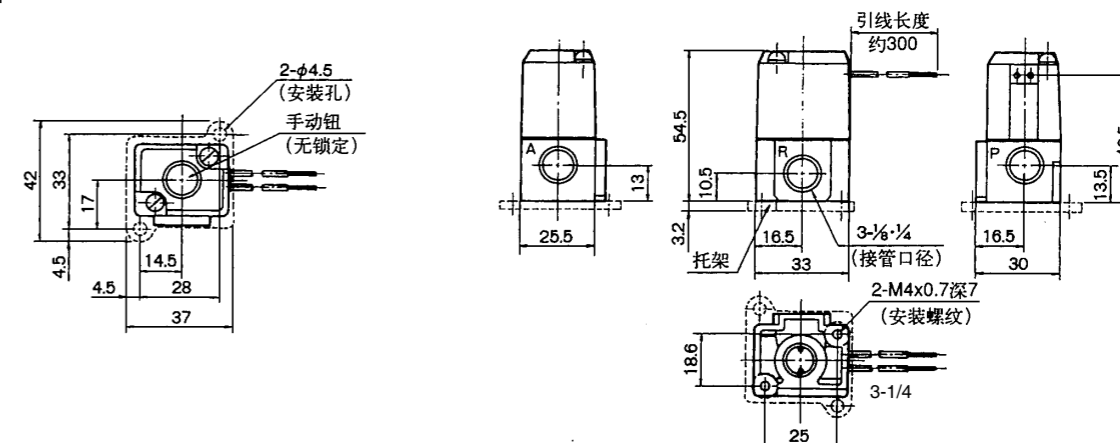
#### Solenoid Coil Specification

Plug Mode	Lead wire
Standard Voltage	AC : 110V, 220V(50Hz) DC : 12V, 24V
Allowable voltage range	-15 ~ +10% Class B or Equivalent(130°C)
Insulated Grade	Max 50°C
Temperature	AC Start : 12.7VA, Keep on : 7.6VA
Power Consumption	DC 4.8W

#### Specification

Applicable Fluid	Air, inert gas
Enginery	Normally open or normally lose
Medium Temperature	-5 ~ 60°C
Respond time	Max 20 millisec
Max action frequency	10 Cycles/Sec
Lubrication	Needless
Hand operating	Without lock
Impulsion force resistane/brisanse	15G/5G(40 ~ 1000Hz)
Protect structure	Dust proof
Pressure Range	0 ~ 0.8MPa
Pipe Size	G1/4

##### VT307



### TG2521N-08 Solenoid Valve

2 Positions/5 Ports Solenoid Valve

High flow long life



● TG2521N-08

● Character

The product has long service life, with small dimension, large flow, handsome shape, good performance.

■ Graphics Sign

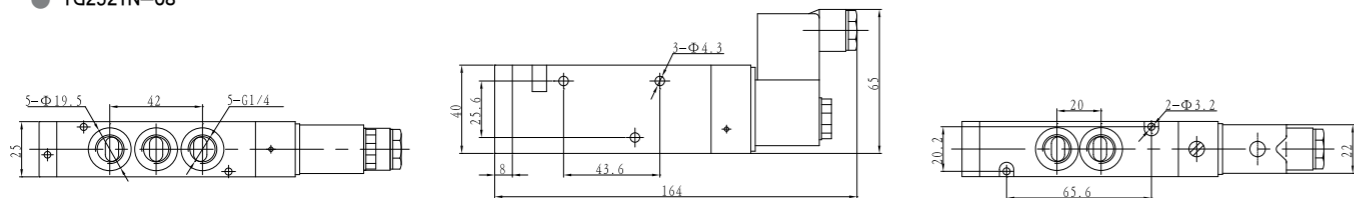


■ Technical Parameter

Item	Function	Pipe Size	Nominal Diameter (mm)	Applicable Medium	Applicable Pressure Range	Max Action Frequency	Lubrication	Medium Temperature
TG2521N-08	2 Positions/5 Ports	G1/4	8	Air	0.15 ~ 0.8 MPa	5 Cycles/Sec	Needless	-5 ~ 60°C

■ Figure Dimension

● TG2521N-08

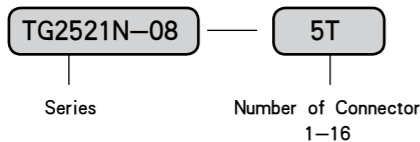


### TG2521N-08 Series Manifold

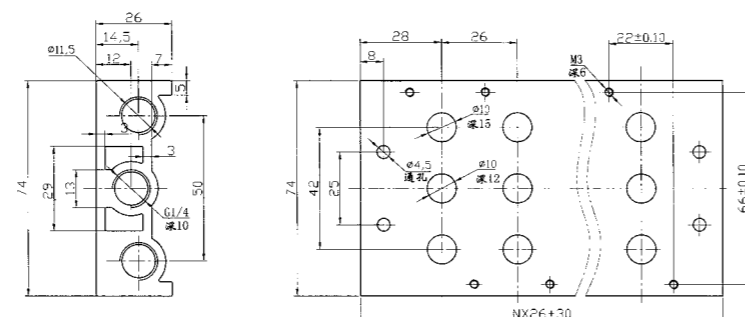


● TG2521N-08

● Ordering Code



■ Figure Dimension



Oxygen-specific

TGV Series

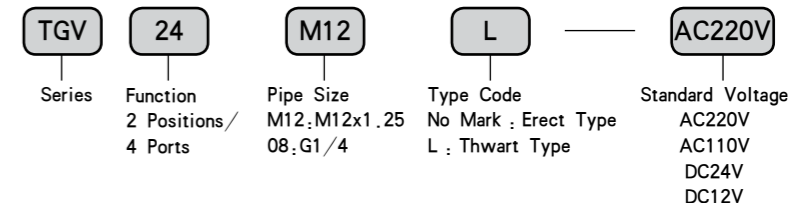
2 Positions/4 Ports Series Film Solenoid Valve



● TGV24-08

● TGV24-08L

● Ordering Code



● Character

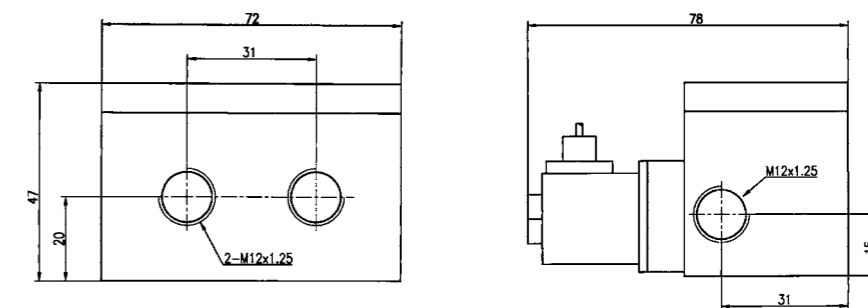
The product is controlled by weak electrical signal, handsome shape, acting quickly, low power consumption, long service life.

■ Technical Parameter

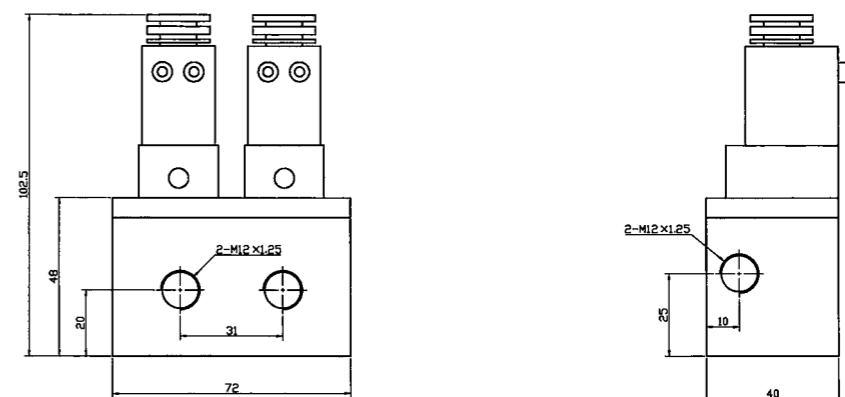
Item	Function	Pipe Size	Nominal Diameter (mm)	Applicable Medium	Applicable Pressure Range	Max Action Frequency	Lubrication	Medium Temperature
TGV24-M12	Erect Type	M12x1.25	8	Air	0.05 ~ 0.2 MPa	Internally Piloted	Needless	-5 ~ 60°C
TGV24-08		G1/4						
TGV24-M12L	Thwart Type	M12x1.25	8	Air	0.05 ~ 0.2 MPa	Internally Piloted	Needless	-5 ~ 60°C
TGV24-08L		G1/4						

■ Figure Dimension

● TGV24-08L



● TGV24-08



### YH Series Solenoid Valve



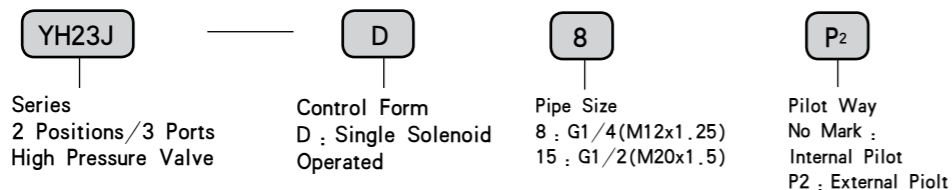
● YH23JD-8  
● YH23JD-15  
● YH23JD-15P<sub>2</sub>

High

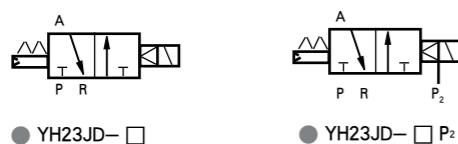
#### Character

This product can be used under high pressure circumstance, safety, has been adopted widely in high pressure pneumatic equipment such as Blow Bottle Machine, especially apply successfully in equipment that produce special shape, big capacity polyurethane bottle.

#### Ordering Code



#### Graphics Sign

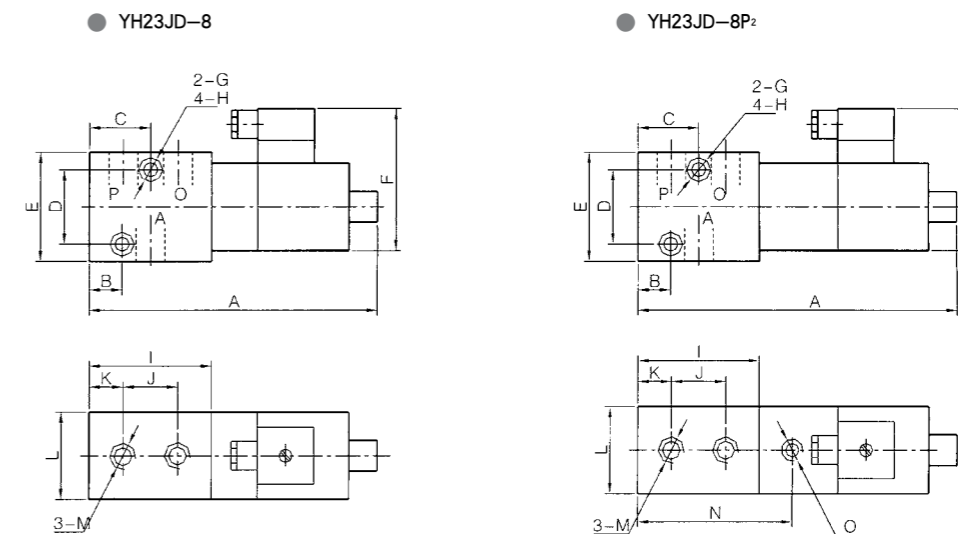


#### Technical Parameter

Item\Specification	YH23JD-8	YH23JD-8P <sub>2</sub>	YH23JD-15	YH23JD-15P <sub>2</sub>
Pressure Range	0.15 ~ 2.4 MPa			
Medium Temperature	-5 ~ 60 °C			
Applicable Medium	Air			
Lubrication	Needless			
Nominal Diameter	8 mm		15 mm	
Direction Change Time	≤ 0.04 S		≤ 0.08 S	
Pipe Size	G1/4		G1/2	

### YH Series Solenoid Valve

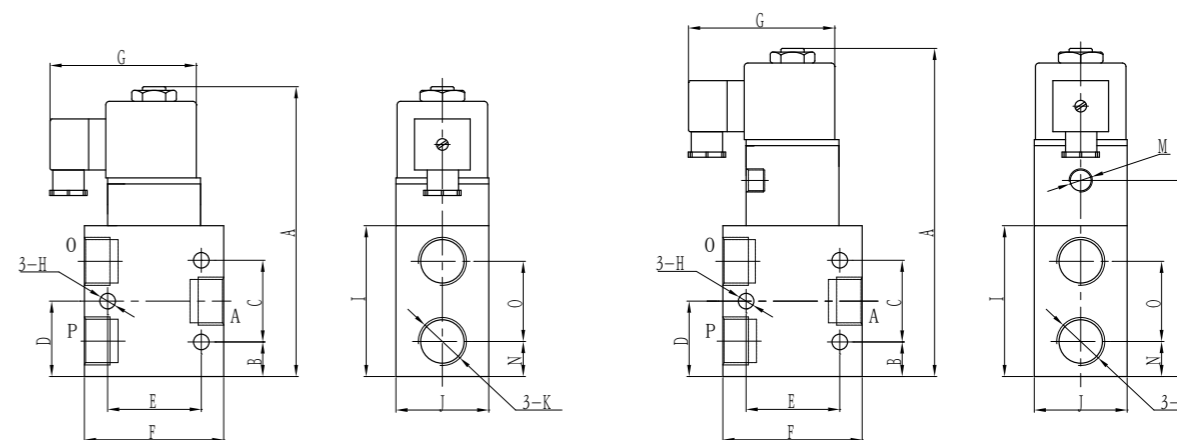
#### Figure Dimension



Type	K	A	B	C	D	E	F	G	H	I	J	K	L	N	O
YH23JD-8	G1/4	145	15	28	34	50	65	6.5	11	56	25	15.5	40	-	-
YH23JD-8P <sub>2</sub>	G1/4	132												75	G1/8

● YH23JD-15

● YH23JD-15P<sub>2</sub>



Type	K	A	B	C	D	E	F	G	H	I	J	L	M	N
YH23JD-15	G1/2	157	15.5	34	32.5	40	60	65	6.5	65	60	-	-	10.5
YH23JD-15P <sub>2</sub>	G1/2	140										84.5	G1/8	



TG series Hand Valve

● **Charatcer** Product design, compact, good looks, with the operating force, easy to use and so on. Pneumatic devices were widely used in control devices.

● **Ordering Code**

<b>TG</b>	<b>25</b>	<b>2</b>	<b>1B</b>	<b>06</b>	<b>C</b>	<b>M</b>
Series	Function	Connection Code	Control Form	Pipe Size	Working Mode	Working Mode
	23 : 2 Positions/3Ports 25 : 2 Positions/5Ports 35 : 3 Positions/5Ports	1 : 1/8 2 : 1/4 3 : 3/8 4 : 1/2	Hand Lever	06 : G1/8 08 : G1/4 10 : G3/8 15 : G1/2	No Mark : 2 Positions C : 3 Positions Closed Center E : 3 Positions Release Center	No Mark : Normal Type M : Multiple location instillation

■ **Technical Parameter**

Item	Function	Pipe Size	Nominal Diameter (mm)	Applicable Medium	Applicable Pressure Range	Operating Method	Lubrication	Medium Temperature
TG2311B-06	2 Positions/ 3 Ports	G1/8	6	Air	0 ~ 1.0MPa	Manually Control	Needless	-5 ~ 60°C
TG2321B-08		G1/4	8					
TG2511B-06	2 Positions/ 5 Ports	G1/8	8					
TG2521B-08		G1/4	8					
TG2521B-08M		G1/4	8					
TG2531B-10		G3/8	10					
TG2541B-15		G1/2	15					
TG3521B-08C	3 Positions/ 5 Ports	G1/4	8					
TG3531B-10C		G3/8	10					
TG3541B-15C		G1/2	15					

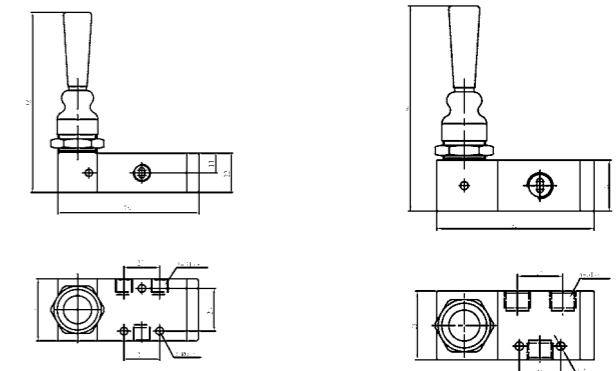
■ **Figure Dimension**

2 Positions/3 Ports Hand Valve

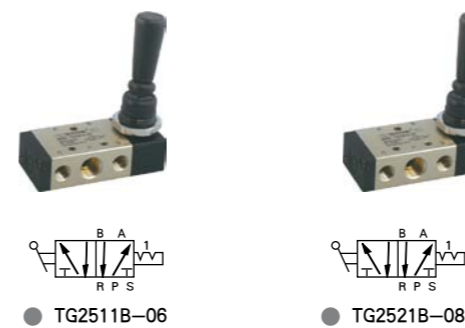


● TG2311B-06

● TG2321B-08

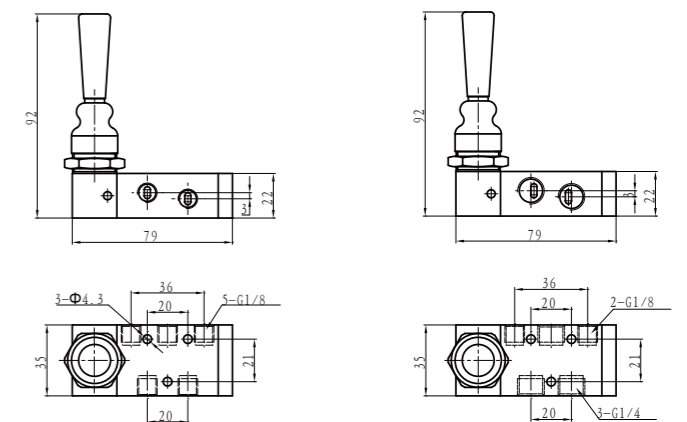


2 Positions/5 Ports Hand Valve



● TG2511B-06

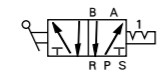
● TG2521B-08



2 Positions/5 Ports Hand Valve

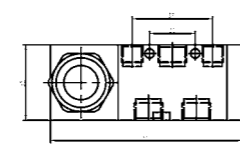
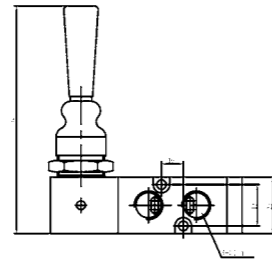


● TG2521B-08M

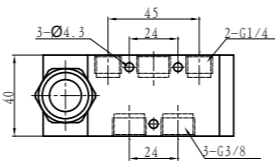
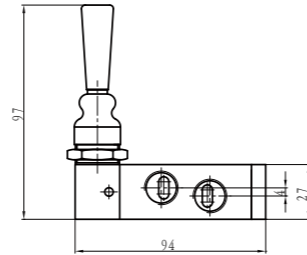


● TG2531B-10

● TG2521B-08M



● TG2531B-10



TG series Hand Valve

● **Character** Product design, compact, good looks, with the operating force, easy to use and so on. Pneumatic devices were widely used in control devices.

● **Ordering Code**

TG	25	2	1H	06
Series	Function	Connection Code	Control Form	Pipe size
	23 : 2 Positions/3Ports	1 : 1/8	Hand Lever	06 : G1/8
	25 : 2 Positions/5Ports	2 : 1/4		08 : G1/4
		3 : 3/8		10 : G3/8
		4 : 1/2		15 : G1/2

■ **Technical Parameter**

Item Specification	Function	Pipe Size	Nominal Diameter (mm)	Applicable Medium	Applicable Pressure Range	Operating Method	Lubrication	Medium Temperature
TG2311H-06	2 Positions/3 Ports	G1/8	6	Air	0 ~ 1.0MPa	Manually Control	Needless	-5 ~ 60°C
TG2321H-08		G1/4	8					
TG2331H-10		G3/8	10					
TG2341H-15	G1/2	15						
TG2511H-06	2 Positions/5 Ports	G1/8	6					
TG2521H-08		G1/4	8					
TG2531H-10		G3/8	10					
TG2541H-15		G1/2	15					

2 Positions/5 Ports Hand Valve



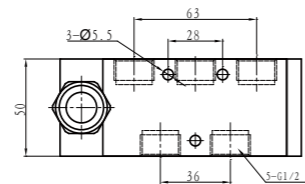
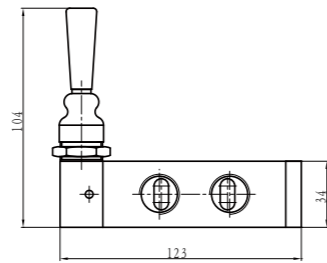
● TG2541B-15

3 Positions/5 Ports Hand Valve

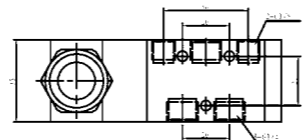
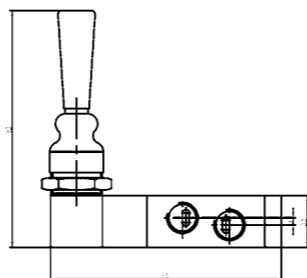


● TG3521B-08C

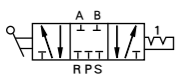
● TG2541B-15



● TG3521B-08C

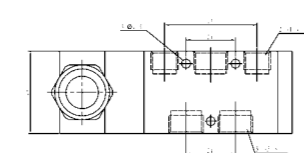
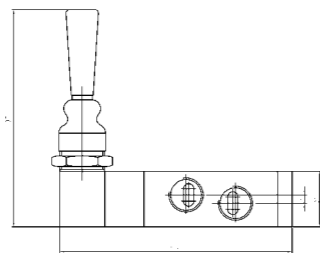


3 Positions/5 Ports Hand Valve

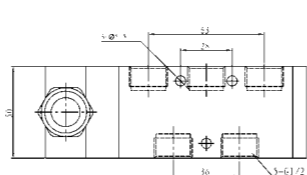
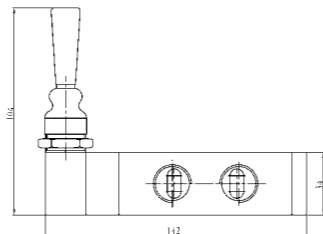


● TG3531B-10C

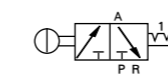
● TG3531B-10C



● TG3541B-15C

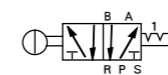


2 Positions/3 Ports Hand Valve



● TG2311H-06  
TG2311H-08

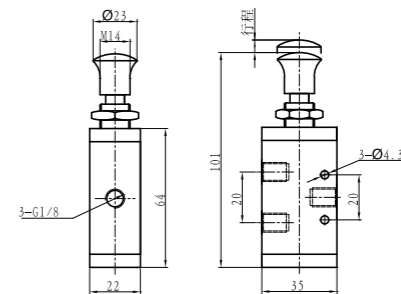
2 Positions/5 Ports Hand Valve



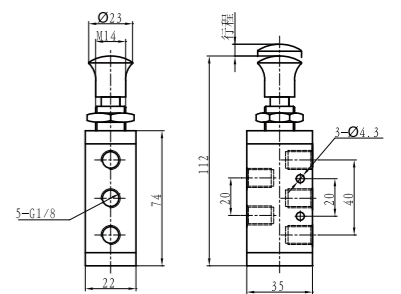
● TG2511H-06  
TG2511H-08

■ **Figure Dimension**

● TG2311H-06 (TG2321H-08)



● TG2511H-06 (TG2521H-08)





### TG series hand valve

2 Positions/3 Ports Hand Valve

2 Positions/5 Ports Hand Valve

● TG2321H-08

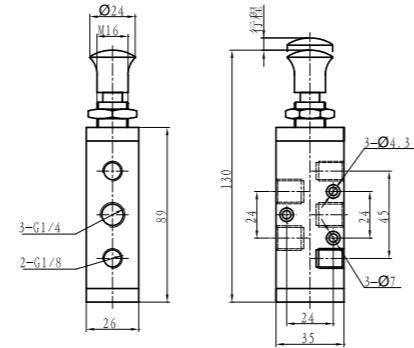
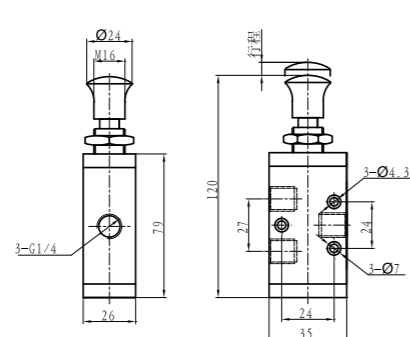
● TG2521H-08



● TG2321H-08



● TG2521H-08



2 Positions/3 Ports Hand Valve

2 Positions/5 Ports Hand Valve

● TG2331H-10

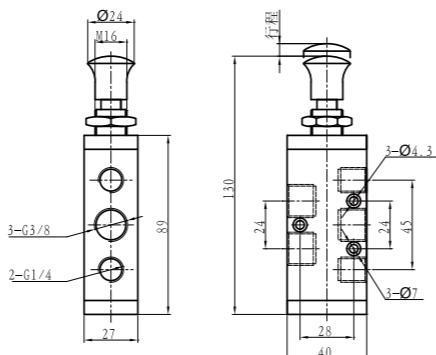
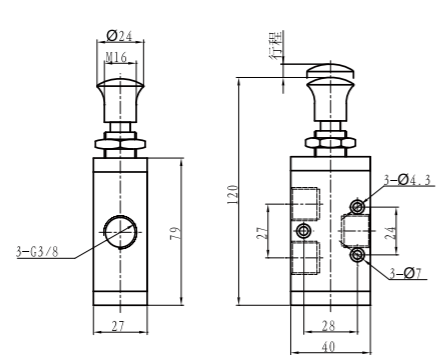
● TG2531H-10



● TG2331H-10



● TG2531H-10



2 Positions/3 Ports Hand Valve

2 Positions/5 Ports Hand Valve

● TG2341H-15

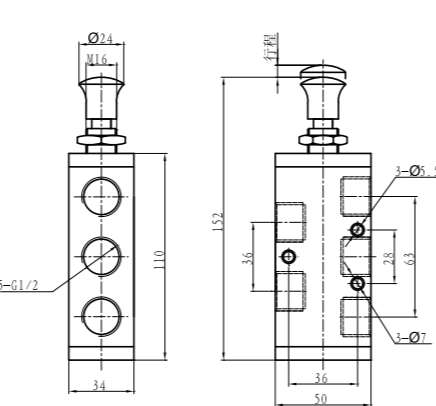
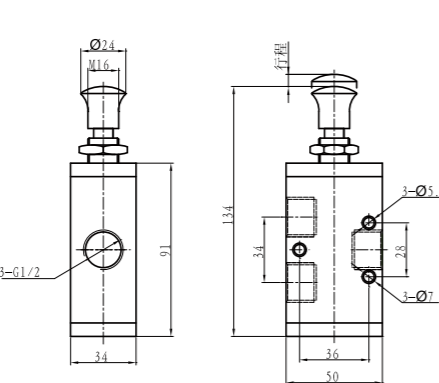
● TG2541H-15



● TG2341H-15



● TG2541H-15



### 3 Positions/4 Ports Manually-turn Valve



● TG34-S-08

● TG34-S-10

● TG34-S-15

● TG34-S-10H/TG34-S-15H

#### Ordering Code

TG

TG Series

34

Function  
34 : 3 Positions/4 Ports

S

Control Form  
S : Turning

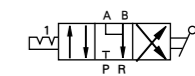
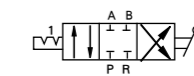
06

Pipe size  
06 : G1/8  
08 : G1/4  
10 : G3/8  
15 : G1/2

E

No Mark  
Closed Center  
E : Release Center  
H : 把式手柄

#### Graphics Sign

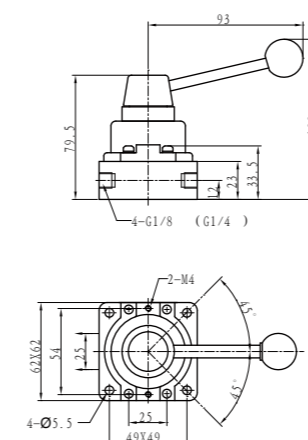


#### Technical Parameter

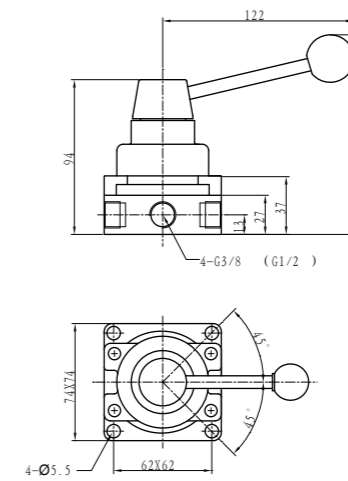
Item	Function	Pipe size	Nominal Diameter (mm)	Applicable Medium	Applicable Pressure Range	Control Method	Lubrication	Medium Temperature
TG34-S-06	3 Positions/4 Ports	G1/8	6	Air	0 ~ 1.0MPa	Manually Control	Needless	-5 ~ 60°C
TG34-S-08		G1/4	8					
TG34-S-10		G3/8	10					
TG34-S-15		G1/2	15					
TG34-S-06E		G1/8	6					
TG34-S-08E		G1/4	8					
TG34-S-10E		G3/8	10					
TG34-S-15E		G1/2	15					
TG34-S-10H		G3/8	10					
TG34-S-15H		G1/2	15					

#### Figure Dimension

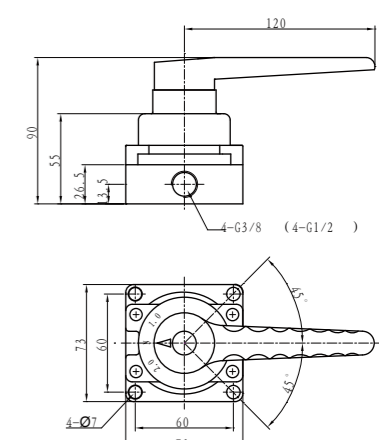
● TG34-S-06, TG34-S-08



● TG34-S-10, TG34-S-15



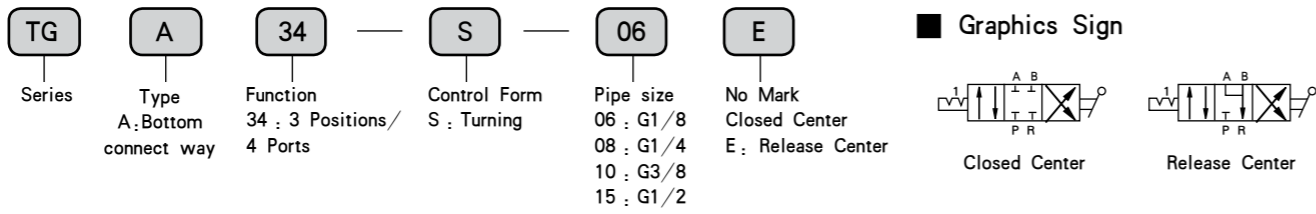
● TG34-S-10H, TG34-S-15H



### 3 Positions/4 Ports Valves(Ports On The Bottom)



#### Ordering Code

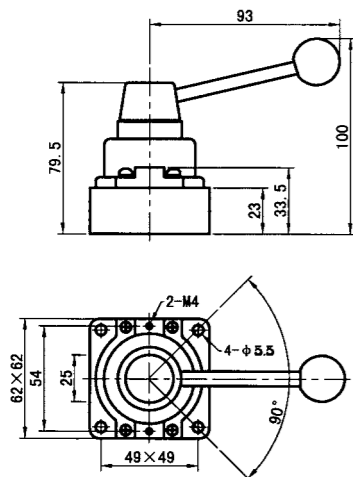


#### Technical Parameter

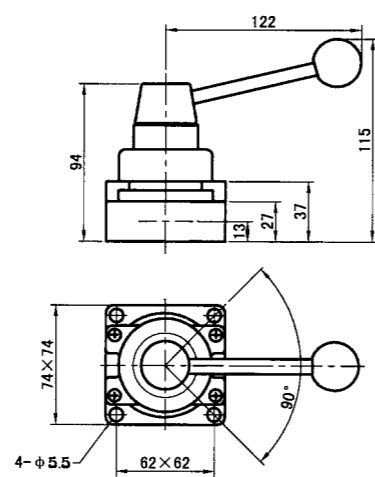
Item	Function	Pipe Size	Nominal Diameter (mm)	Applicable Medium	Applicable Pressure Range	Control Method	Lubrication	Medium Temperature
TGA34-S-06	3 Positions/ 4 Ports	G1/8	6	Air	0 ~ 1.0MPa	Manually Control	Needless	-5 ~ 60°C
TGA34-S-08		G1/4	8					
TGA34-S-10		G3/8	10					
TGA34-S-15		G1/2	15					
TGA34-S-06E		G1/8	6					
TGA34-S-08E		G1/4	8					
TGA34-S-10E		G3/8	10					
TGA34-S-15E		G1/2	15					

#### Figure Dimension

TGA34-S-06, TGA34-S-08



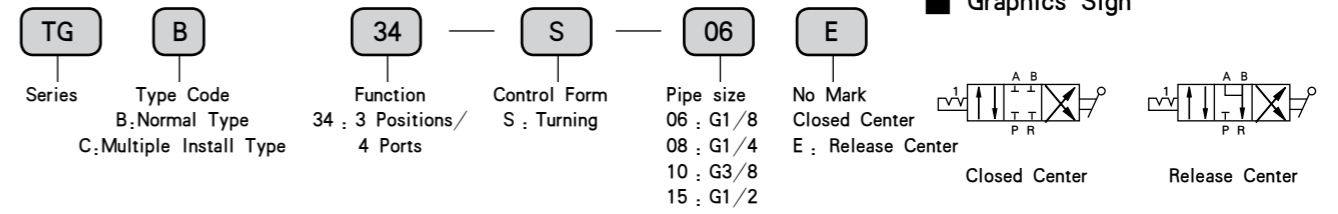
TGA34-S-10, TGA34-S-15



### 3 Positions/4 Ports Manually-turn Valve(Ceramic Seal)



#### Ordering Code



#### Technical Parameter

Item	Function	Pipe Size	Nominal Diameter (mm)	Applicable Medium	Applicable Pressure Range	Control Method	Lubrication	Medium Temperature
TGB34-S-06	3 Positions/ 4 Ports	G1/8	6	Air	0 ~ 1.0MPa	Manually Control	Needless	-5 ~ 60°C
TGB34-S-08		G1/4	8					
TGB34-S-10		G3/8	10					
TGB34-S-15		G1/2	15					
TGC34-S-06		G1/8	6					
TGC34-S-08		G1/4	8					
TGC34-S-10		G3/8	10					
TGC34-S-15		G1/2	15					

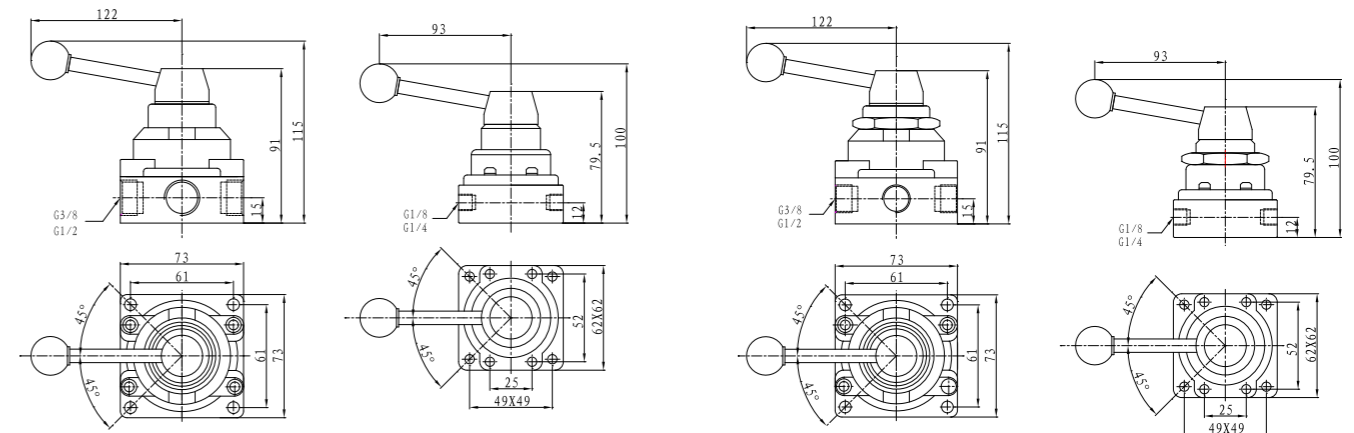
#### Figure Dimension

TGB34-S-06  
TGB34-S-10

TGB34-S-08  
TGB34-S-15

TGC34-S-06  
TGC34-S-10

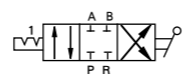
TGC34-S-08  
TGC34-S-15



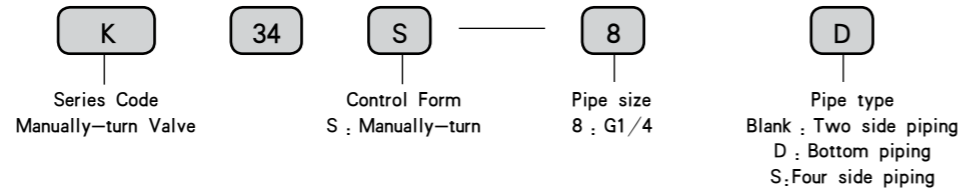
### K Series Manually-turn Valve



#### Graphics Sign



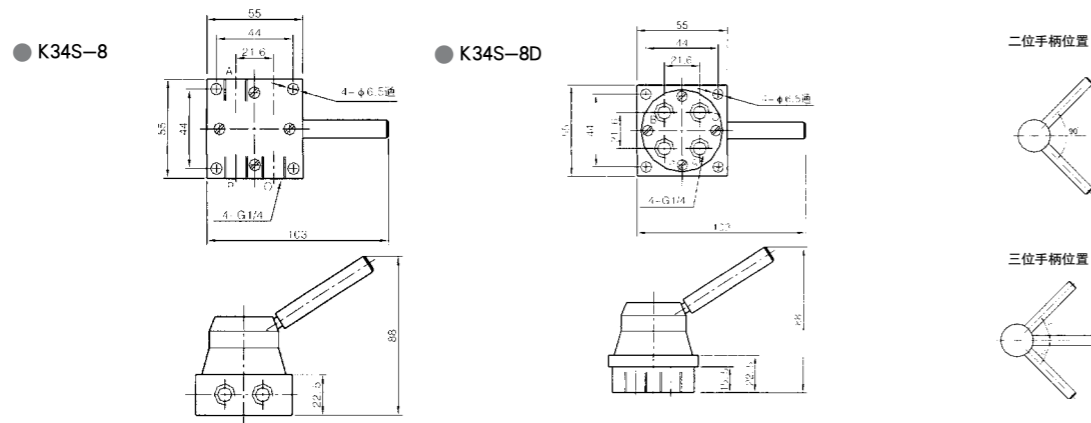
#### Ordering Code



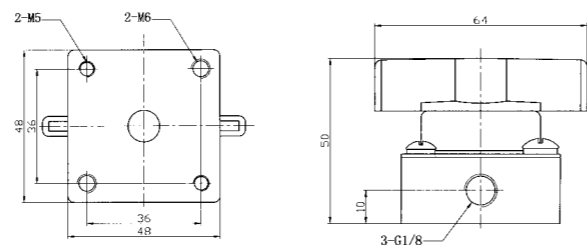
#### Technical Parameter

Item \ Specification	K23S-8	K24S-8	K34S-8	K34S-8S	K34S-8D
Pipe thread	G1/4				
Operating pressure MPa	0 ~ 1.0 MPa				
Medium Temperature	-10 ~ 60 °C				
Effective Cross Area	10				
Pipe type	Side piping				Bottom piping
Working life(M)	≥ 150 M				

#### Figure Dimension



### 2 Position/3 Ports Trun Value

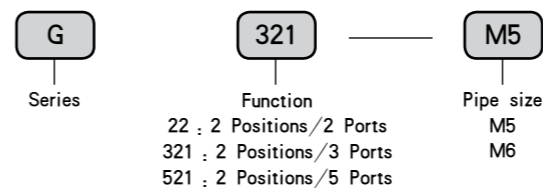


#### Technical Parameter

Specification	Item	Structure Type	Pipe Thread	Nominal Diameter (mm)	Applicable Fluid	Pressure Range	Operating Method	Lubrication	Applicable Temperature
TG23-S-06		2 Position/3 Ports	G1/8	ø2.8	Air	0 ~ 1.0MPa	Direct Action Type	Not Required	-5 ~ 60°C

### Mechanical Valve

#### Ordering Code



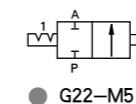
#### Character

Product design, compact, good looks, with the operating force, easy to use and so on. Pneumatic devices were widely used in control devices.

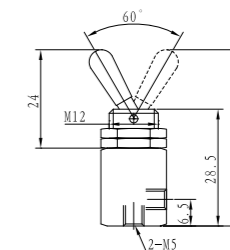
#### Technical Parameter

Item \ Specification	G22-M5	G321-M5	G521-M5
Medium Temperature	-5 ~ 60°C		
Pressure Range	0 ~ 1.0 MPa		
Lubrication	Needless		
Pipe Size	M5		
Control Form	Hand		
Applicable Medium	Air		
Function	Brass		
Material of body	2 Positions/2 Ports	2 Positions/3 Ports	2 Positions/5 Ports

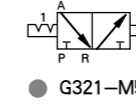
#### 2 Positions/2 Ports



● G22-M5

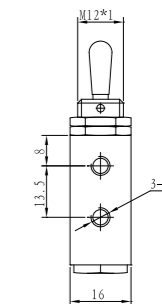
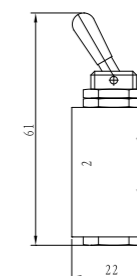
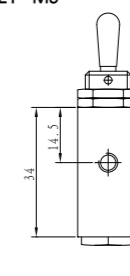


#### 2 Positions/3 Ports

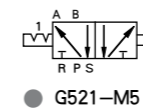


● G321-M5

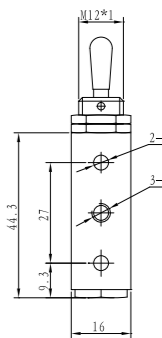
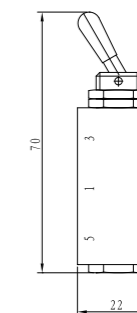
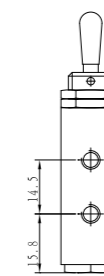
#### 2 Positions/3 Ports



#### 2 Positions/5 Ports

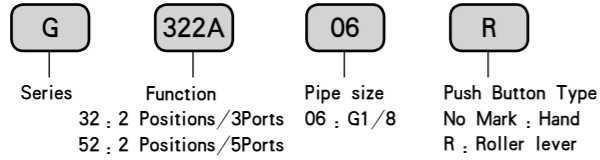


● G521-M5



## G series Manually Valve/Mechanical Valve

### Ordering Code



### Character

Product design, compact, good looks, with the operating force, easy to use and so on. Pneumatic devices were widely used in control devices.

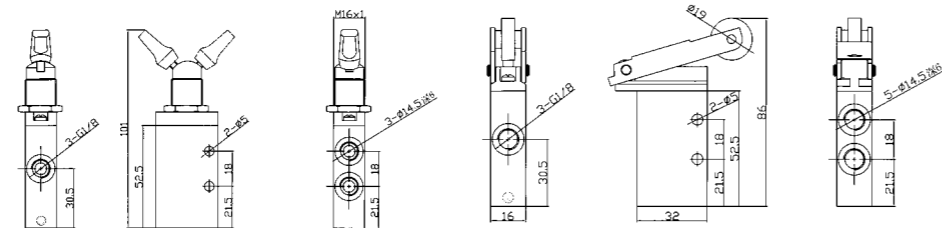
### Technical Parameter

Item Specification	Function	Pipe size	Nominal Diameter (mm)	Applicable Medium	Pressure Range	Operating Method	Lubrication	Medium Temperature
G322A-06	2 Positions/ 3Ports	G1/8	6	Compress Air Inert gas	0 ~ 1.0MPa	Hand	Needless	-5 ~ 60°C
G322A-06R		G1/8	6			Roller lever		
G522A-06	2 Positions/ 5Ports	G1/8	6					
G522A-06R		G1/8	6			Roller lever		

### 2 Positions/3 Ports Manually Valve/Mechanical Valve



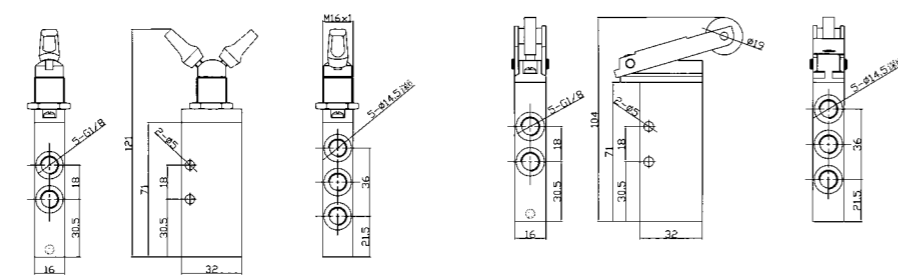
### Figure Dimension



### 2 Positions/5 Ports Manually Valve/Mechanical Valve



### Figure Dimension



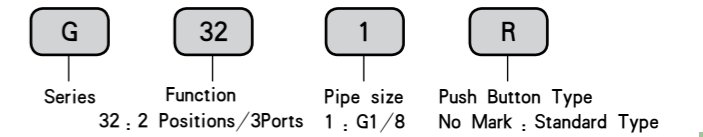
## 2 Positions/3 Ports Mechanical Valve



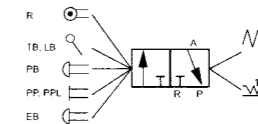
### Technical Parameter

Specification	G321R, PP, PPL, PB, EB, TB, LB
Applicable Medium	Air
Pressure Range	0 ~ 1.0MPa
Control Method	Mechanical Control, Manually Control
Lubrication	Needless
Medium Temperature	-5 ~ 60°C
The Button's Standard Color	black : LB red : PP, PPL, PB, EB, TB
The Button's Color Available	green, black : PP, PPL, PB, TB

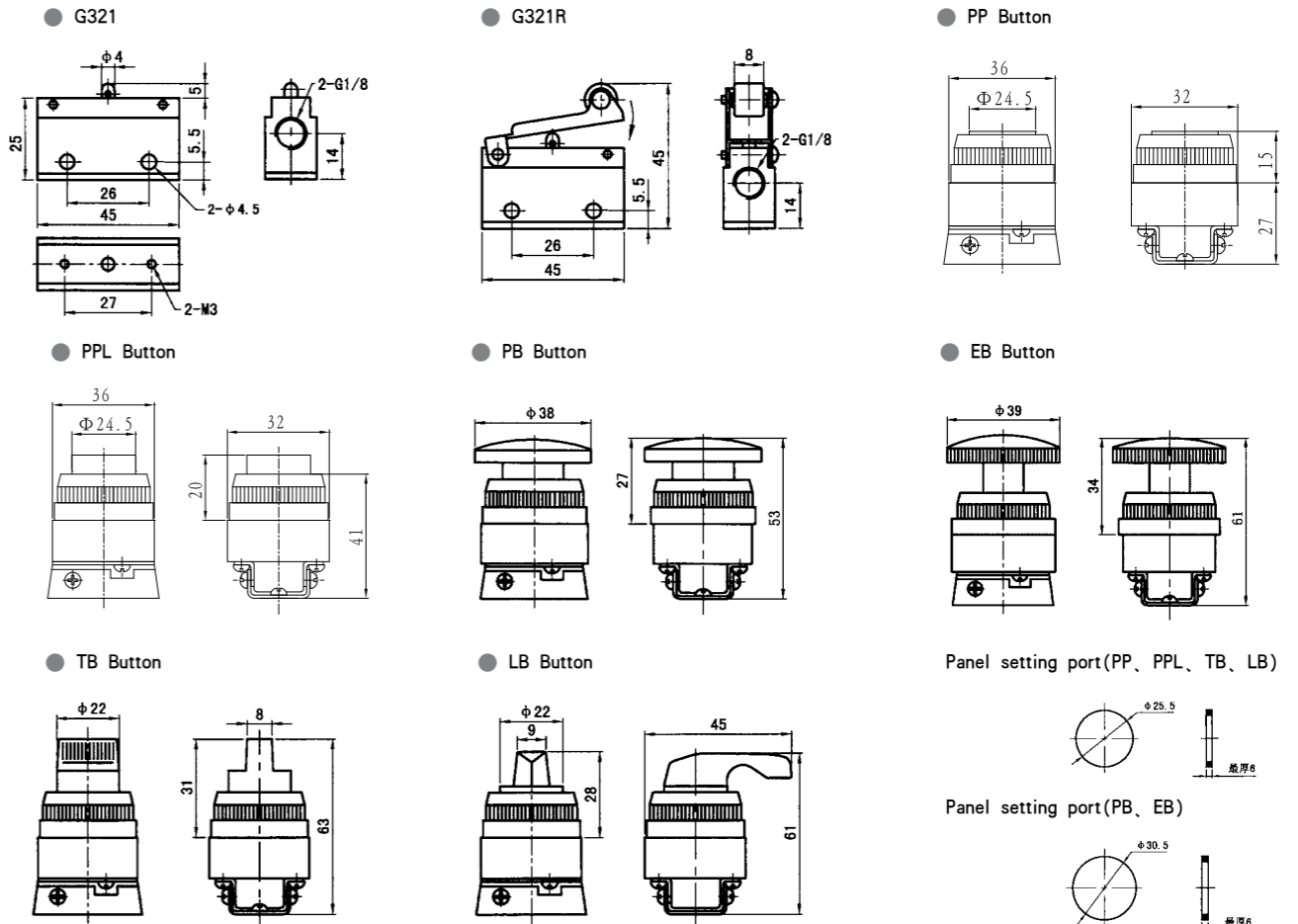
### Ordering Code



### Graphics Sign



### Figure Dimension



### 2 Positions/3 Ports Mechanical Valve

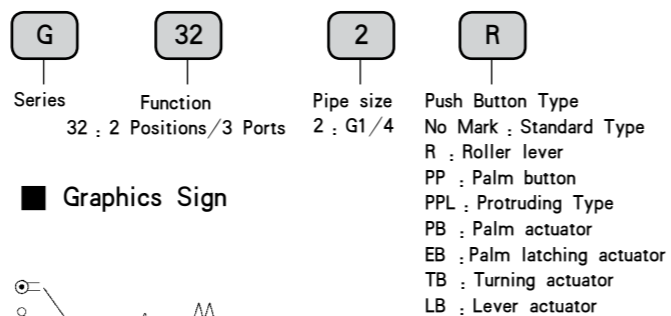


● G322 ● G322R ● G322PP ● G322PPL ● G322PB ● G322EB ● G322TB ● G322LB

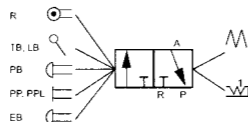
#### Technical Parameter

Specification	G322R, PP, PPL, PB, EB, TB, LB
Applicable Medium	Air
Pressure Range	0 ~ 1.0MPa
Control Method	Mechanical Control, Manually Control
Lubrication	Needless
Medium Temperature	-5 ~ 60°C
The Button's Standard Color	black : LB red : PP, PPL, PB, EB, TB
The Button's Color Available	green, black : PP, PPL, PB, TB

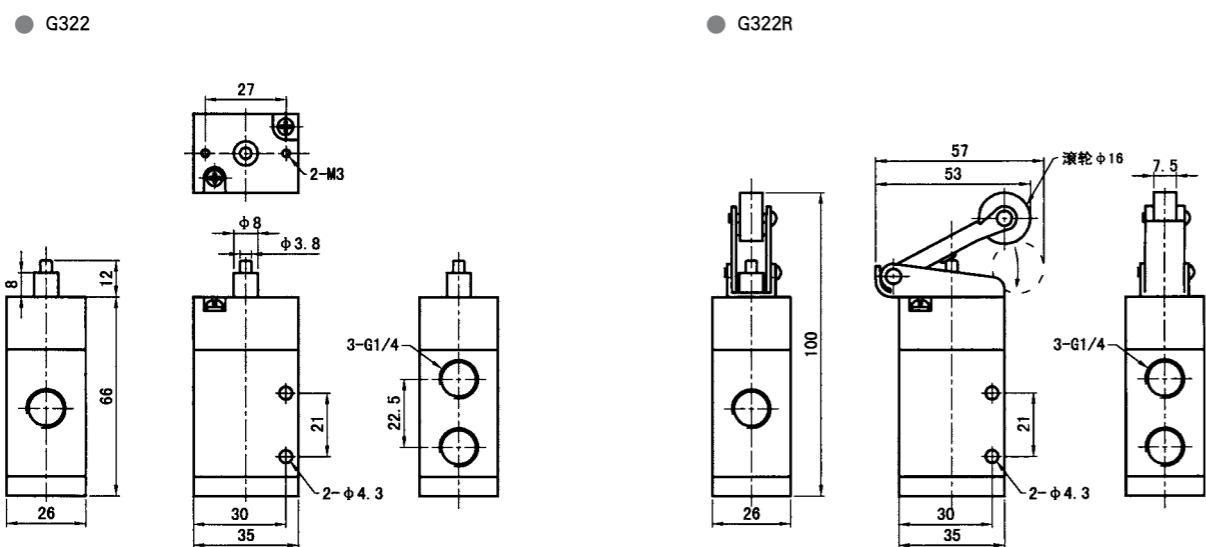
#### Ordering Code



#### Graphics Sign



#### Figure Dimension



(Note : the push button types of G322 are the same as G321's)

### 2 Positions/5 Ports Mechanical Valve

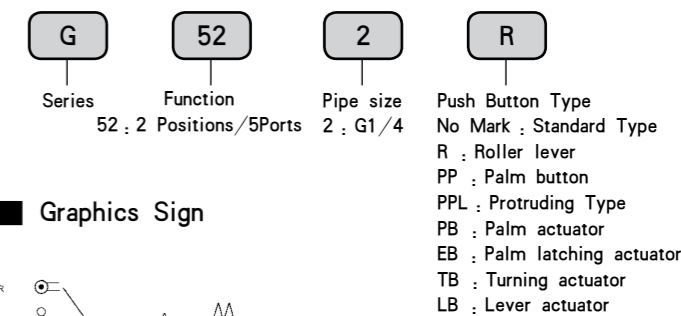


● G522 ● G522R ● G522PP ● G522PPL ● G522PB ● G522EB ● G522TB ● G522LB

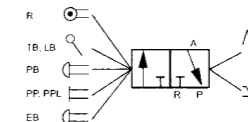
#### Technical Parameter

Specification	G522R, PP, PPL, PB, EB, TB, LB
Applicable Medium	Air
Pressure Range	0 ~ 1.0MPa
Control Method	Mechanical Control, Manually Control
Lubrication	Needless
Medium Temperature	-5 ~ 60°C
The Button's Standard Color	black : LB red : PP, PPL, PB, EB, TB
The Button's Color Available	green, black : PP, PPL, PB, TB

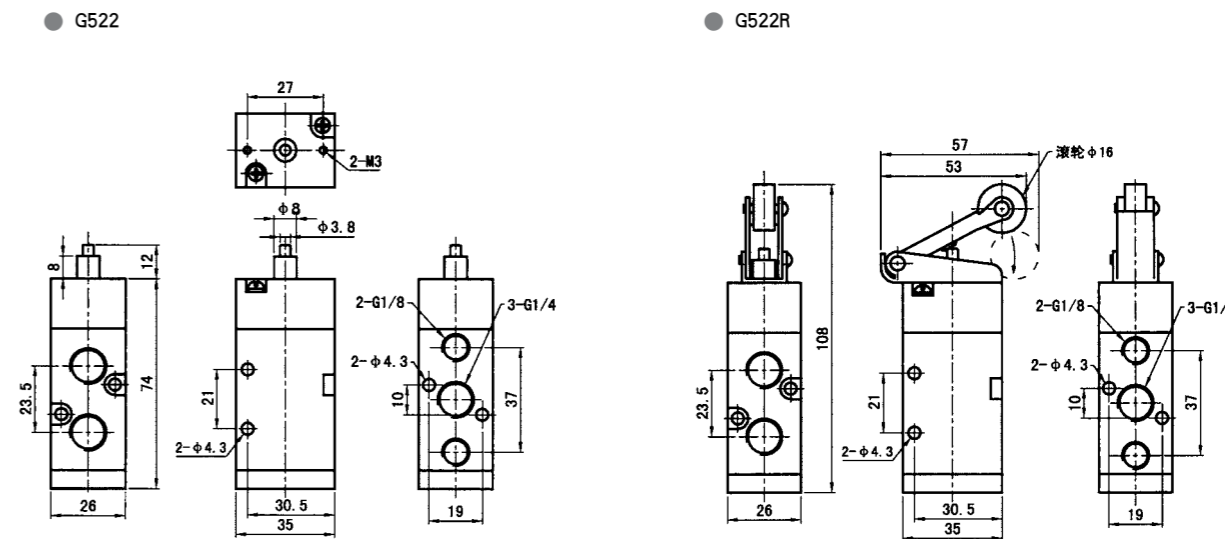
#### Ordering Code



#### Graphics Sign



#### Figure Dimension



(Note : the push button types of G522 are the same as G321's)

## 2 Positions/3 Ports, 2 Positions/4 Ports, 2 Positions/5 Ports Foot Valve

### Ordering Code

<b>TG</b>	<b>23</b>	<b>J</b>	<b>08</b>	<b>L</b>
Series	Function	Control Form	Pipe size	Type Code
	23 : 2 Positions/3 Ports 24 : 2 Positions/4 Ports 25 : 2 Positions/5 Ports	J : Foot Pedal	08 : G1/4	No Mark : Basic Type LG : With Lock & Guard L : With Lock G : With Guard

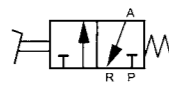
### Character

It is a foot control valve, widely applied to all kinds of pneumatic system. With small operation force, and emancipation of hands. The R and P ports of two-position & three-port valve can be interchangeable to change the normally close to normally open.

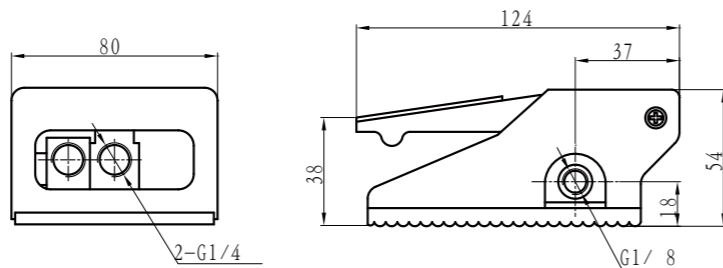
### Technical Parameter

Item Specification	Function	Pipe size	Nominal Diameter (mm)	Applicable Medium	Pressure Range	Operating Method	Lubrication	Medium Temperature
TG23-J-08	2 Positions/3 Ports	G1/4	8	Air	0 ~ 0.8MPa	Foot	Needless	-5 ~ 60°C
TG24-J-08	2 Positions/4 Ports	G1/4	8					
TG25-J-08	2 Positions/5 Ports	G1/4	8					
TG25-J-08L	2 Positions/5 Ports	G1/4	8					
TG25-J-08G	2 Positions/5 Ports	G1/4	8					
TG25-J-08LG	2 Positions/5 Ports	G1/4	8					

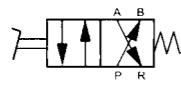
### 2 Positions/3 Ports Foot Valve



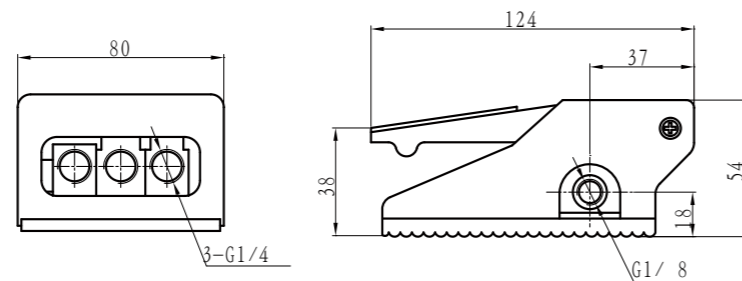
● TG23-J-08



### 2 Positions/4 Ports Foot Valve



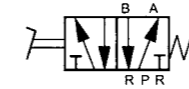
● TG24-J-08



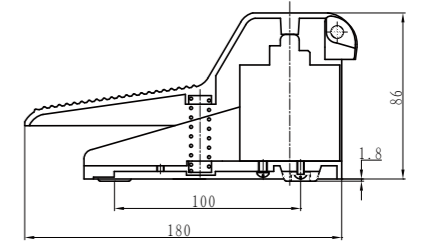
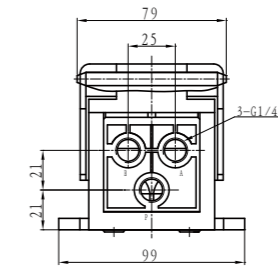
## Foot Valve

### 2 Positions/5 Ports Foot Valve

● TG25-J-08

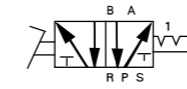


● TG25-J-08

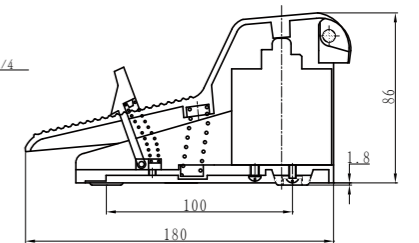
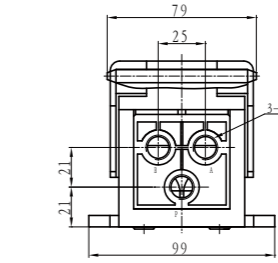


### 2 Positions/5 Ports Foot Valve With Lock

● TG25-J-08L

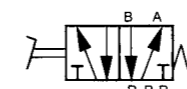


● TG25-J-08L

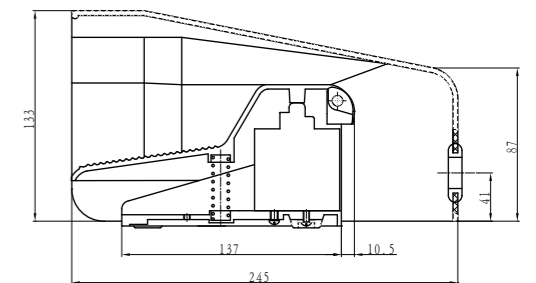
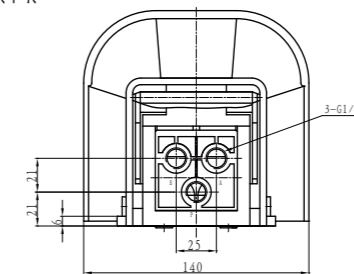


### 2 Positions/5 Ports Foot Valve with Guard

● TG25-J-08G



● TG25-J-08G

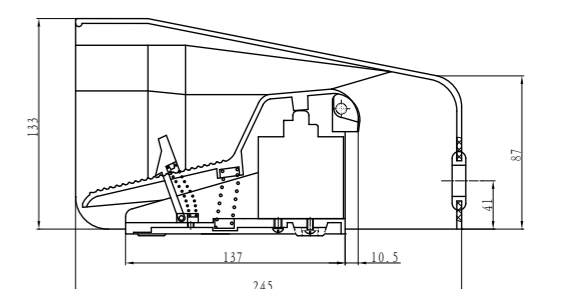
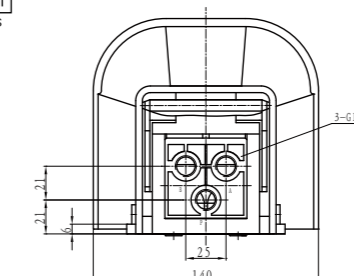


### 2 Positions/5 Ports Foot Valve With Lock & Guard

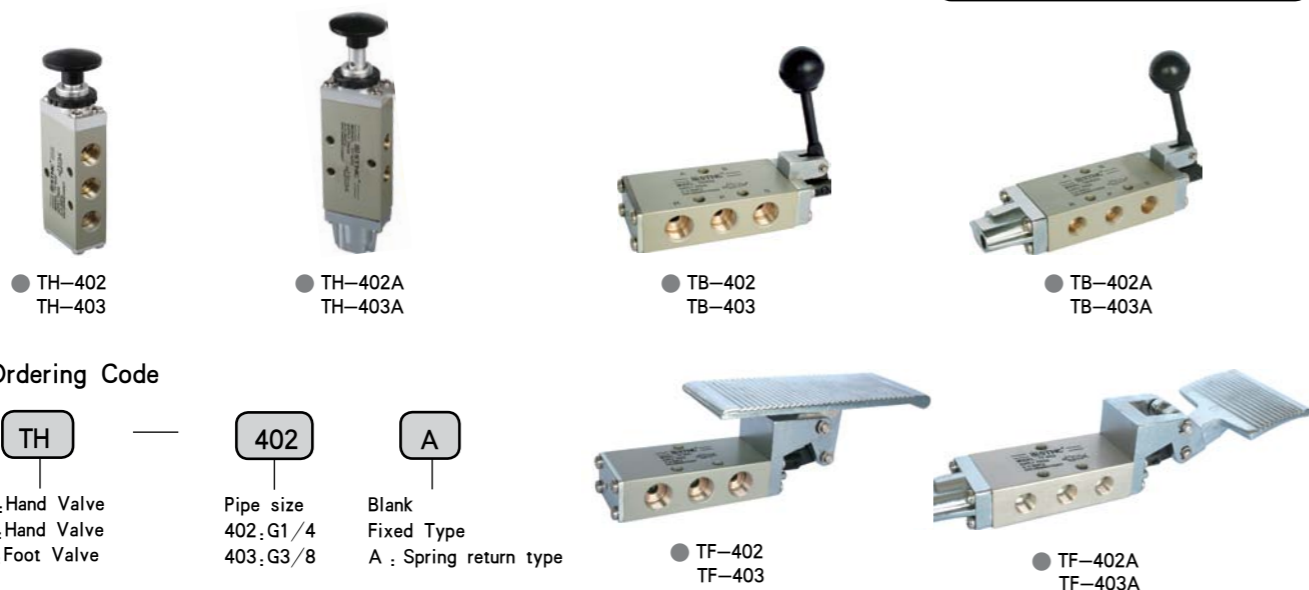
● TG25-J-08LG



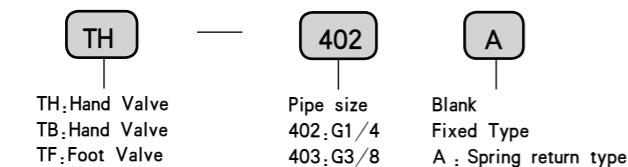
● TG25-J-08LG



### Hand Valve/Foot Valve



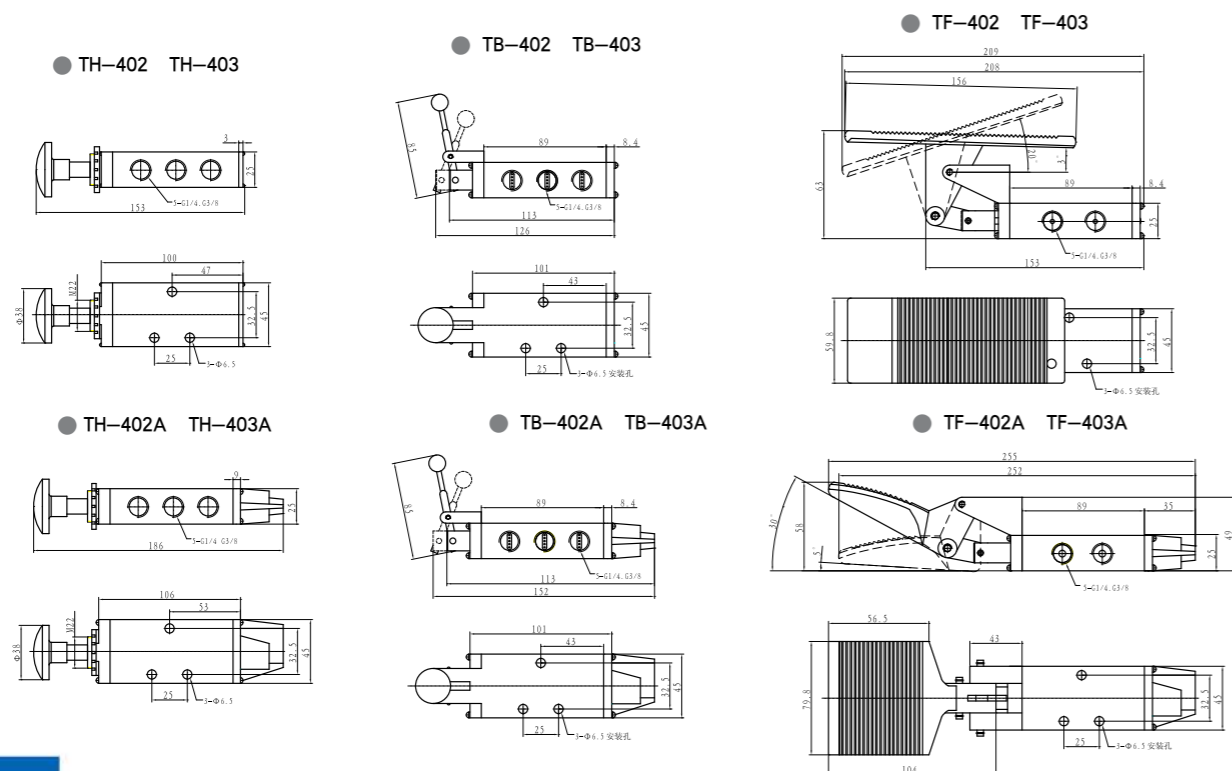
#### Ordering Code



#### Technical Parameter

Item \ Specification	TH-402/TH-403	TH-402A/TH-403A	TB-402/TB-403	TB-402A/TB-403A	TF-402/TF-403	TF-402A/TF-403A
Material of Body	Aluminum Alloy					
Control Form	Hand		Hand		Foot	
Function	2 Positions/5 Ports					
Pipe Size	G1/4, G3/8					
Applicable Fluid	Air					
Pressure Range	0 ~ 0.8MPa					
Medium Temperature	-5 ~ 60°C					

#### Figure Dimension



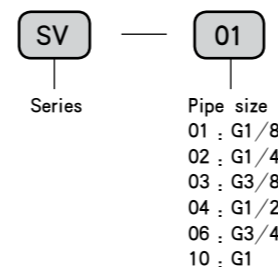
### Speed Control Valve



#### Character

It is a one-way flow control valve which can regulate the flow of compressed air in air passage. It will control forward flow and not control reversed flow, so as to change the oneway movement speed of executive components such as air cylinder.

#### Ordering Code



#### Graphics Sign

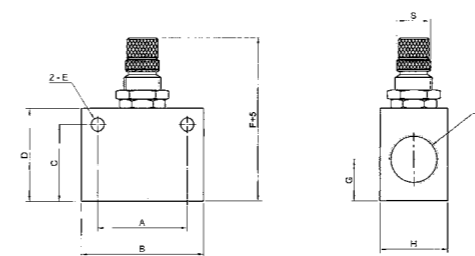


#### Technical Parameter

Specification/Item	Pipe size	Applicable Medium	Min. Operating Pressure	Pressure Range	Medium Temperature
Precision type	SV-01	G1/8	Air	0.05 ~ 1.2 MPa	-5 ~ 60°C
	SV-02	G1/4			
	SV-03	G3/8			
	SV-04	G1/2			
Basic type	ST-01	G1/8	0.03MPa	0.05 ~ 0.8 MPa	-5 ~ 60°C
	ST-02	G1/4			
	ST-03	G3/8			
	ST-04	G1/2			
	ST-06	G3/4			
	ST-10	G1			

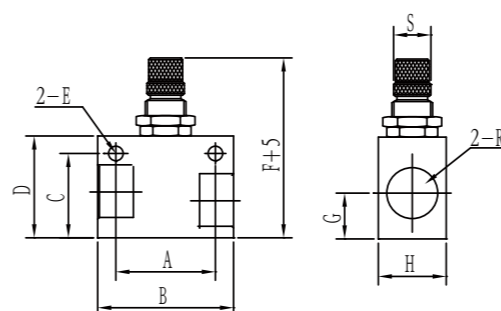
#### Figure Dimension

##### Precision Type



Specification	SV-01	SV-02	SV-03	SV-04
A	24.5	24.5	38	38
B	35	35	50	50
C	21	21	33	33
D	26	26	40	40
E	φ 4.5	φ 4.5	φ 5.5	φ 5.5
F	50	50	68	68
G	10	10	16	16
H	16	19	25	25
R	G1/8	G1/4	G3/8	G1/2
S	M12	M12	M16	M16

##### Basic Type

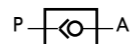


Specification	ST-01	ST-02	ST-03	ST-04	ST-06	ST-10
A	22	26	30	30	47	60
B	32	36	40	40	65	80
C	18	22	25	30	53	52.5
D	23	27	30	35	59.5	60
E	φ 4.3	φ 4.3	φ 4.3	φ 4.3	φ 8.5	φ 8.5
F	46/54	50/58	53/61	58/66	109/119	112/122
G	9.6	12	13	15	29.8	30
H	17	18	22	26	35	44
R	G1/8	G1/4	G3/8	G1/2	G3/4	G1
S	M14	M14	M14	M14	-	-

### Check Valve



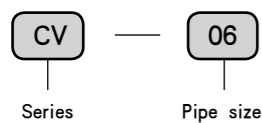
#### Graphics Sign



#### Character

This series of product is a kind of one-way control valve. The medium through this valve can only flow in one-way. It is in reasonable design and simple structure, with handsome shape and wide application.

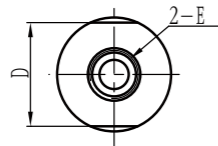
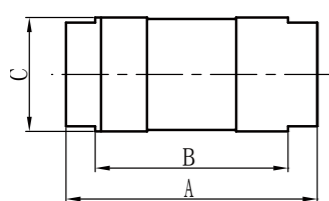
#### Ordering Code



#### Technical Parameter

Specification	Item	Pipe Size	Nominal Diameter (mm)	Applicable Medium	Applicable Pressure Range	Min. Operating Pressure	Medium Temperature
CV-06		G1/8	6	Air	0.05 ~ 1.2 MPa	0.05MPa	-5 ~ 60°C
CV-08		G1/4	8				
CV-10		G3/8	10				
CV-15		G1/2	15				
CV-20		G3/4	20				
CV-25		G1	25				

#### Figure Dimension



Specification	A	B	C	D	E
CV-06	64	53	φ 28	24	G1/8
CV-08	64	53	φ 28	24	G1/4
CV-10	86	66	φ 39.5	36	G3/8
CV-15	86	66	φ 39.5	36	G1/2
CV-20	112	90	φ 53.5	46	G3/4
CV-25	112	90	φ 53.5	46	G1

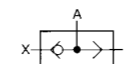
### Shuttle Valve

#### Character

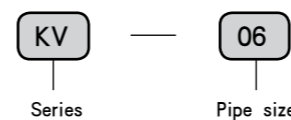
It is similar to the combination of two one-way valves with two input and one output. In the pneumatic system, it acts as "OR" of logic in both executive loop and control loop.



#### Graphics Sign



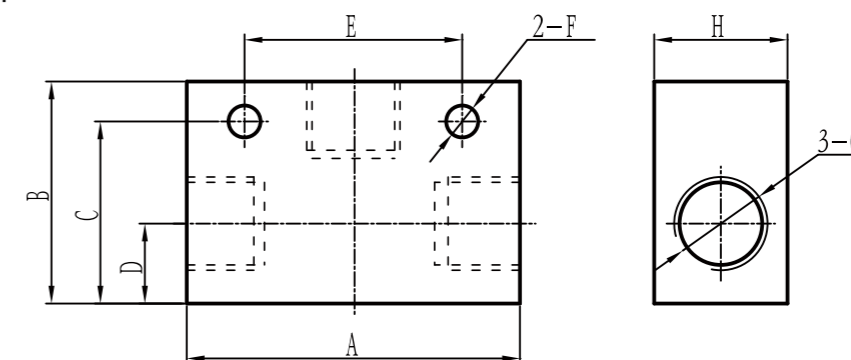
#### Ordering Code



#### Technical Parameter

Specification	Item	Pipe Size	Nominal Diameter (mm)	Applicable Medium	Applicable Pressure Range	Min. Operating Pressure	Medium Temperature
KV-06		G1/8	3	Air	0.05 ~ 1.2 MPa	≥ 0.05MPa	-5 ~ 60°C
KV-08		G1/4	6				
KV-10		G3/8	8				
KV-15		G1/2	10				
KV-20		G3/4	15				
KV-25		G1	20				

#### Figure Dimension

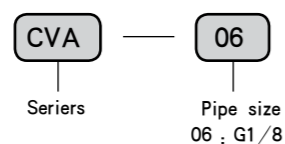


Specification	A	B	C	D	E	F	G	H
KV-06	40	26	21	8	25	φ 4.3	G1/8	16
KV-08	52	35	25	11	35	φ 5.5	G1/4	22
KV-10	70	50	41	18	48	φ 7	G3/8	30
KV-15	75	50	41	18	48	φ 7	G1/2	30
KV-20	110	70	58	22	72	φ 7	G3/4	40
KV-25	110	70	58	22	72	φ 7	G1	40

### Air Check Valve

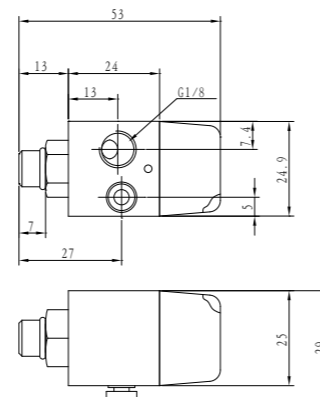


#### Ordering Code

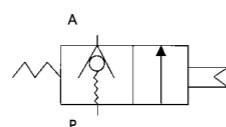


#### Figure Dimension

##### CVA-06



#### Graphics Sign



#### Technical Parameter

Specification	Item	Function	Pipe size	Nominal Diameter (mm)	Applicable Medium	Applicable Pressure Range	Lubrication	Medium Temperature
CAV-06		2 Positions/2 Ports	G1/8	4	Compressed Air	0.05 ~ 1MPa	Needless	-5 ~ 60°C

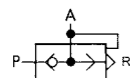


### Quick Exhaust Valve

#### ● Character

It is a one-way directional control element and can discharge the compressed air in the system rapidly. It is normally installed between the air cylinder and change valve and makes the air in the cylinder escape directly through this valve, not through change valve. It is applied to the locations where the quick discharge of pneumatic units or equipments are required.

#### ■ Graphics Sign



● QV-06

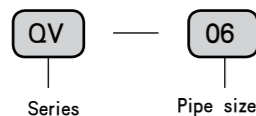


● QV-08



● QV-10

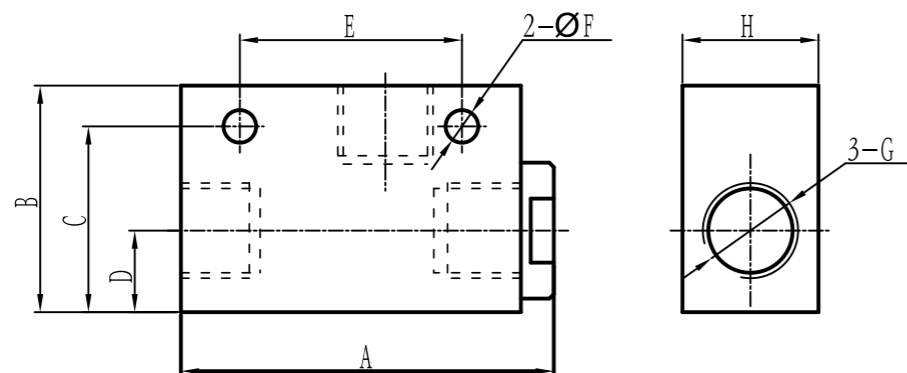
#### ● Ordering Code



#### ■ Technical Parameter

Item Specification	Pipe Size	Nominal Diameter (mm)	Min. Operating Pressure	Applicable Medium	Pressure Range	Medium Temperature
QV-06	G1/8	6	≥ 0.03 MPa	Air	0.05 ~ 1.2 MPa	-5 ~ 60°C
QV-08	G1/4	8				
QV-10	G3/8	10	≥ 0.04 MPa			
QV-15	G1/2	15				
QV-20	G3/4	20	≥ 0.05 MPa			
QV-25	G1	25				

#### ■ Figure Dimension



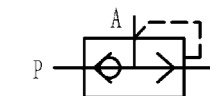
Specification	A	B	C	D	E	F	G	H
QV-06	45	32	27	11	30	φ 4.3	G1/8	22
QV-08	61.5	40	32	16	39	φ 5.5	G1/4	26
QV-10	61.5	40	32	16	39	φ 5.5	G3/8	26
QV-15	99	60	50	20	60	φ 8.5	G1/2	40
QV-20	99	60	50	20	60	φ 8.5	G3/4	40
QV-25	113	75	63	26	80	φ 8.5	G1	50

### Quick Exhaust Valve

#### ● Character

This series is one-way type of auxiliary components, simple structure, beautiful appearance, easy to use, pneumatic components or device used to quickly exhaust the occasions.

#### ■ Graphics Sign



● XQ-M5



● XQ170600

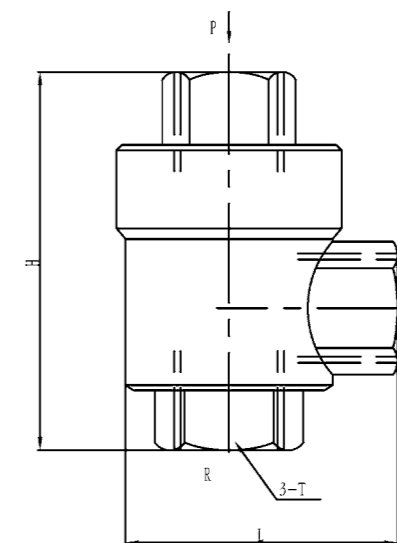


● XQ171500

#### ■ Technical Parameter

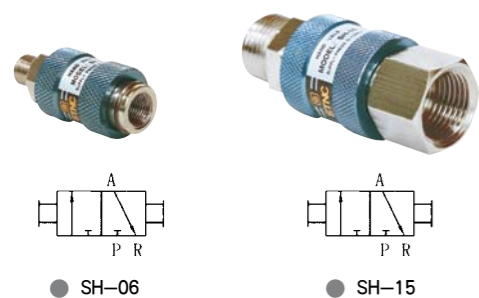
Item Specification	Pipe Size	Nominal Diameter (mm)	Min. Operating Pressure	Durable (Million)	Pressure Range	Switching time
XQ-M5	M5	4	-	≥ 200	0.12 ~ 1.0	≤ 0.03
XQ170600	G1/8	6	≥ 0.3			≤ 0.03
XQ170800	G1/4	6	≥ 0.9			≤ 0.03
XQ171000	G3/8	8	≥ 2.5			≤ 0.04
XQ171500	G1/2	15	≥ 4.5			≤ 0.05

#### ■ Figure Dimension



Specification	XQ-M5	XQ170600	XQ170800	XQ171000	XQ171500
T	M5	G1/8	G1/4	G3/8	G1/2
H	37	39	51	68	77
L	32	32	45	62	86

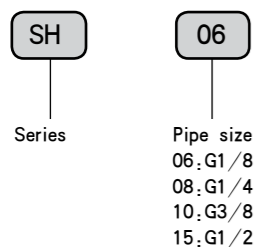
### Hand Slipping Valve



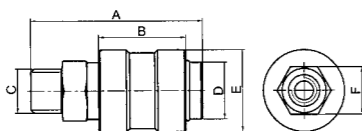
#### Technical Parameter

Item Specification	Pipe size	Nominal Diameter (mm)	Applicable Medium	Pressure Range	Medium Temperature
SH-M5	M5	2.5	Air	0 ~ 1.0MPa	-5 ~ 60°C
SH-06	G1/8	6			
SH-08	G1/4	8			
SH-10	G3/8	10			
SH-15	G1/2	15			

#### Ordering Code

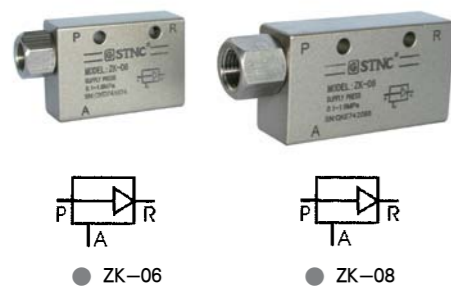


#### Figure Dimension



Specification	SH-M5	SH-06	SH-08	SH-10	SH-15
A	38	47	55	57	72
B	20	26	30	30	30
C	M5	G1/8	G1/4	G3/8	G1/2
D	φ 10	φ 14	φ 18	φ 21	φ 21
E	φ 16	φ 21	φ 26	φ 30	φ 30
F	12	15	19	22	24

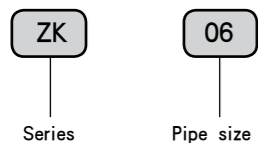
### Vacuum operating Valve



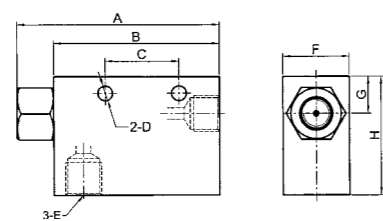
#### Technical Parameter

Item Specification	Pipe Size	Nozzle Dia. (mm)	Applicable Medium	Air displacement L/Min	Up-to Vacuum degree -Kpa(-mmHg)	Air Consumption L/min	Applicable pressure -Mpa(Kgf/cm²)	Medium Temperature
ZK-06	G1/8	1	Air	27	-91.8(690)	44	0.5(5)	0 ~ 60°C
ZK-08	G1/4	1.5		63	-91.8(690)	100	0.5(5)	
ZK-10	G3/8	2		110	-91.8(690)	180	0.5(5)	

#### Ordering Code



#### Figure Dimension



Specification	ZK-06	ZK-08	ZK-10
A	55	78	105
B	45	63	85
C	20	25	31.5
D	φ 4	φ 4.6	φ 6
E	G1/8	G1/4	G3/8
F	16	20	25
G	10	11	15
H	32	35	40

### Shocking Equipment

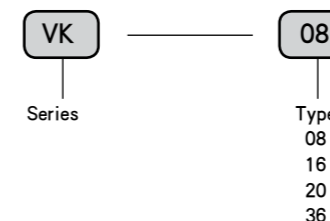


#### Character

本振荡器是以压缩空气为动力带动不锈钢球旋转而产生一定频率的激振，从而使所带的部件振动，以达到搅拌和均匀混合的效果。

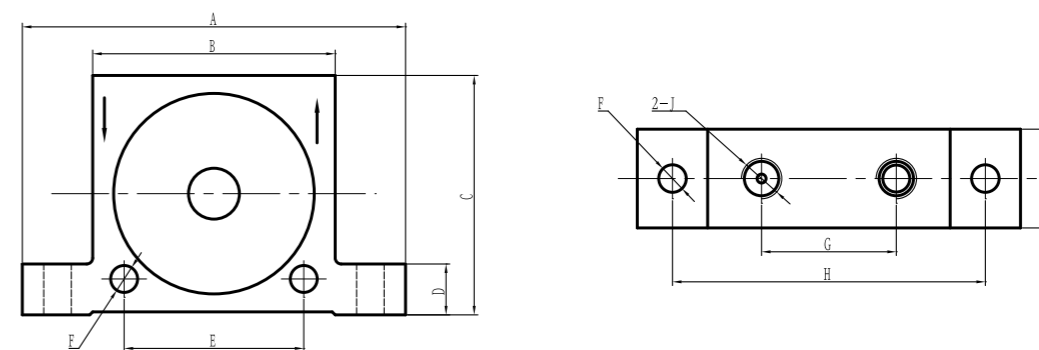
该振荡器的振动频率在一定范围内可根据进气压力的大小进行调节，适用于食品饮料医药等轻工行业及类似的机械行业。

#### Ordering Code



#### Technical Parameter

Type	VK08	VK16	VK20	VK36
Applicable Medium	Filtrate compress Air (Lubrication or No-Lubrication)			
Design	Steel ball rotary acting			
Install Method	Dos shell 2- φ9 hole			
Note	Pay attention the showout with entrance and exit of			



#### Figure Dimension

Type	A	B	C	D	E	F	G	H	I	J
VK-08	86	51	50	12	38.5	φ 6.5	27	68	21	G1/4
VK-16	113	66	65.5	17	50	φ 9	40	90	28	G1/4
VK-20	128	84	80	17	61	φ 9	55	105	38	G1/4
VK-36	161	105	100	21	80	φ 11	72	130	50	G1/4

### ZDZ23 Series Textile Plastic Compound Valve

● Character

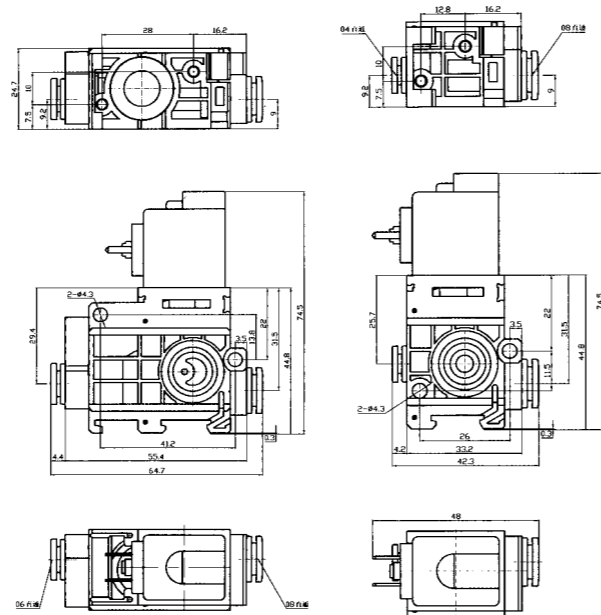
The company produces plastic combination valve for the textile industry, appearance, reliable performance and long service life.



ZDZ23-08/04  
Direct Action



ZDX23-08/06  
Pilot Action



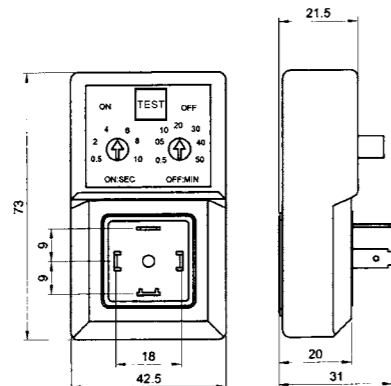
■ Technical Parameter

Item Specification	Nominal Diameter	Medicm	Pressure Range	Action time	Applicable Temperature	Service Life
ZDZ23-08/04	ø1.2	Air	0 ~ 0.8MPa	≤ 20ms	-5 ~ 60°C	≥ 5 Million
ZDX23-08/06	ø6		0.15 ~ 0.8MPa			

### Simulation and Figure Electric Timer



Type : XY-702



Item \ Specification	XY-702
Voltage	24 . .240V AC/DC-50Hz/60Hz
Stalic state electricity	4mA Max
Temperature when working	-10° + 50°
Range of protect	IP65-EN60529
Voltage	400V Max
Switch Capability	1A
Instantaneous current	10A for 10ms
Switch life	3 X 10 <sup>8</sup>
Fist note	Yellow LED
Connection mode	DIN43650A

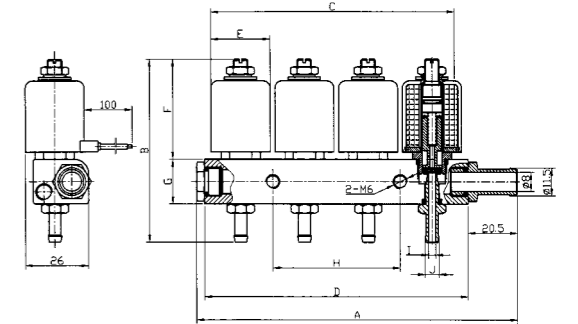
### TX Ser Vehide Gas Valve



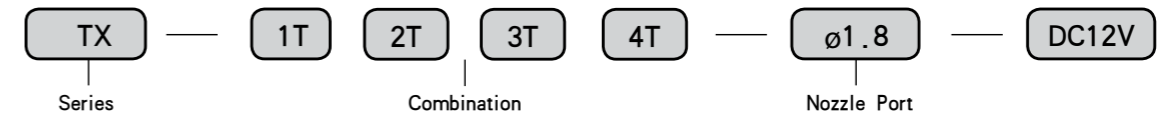
TX-1T



TX-3T



● Ordering Code



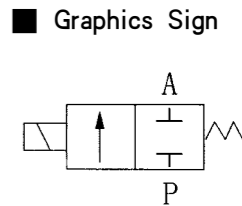
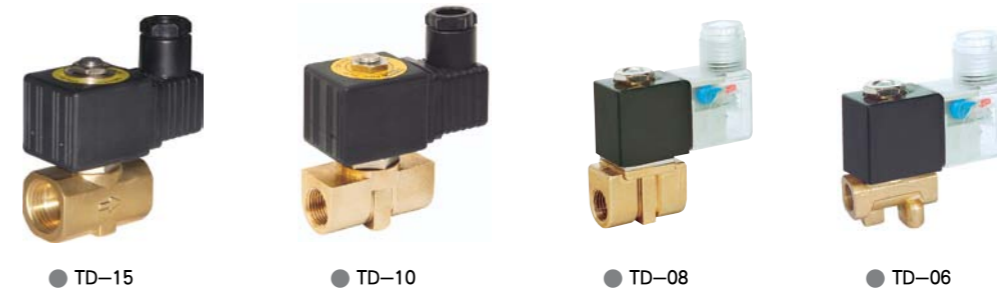
■ Technical Parameter

Item Specification	Structure Type	Nozzle	Medicm	Pressure Range	Operating Method	Max Action Frequency	Applicable Temperature
TX Series	2 Position/2 Ports	ø1.5 ø1.8 ø2.2 ø2.5 ø3 ø3.5	Air Oil Liquefied Gas	0.05 ~ 0.6MPa	Direct Action Type	30 Cycle/Sec	-10 ~ 150°C

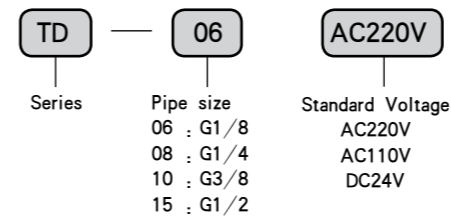
Item	A	B	C	D	E	F	G	H	I	J
TX-1T	57	75	40	33.5	ø24	40	18.5	20.5	ø2.5	ø5.7
TX-2T	81	75	51	57.5	ø24	40	18.5	23	ø2.5	ø5.7
TX-3T	111	75	77	88	ø24	40	18.5	26.5	ø2.5	ø5.7
TX-3T	134	75	104	110.5	ø24	40	18.5	53	ø2.5	ø5.7



TD Series Solenoid Valve



● Ordering Code



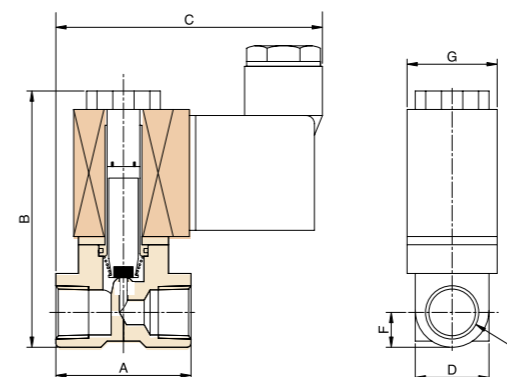
■ Specific Property

This valve has direct action type piston and quick action, with multiple purposes, high efficiency, long service life, good waterproof performance, multiple wiring directions and handsome shape.

■ Technical Parameter

Item \ Specification	TD-06	TD-08	TD-10	TD-15
Material of Body	Brass			
Control Method	Direct Action Type			
Pipe Size	G1/8	G1/4	G3/8	G1/2
Nominal Diameter (mm)	2	2	3	3
Pressure Range	0 ~ 1.0MPa			
Applicable Medium	Air	Water	Oil	
Medium Temperature	-10 ~ 60°C	1 ~ 60°C	-5 ~ 60°C	
Specified Voltage	AC24V, AC36V, AC110V, AC220V, DC24V, DC110V			
Operating Voltage Range	± 10%			
Min. Activating Time	0.05S			

■ Figure Dimension



Specification	A	B	C	D	E	F	G
TD-06	33	65	65	18	G1/8	9	22
TD-08	33	65	65	18	G1/4	9	22
TD-10	49	68	78	23	G3/8	10	34
TD-15	54	69	80	25	G1/2	12.5	34



### TE Series Solenoid Valve



● TE-15

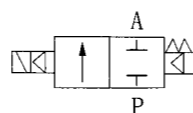


● TE-20

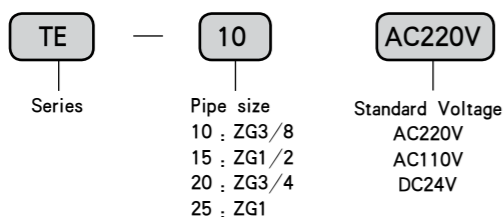


● TE-25

#### Graphics Sign



#### Ordering Code



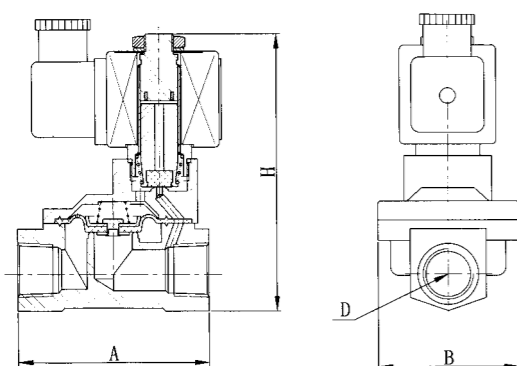
#### Specific Property

This guiding type valve adopts the diaphragm seal structure with quick action, large flow, simple structure, easy maintenance, good waterproof performance and multiple wiring directions.

#### Technical Parameter

Item \ Specification	TE-10	TE-15	TE-20	TE-25
Material of Body	Brass			
Operating Method	Film Pilot			
Nominal Diameter (mm)	13	13	20	25
Applicable Medium	Air	Water	Oil (在 50CST 以下)	
Pressure Range	-10 ~ 60°C	1 ~ 60°C	-5 ~ 60°C	
Medium Temperature	0.1 ~ 1MPa			
Specified Voltage	AC24V、AC110V、AC220V、DC24V			
Operating Voltage Range	±10%			
Min. Activating Time	0.05S			

#### Figure Dimension



Specification	A	B	D	H
TE-10	66	48	ZG3/8	112
TE-15	66	48	ZG1/2	112
TE-20	96	70	ZG3/4	131
TE-25	96	70	ZG1	131

### TW Series Solenoid Valve



● TW-25

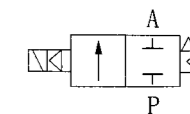


● TW-20

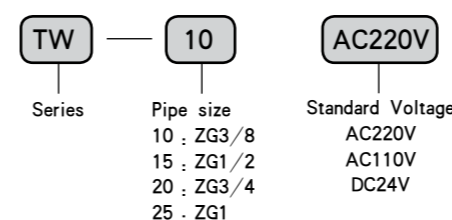


● TW-15

#### Graphics Sign



#### Ordering Code



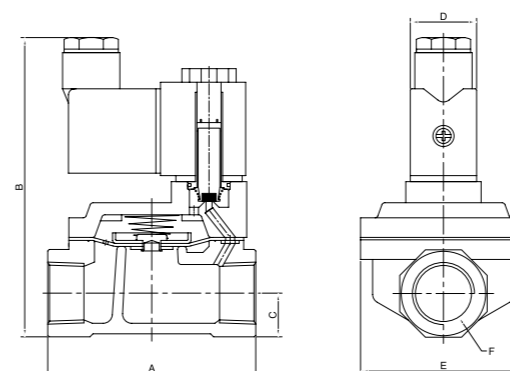
#### Specific Property

This guiding type valve adopts the diaphragm seal structure, with zero differential pressure starting function, large flow, simple structure, easy maintenance, good waterproof performance and multiple wiring directions.

#### Technical Parameter

Item \ Specification	TW-10	TW-15	TW-20	TW-25
Material of Body	Tin Bronze			
Operating Method	Film Pilot			
Pipe Size	ZG3/8	ZG1/2	ZG3/4	ZG1
Nominal Diameter (mm)	17	17	22	27
Applicable Medium	Air	Water	Oil (在 50CST 以下)	
Pressure Range	-10 ~ 60°C	1 ~ 60°C	-5 ~ 60°C	
Medium Temperature	0.1 ~ 0.8MPa			
Specified Voltage	AC24V、AC36V、AC110V、AC220V、DC24V、DC110V			
Operating Voltage Range	±10%			
Min. Activating Time	0.05S			
Install Method	Horizontal Installation			

#### Figure Dimension



Specification	A	B	C	D	E	F
TW-10	69	86	15	22	55	ZG3/8
TW-15	69	86	15	22	55	ZG1/2
TW-20	80	93	17.5	22	60	ZG3/4
TW-25	90	105	22	22	70	ZG1

### TUW Series Solenoid Valve



● TUW-40

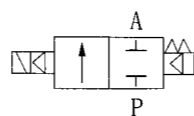


● TUW-25

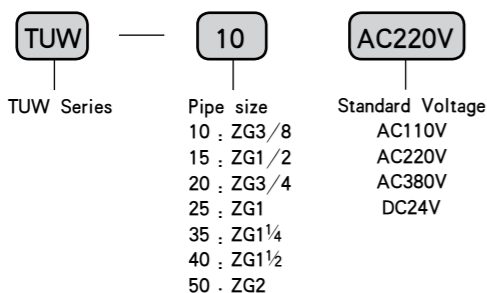


● TUW-15

#### Graphics Sign



#### Ordering Code



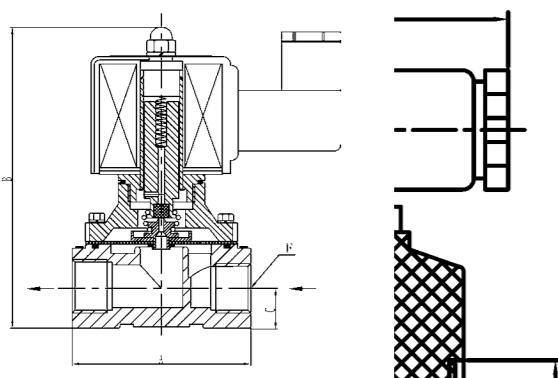
#### Character

This guiding type valve adopts the diaphragm seal structure, with zero differential pressure starting function, large flow, simple structure, easy maintenance, good waterproof performance directions and multiple wiring directions.

#### Technical Parameter

Item \ Specification	TUW-10	TUW-15	TUW-20	TUW-25	TUW-35	TUW-40	TUW-50
Material of Body	Foundry						
Operating Method	Film Pilot						
Pipe Size	ZG3/8	ZG1/2	ZG3/4	ZG1	ZG1 1/4	ZG1 1/2	ZG2
Nominal Diameter (mm)	16	20	20	25	37	37	50
Applicable Fluid	Air, Water, Oil(50CST Bellow)						
Pressure Range	0 ~ 0.8MPa						
Medium Temperature	-10 ~ 60°C (No Freeze)						
Specified Voltage	AC24V, AC36V, AC110V, AC220V, AC380V, DC24V, DC110V						
Operating Voltage Range	±10%						
Min. Activating Time	0.05S						
Install Method	Horizontal Installation						

#### Figure Dimension



Specification	A	B	C	D	E	F
TUW-10	70	102	13	φ 48	57	ZG3/8
TUW-15	70	102	13	φ 48	57	ZG1/2
TUW-20	78	110	16	φ 48	57	ZG3/4
TUW-25	92	118	19	φ 48	73	ZG1
TUW-35	122	159	25	φ 63.5	94	ZG1 1/4
TUW-40	122	162	28	φ 63.5	94	ZG1 1/2
TUW-50	170	182	35	φ 63.5	124	ZG2

### TWS Series Solenoid Valve



● TWS-50

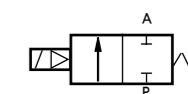


● TWS-25

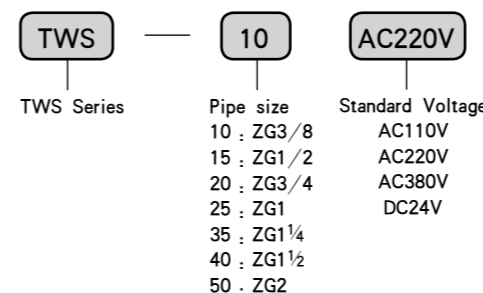


● TWS-15

#### Graphics Sign



#### Ordering Code



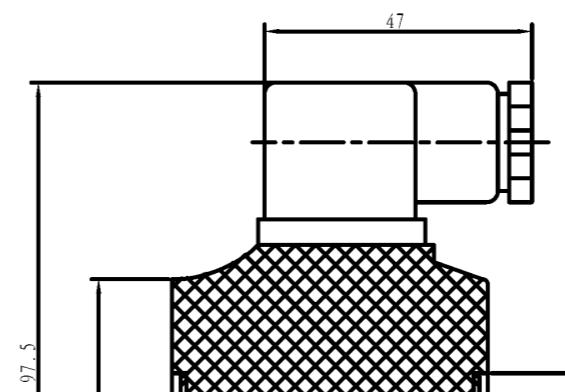
#### Character

This guiding type valve adopts the diaphragm seal structure, with zero differential pressure starting function, the body adopts stainless steel, with anticorrosion, large flow, simple structure easy maintenance, good waterproof performance and multiple wiring directions.

#### Technical Parameter

Item \ Specification	TWS-10	TWS-15	TWS-20	TWS-25	TWS-35	TWS-40	TWS-50
Material of Body	Stainless Steel						
Operating Method	Film Pilot						
Pipe Size	ZG3/8	ZG1/2	ZG3/4	ZG1	ZG1 1/4	ZG1 1/2	ZG2
Nominal Diameter (mm)	16	20	20	25	37	37	50
Applicable Fluid	Air, Water, Oil(50CST Bellow), Steam, Chemicals						
Pressure Range	0 ~ 0.8MPa						
Medium Temperature	-10 ~ 60°C (No Freeze)						
Specified Voltage	AC24V, AC36V, AC110V, AC220V, AC380V, DC24V, DC110V						
Operating Voltage Range	±10%						
Min. Activating Time	0.05S						
Install Method	Horizontal Installation						

#### Figure Dimension



Specification	A	B	C	D	E	F
TWS-10	70	102	13	φ 48	57	ZG3/8
TWS-15	70	102	13	φ 48	57	ZG1/2
TWS-20	78	110	16	φ 48	57	ZG3/4
TWS-25	92	118	19	φ 48	73	ZG1
TWS-35	122	159	25	φ 63.5	94	ZG1 1/4
TWS-40	122	162	28	φ 63.5	94	ZG1 1/2
TWS-50	170	182	35	φ 63.5	124	ZG2

### UWK Series Normally Open Solenoid Valve



● UWK-25

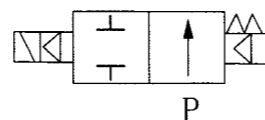


● UWK-20

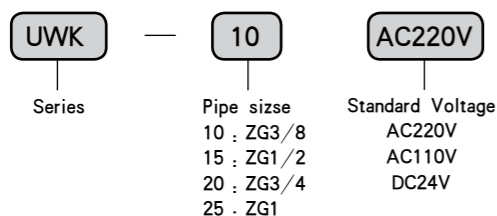


● UWK-15

#### ■ Graphics Sign



#### ● Ordering Code



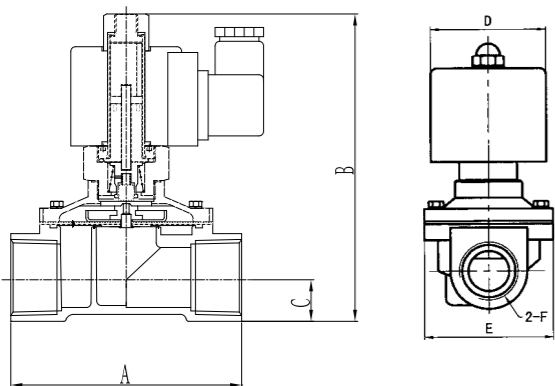
#### ■ Character

This guiding type valve adopts the diaphragm seal structure, with zero differential pressure starting function, large flow, simple structure, easy maintenance, good waterproof performance directions and multiple wiring directions.

#### ■ Technical Parameter

Item \ Specification	UWK-10	UWK-15	UWK-20	UWK-25
Material of Body	Cast copper			
Operating Method	Film Pilot			
Nominal Diameter (mm)	16	20	20	25
Applicable Medium	Air, Water, Oil (50CST Bellow)			
Pressure Range	0 ~ 0.8MPa			
Medium Temperature	-10 ~ 60°C (No Freeze)			
Specified Voltage	AC24V, AC36V, AC110V, AC220V, DC24V, DC110V			
Operating Voltage Range	±10%			
Min. Activating Time	0.05S			
Install Method	Horizontal Installation			

#### ■ Figure Dimension



Specification	A	B	C	D	E	F
UWK-10	70	128	16	φ 46	57	ZG3/8
UWK-15	70	128	16	φ 46	57	ZG1/2
UWK-20	78	136	17	φ 46	57	ZG3/4
UWK-25	102	145	23	φ 46	73	ZG1

### UH Series High-Pressure Solenoid Valve



● UH-25

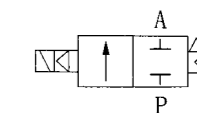


● UH-15

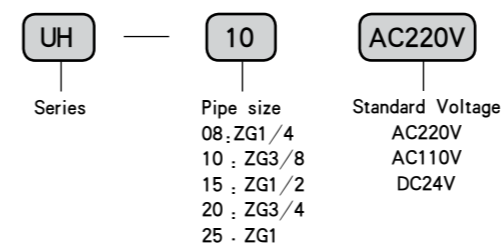


● UH-08

#### ■ Graphics Sign



#### ● Technical Parameter



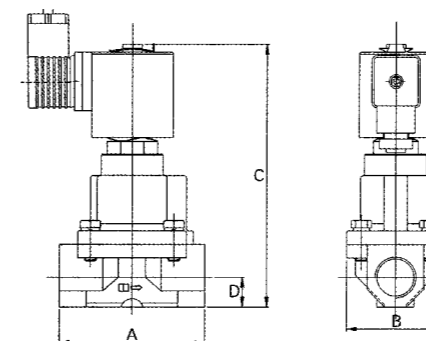
#### ■ Character

This guiding type valve adopts the diaphragm seal structure, with zero differential pressure starting function, large flow, simple structure, easy maintenance, good waterproof performance directions and multiple wiring directions.

#### ■ Technical Parameter

Item \ Specification	UH-08	UH-10	UH-15	UH-20	UH-25
Material of Body	Cast copper				
Operating Method	Plunger Pilot				
Nominal Diameter (mm)	14	14	14	20	25
Applicable Medium	Air, Water, Oil (20CST Bellow)				
Pressure Range	0.3 ~ 5.0MPa				
Medium Temperature	0 ~ 90°C (No Freeze)				
Specified Voltage	AC24V, AC36V, AC110V, AC220V, DC24V, DC110V				
Operating Voltage Range	±10%				
Min. Activating Time	0.05S				
Install Method	Horizontal Installation				

#### ■ Figure Dimension



Specification	A	B	C	D
UH-08	65	33	90	16
UH-10	65	33	90	16
UH-15	65	33	90	16
UH-20	92	45	120	20
UH-25	92	45	120	20



### TS Series High-temperature Solenoid Valve



● TS-25

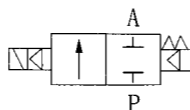


● TS-20

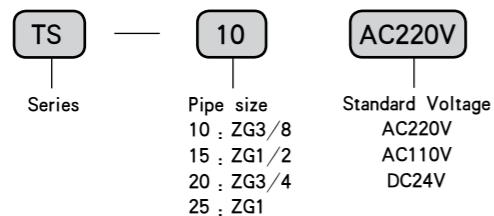


● TS-15

■ Graphics Sign



● Ordering Code



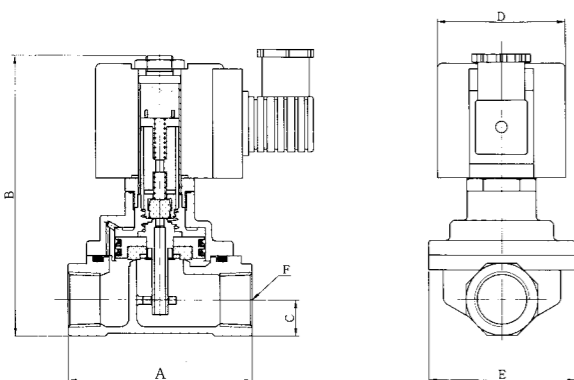
■ Character

It adopts teflon hard seal structure, with reliable performance, anticorrosion, high-temperature resistance, large flow, high pressure, good waterproof performance and with zero differential pressure starting function.

■ Technical Parameter

Item \ Specification	TS-10	TS-15	TS-20	TS-25
Material of Body	Tin Bronze			
Operating Method	Plunger Pilot			
Nominal Diameter(mm)	17	17	22	27
Applicable Medium	Air, Inert gas, Vacuum (10Torr), Water, Oil (20CST)			Steam, Lukewarm water
Pressure Range	-10 ~ 60°C (No Freeze)		5 ~ 180°C	
Medium Temperature	0 ~ 1.2MPa			
Specified Voltage	AC24V, AC36V, AC110V, AC220V, DC24V, DC110V			
Operating Voltage Range	±10%			
Min. Activating Time	0.05S			
Install Method	Horizontal Installation			

■ Figure Dimension



Specification	A	B	C	D	E	F
TS-10	69	120	15	35.5	56	ZG3/8
TS-15	69	120	15	35.5	56	ZG1/2
TS-20	80	128	17.5	35.5	60	ZG3/4
TS-25	90	139	22	35.5	70	ZG1

### TUS Series High-temperature Solenoid Valve



● TUS-50

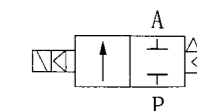


● TUS-25

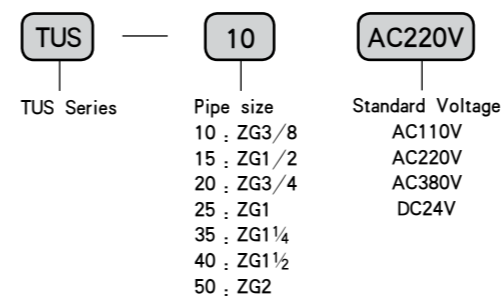


● TUS-15

■ Graphics Sign



● Ordering Code



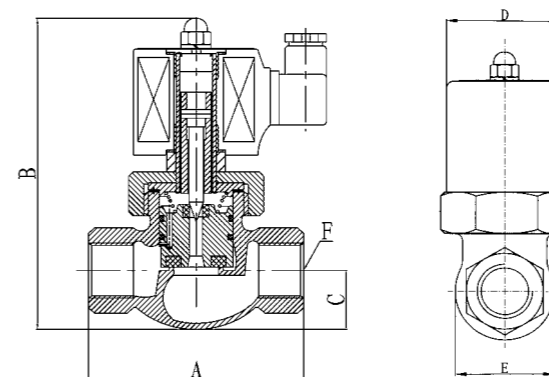
■ Character

It adopts teflon hard seal structure, with reliable performance, anticorrosion, high-temperature resistance, large flow, high pressure, good waterproof performance and multiple wiring directions.

■ Technical Parameter

Item \ Specification	TUS-10	TUS-15	TUS-20	TUS-25	TUS-35	TUS-40	TUS-50
Material of Body	Foundry						
Operating Method	Plunger pilot						
Pipe Size	ZG3/8	ZG1/2	ZG3/4	ZG1	ZG1 ¼	ZG1 ½	ZG2
Nominal Diameter(mm)	17	17	17	20	30	30	50
Applicable Fluid	Air, Water, Oil(20CST Bellow), Steam						
Pressure Range	0.05 ~ 1.5MPa						
Medium Temperature	-5 ~ 185°C (No Freeze)						
Specified Voltage	AC24V, AC36V, AC110V, AC220V, AC380V, DC24V, DC110V						
Operating Voltage Range	±10%						
Min. Activating Time	0.05S						
Install Method	Horizontal Installation						

■ Figure Dimension



Specification	A	B	C	D	E	F
TUS-10	85	136	15	φ 63.5	40	ZG3/8
TUS-15	85	136	15	φ 63.5	40	ZG1/2
TUS-20	85	136	20	φ 63.5	40	ZG3/4
TUS-25	93	146	23	φ 63.5	52	ZG1
TUS-35	112	166	35	φ 63.5	70	ZG1¼
TUS-40	112	166	35	φ 63.5	70	ZG1½
TUS-50	168	205	45	φ 63.5	86	ZG2

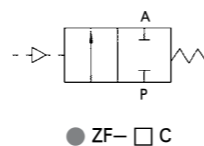
### ZF Angel-Seat Valve



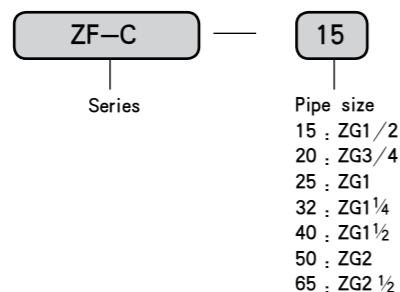
● ZF-C-15

● ZF-C-25

#### ■ Graphics Sign



#### ● Ordering Code



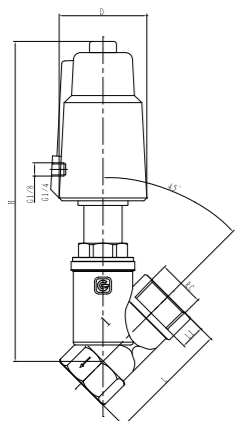
#### ■ Specific Property

Has indicator for location of open or close of valve, external pilot witch can prolong the service life, no leak for 500 million times, free maintenance, has adjustable airproof cover between relief orifice and slide block. Material of body: stainless steel. Control air source: neutral gas, air.

#### ■ Technical Parameter

Item \ Specification	ZF-C-15	ZF-C-20	ZF-C-25	ZF-C-35	ZF-C-40	ZF-C-50	ZF-C-65
Material of Body	Stainless Steel						
Operating Method	Plunger Pilot						
Applicable Medium	Air, Water, Oil, Steam(50CST Bellow)						
Pipe Size	ZG1/2	ZG3/4	ZG1	ZG1¼	ZG1½	ZG2	ZG2½
Nominal Diameter mm	13	20	25	32	40	50	65
Kv (m3/h)	4.2	8	19	27.5	42	55	90
Pressure Range MPa	0 ~ 1.6						
Min. Control Pressure MPa	0.3 ~ 0.8						
Actuator Dimension φ mm	50	50	50	80	80	80	100

#### ■ Figure Dimension



Pipe Size φ D	Nominal Diameter (mm)	Actuator Dimension φ mm	L	H	L1	φ D
ZG1/2	13	50	85	120	12	62
ZG3/4	20	50	95	135	12	62
ZG1	25	50	105	145	14	62
ZG1¼	32	80	142	155	16	92
ZG1½	40	80	130	200	18	92
ZG2	50	80	150	230	20	92
ZG2½	65	100	250	250	22	117

Note : The Above Flowing Direction is Inverse for the Valve Roller [G1¼, G1½, G2] with Execuator Dimension of φ63.

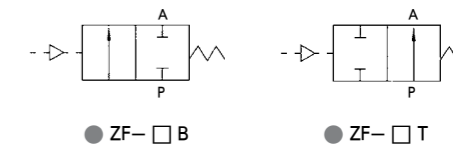
### ZF Angle-Seat Valve



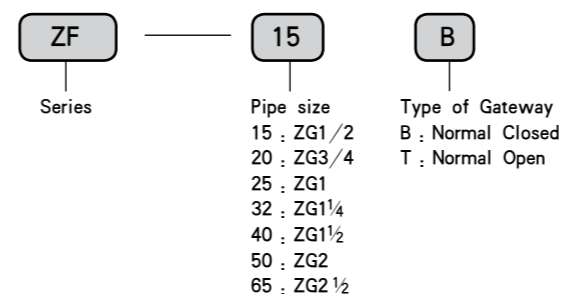
● ZF-B

● ZF-T

#### ■ Graphics Sign



#### ● Ordering Code



#### ■ Specific Property

Has indicator for location of open or close of valve, external pilot witch can prolong the service life, no leak for 500 million times, free maintenance, has adjustable airproof cover between relief orifice and slide block. Material of body: stainless steel. Control air source: neutral gas, air.

#### ■ Technical Parameter

Item \ Specification	Normal Closed	ZF-15B	ZF-20B	ZF-25B	ZF-32B	ZF-40B	ZF-50B	ZF-65B
	Normal Open	ZF-15T	ZF-20T	ZF-25T	ZF-32T	ZF-40T	ZF-50T	ZF-65T
Material of Body	Stainless Steel							
Operating Method	Plunger Pilot							
Applicable Medium	Air, Water, Oil, Steam(50CST Bellow)							
Pipe Size	ZG1/2	ZG3/4	ZG1	ZG1¼	ZG1½	ZG2	ZG2½	
Nominal Diameter mm	13	20	25	32	40	50	65	
Kv (m3/h)	4.2	8	19	27.5	42	55	90	
Pressure Range MPa	0 ~ 1.6	0 ~ 1.1	0 ~ 1.1	0 ~ 1.5	0 ~ 1.25	0 ~ 1.1	0 ~ 0.52	
Min. Control Pressure MPa	0.39	0.39	0.42	0.5	0.44	0.32	0.32	
Actuator Dimension φ mm	50	50	63	80	100	125	125	

#### ■ Figure Dimension



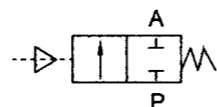
Pipe Size φ D	Nominal Diameter (mm)	Actuator Dimension φ mm	A	B	C	φ E	F	G
ZG1/2	13	50	85	173	12	64	44	137
ZG3/4	20	50	95	178	12	64	44	145
ZG1	25	63	105	212	14	80	52	173
ZG1¼	32	63	142	236	16	80	52	189
ZG1½	40	63	130	230	18	80	52	189
ZG2	50	63	150	238	20	80	52	205
ZG2½	65	80	250	250	22	100	62	240

### ZF-A Series Angel-seat Valve

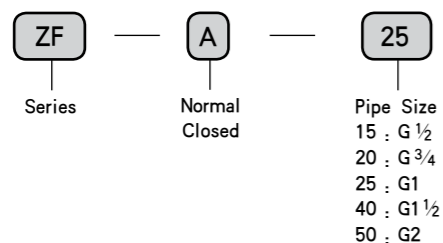


- ZF-A-35
- ZF-A-40
- ZF-A-50
- ZF-A-15
- ZF-A-20
- ZF-A-25

#### Graphics Sign



#### Ordering Code



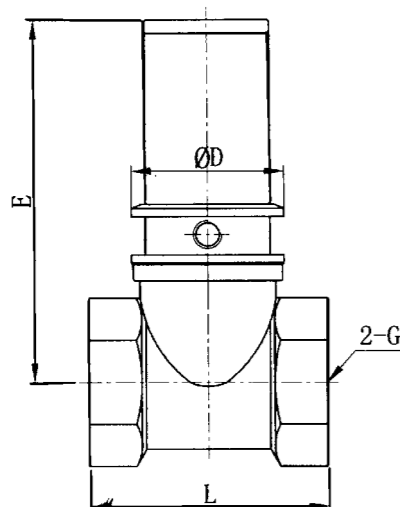
#### Character

This flashboard valve adopts the air operated model control, with long life, perform reliably, Easy to operate and it is suitable in the place which refuses the power source.

#### Technical Parameter

Item \ Specification	ZF-A-15	ZF-A-20	ZF-A-25	ZF-A-35	ZF-A-40	ZF-A-50
Material of Body	Brass					
Operating Method	Plunger pilot					
Pipe Size	G 1/2	G 3/4	G1	G1 1/4	G1 1/2	G2
Nominal Diameter (mm)	23			34		
Applicable Medium	Air, Water, Oil (50CST Below)					
Pressure Range	0 ~ 0.6Mpa					
Medium Temperature	-5°C ~ 60°C (No Freeze)					
Control Pressure Range	0.3 ~ 0.5Mpa					

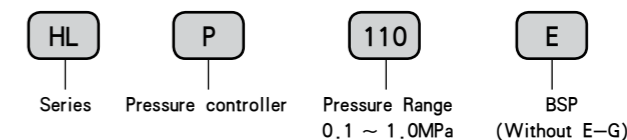
#### Figure Dimension



Specification	L	D	G	E
DN15	48	ø30	G 1/2	84
DN20	55	ø36.5	G 3/4	91
DN25	68	ø44.6	G1	96
DN35	84	ø70	G1 1/4	140
DN40	84	ø70	G1 1/2	140
DN50	100	ø70	G2	145

### HLP Series Pressure Controller

#### Ordering Code



#### Character

It is applied to the refrigerant not only using hydrogen fluoride as medium, But also using air and liquid (allowable liquid temperature: -45~+110 c). The novel micro switch structure will ensure reliable transform function. The smart installation plate is applicable to different places.

#### Slight Moving Switch's Date

Specified Electric Current A	Specified Voltage V	
	A.C. 125	A.C. 250
Disguise Electric Current	48	12
Maximum Load	48	12
Winking Electric Current	288	72



- HLP110
- HLP506
- HLP506M



- HLP530M



- HLP830HLM



- HLP830M

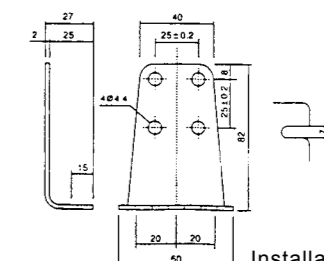
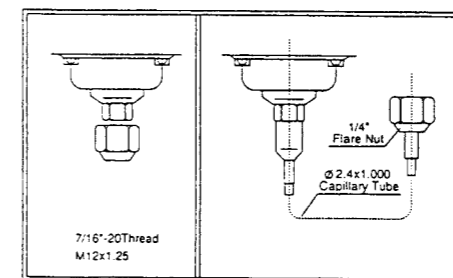
#### Single Series (MPa)

Type	Regulator Limits		Switch Voltage Disparity		Setting Up Of Leaving The Factory		
	Min	Max	Min	Max	Cut-off[Link-up]	Link-up[Cut-off]	
HLP110	0.1	1	0.1	0.3	0.6	0.5	
HLP506	-0.07	0.6	0.06	0.4	0.3	0.2	
HLP506M	-0.07	0.6	Duplicate Voltage Disparity ≤ 0.4		0.3	Manual Restoration	
HLP530	0.5	3	Fixed 0.3 to 0.5		2	1.5	
HLP530D	0.5	3	0.5	1	2	1.5	
HLP530M	0.5	3	Duplicate Voltage Disparity ≤ 0.4		2	Manual Restoration	
HLP830	low voltage end	-0.07	0.6	0.06	0.4	0.3	0.2
	high voltage end	0.5	3	Fixed 0.3 to 0.5		2	1.5
HLP830HLM	low voltage end	-0.07	0.6	Duplicate Voltage Disparity ≤ 0.2		0.3	Manual Restoration
	high voltage end	0.5	3	Duplicate Voltage Disparity ≤ 0.4		2	Manual Restoration
HLP830HM	low voltage end	-0.07	0.6	0.06	0.4	0.3	0.2
	high voltage end	0.5	3	Duplicate Voltage Disparity ≤ 0.4		2	Manual Restoration
HLP830M	low voltage end	-0.07	0.6	0.06	0.4	0.3	0.2
	high voltage end	0.5	3	Duplicate Voltage Disparity ≤ 0.4		2	Manual Restoration

#### Way of connection and installation

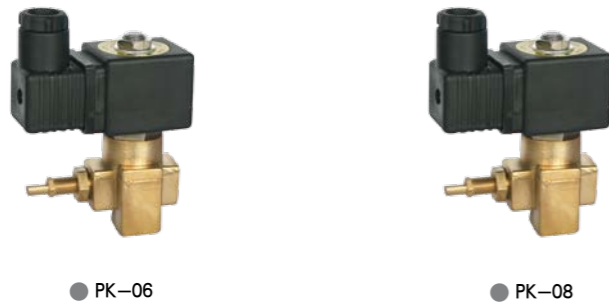
- Way of connection: Way of connection of controller: (1) use 6x1 copper tube (It should be soft state), and then screw tight with controller's screw cap in the tube 90 degree trumpet. (2) connect with 1meter-long 3 capillary (It should be required when ordering.) (See figure below).
- Way of installation: Way of installation of controller: (1) install with four M4 installation bore in the back of controller. (2) choose to use allpurpose installation board attachment. (See figure below).

#### Way of connection

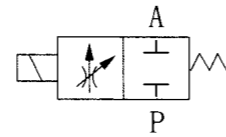


Installation size for attachments

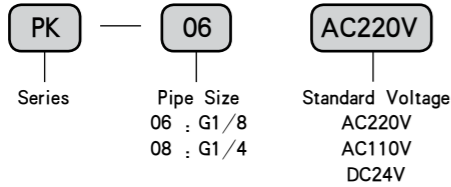
### PK Series Solenoid Valve



#### Graphics Sign



#### Ordering Code



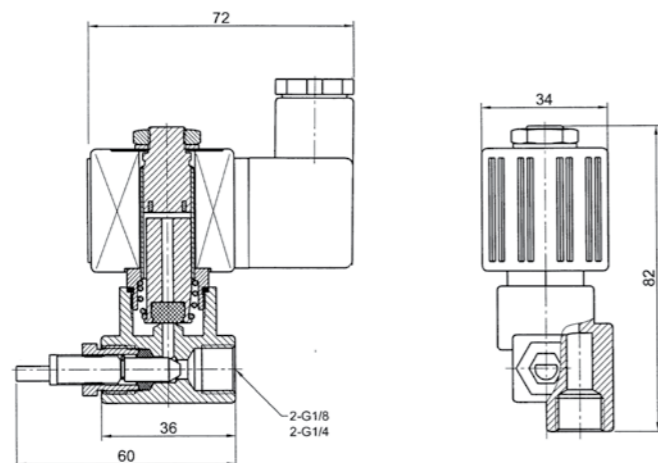
#### Character

This valve adopts direct piston action and quick action, with multiple purposes, high efficiency, long service life, good waterproof performance, multiple wiring directions, handsome shape and adjustable flow.

#### Technical Parameter

Item \ Specification	PK-06	PK-08
Material of Body	Tin Bronze	
Operating Method	Direct Action Type	
Nominal Diameter(mm)	3	3
Applicable Medium	Air, Water, Oil(50CST Below), Steam	
Pressure Range	0 ~ 1.0MPa	
Medium Temperature	-10 ~ 85°C (No Freeze)	
Specified Voltage	AC24V, AC36V, AC110V, AC220V, DC24V, DC110V	
Operating Voltage Range	±15%	
Min. Activating Time	0.05S	

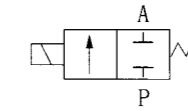
#### Figure Dimension



### TF Series Solenoid Valve



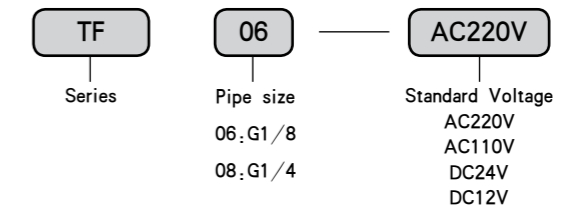
#### Graphics Sign



#### Character

活塞直动式，快速反应。  
可多用途使用。  
高效率，长寿命。  
优良的防水性能。  
配线方向灵活。  
外形美观。

#### Ordering Code

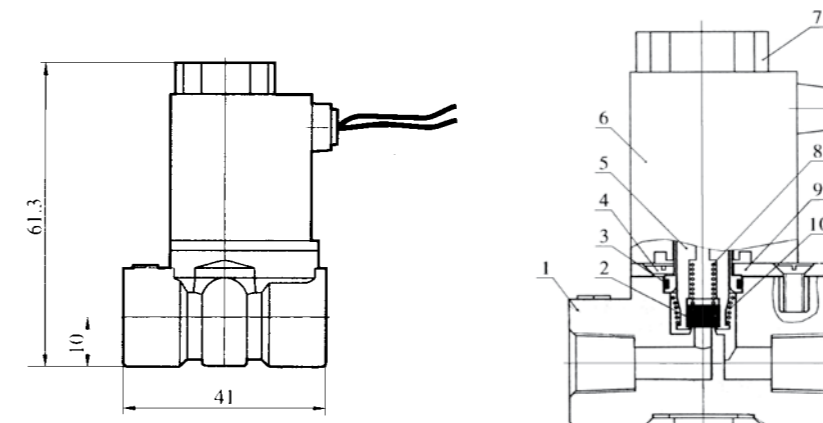


● TF-06 ● TF-08

#### Technical Parameter

Item \ Specification	TF-06	TF-08
Applicable Medium	Air, Water, Oil, Gas	
Operating Method	Direct Action Type	
Model	Normal closed	
Aperture	2.5	
CV value	0.23	
Pipe Size	G1/8"	G1/8"
Applicable Fluid consistence	Lower than 20CST	
Using pressure Kg/cm <sup>2</sup>	0 ~ 7.0	
Highest pressure Kg/cm <sup>2</sup>	1.0	
Medium Temperature	-5 ~ 60°C (No Freeze)	
The range of voltage	±10%	
Material of Boey	project models steel	
Material of Seal	VITON	

#### Figure Dimension



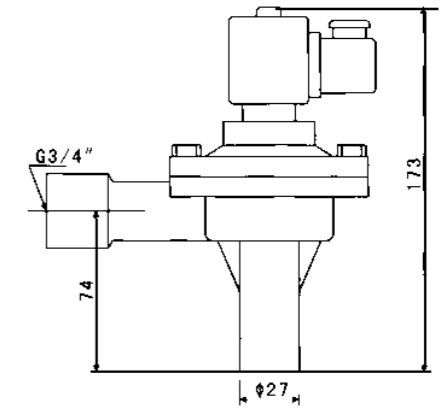
Serial number	Name
1	Body
2	Prevent leak mat
3	O-Ring
4	Cross sunk screw
5	Movable iron
6	Coil combination
7	Coil cap
8	Spring
9	Fixed iron sheet
10	Spring

UM Series Pulse Valve

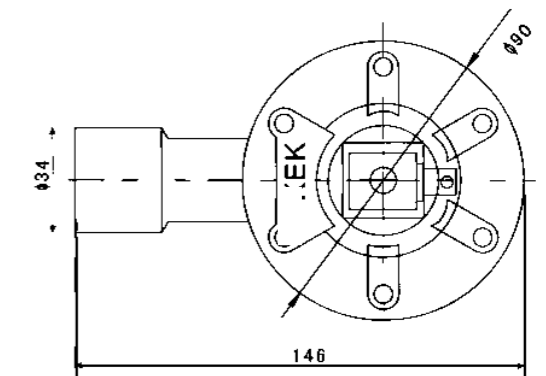
■ Character

该阀（隔膜阀）是脉冲袋式除尘器清灰喷吹系统的压缩空气“开关”，受脉冲喷吹控制仪输出信号的控制，对逐排室滤袋喷吹清灰，保证除尘器的处理能力和吸尘效率。

UM-20 基本尺寸



● UM-20



■ Technical Parameter

Item \ Specification	UM-20
工作压力	0.4 ~ 0.6MPa
工作介质	清洁空气
电压	DC24V AC220V AC110V
电流	0.8A 0.23A
使用环境	温度：-25℃ ~ +55℃，空气的相对湿度不超过 85%
膜片寿命	喷吹 100 万次或三年

II

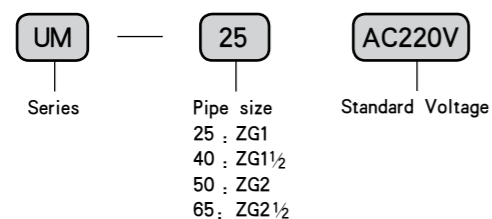
### UM Series Pulse Valve



#### Product Introduction

This valve (disk valve) is a kind of compression air switch for blast cleaning system of pulse pocket type dust catcher and is controlled by the output signal from pulse blast controller. It blast cleans the filter bag line by line (pocket by pocket) and ensure the cleaning capacity and dust absorption efficiency of dust catcher.

#### Ordering Code



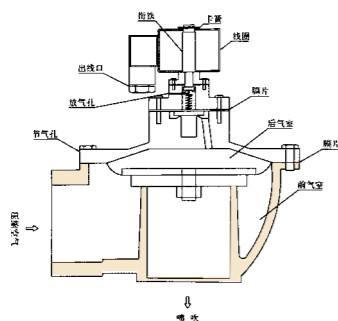
#### Installation method

Solenoid pulse valve input (in) is connected to the metal pipe of air storage cylinder, and its output is connected to the blast pipe of the dust pocket. Between the connect screw thread is filled with tetrafluoroethylene tape for seal.

#### Technical Parameter

Item \ Specification	UM-25	UM-40	UM-50	UM-65
Material of Body	Aluminum Alloy			
Operating Method	Film Pilot			
Pressure Range	0.4 ~ 0.6MPa			
Medium Temperature	-5 ~ 60°C			
Specified Voltage	AC12V, AC24V, AC36V, AC110V, AC220V, AC380V, DC12V, DC24V, DC110V			
Operating Voltage Range	±10%			
Min. Activating Time	0.05S			

#### Figure Dimension

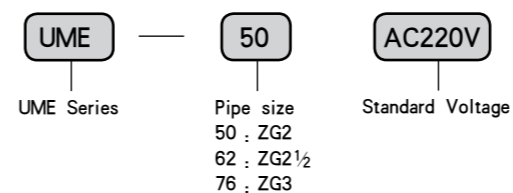


Type mm	Pipe Size	Length mm	Width mm	Height mm
UM-25	ZG1	110	85	125
UM-40	ZG1 1/2	140	125	170
UM-50	ZG2	210	190	200
UM-65	ZG2 1/2	210	190	225

### UME Series Flooding Valve



#### Ordering Code



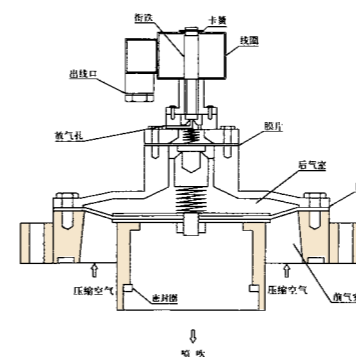
#### Product Introduction

This solenoid pulse valve is a flood type valve (also called inset valve). It is directly installed on the air bag with good straight blast and less lost of working air source. It is applied to the situation with wide range of air source pressure.

#### Technical Parameter

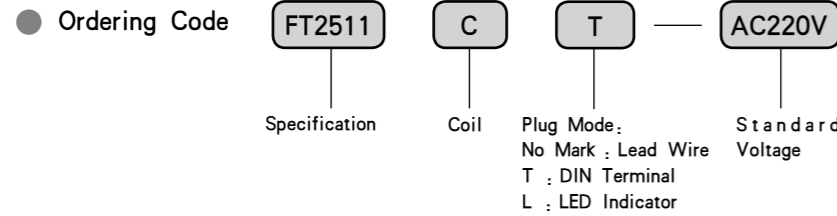
Item \ Specification	UME-50	UME-62	UME-76
Material of Body	Aluminum Alloy		
Operating Method	Film Pilot		
Pressure Range	0.2 ~ 0.6MPa		
Medium Temperature	-5 ~ 60°C		
Specified Voltage	AC12V, AC24V, AC36V, AC110V, AC220V, AC380V, DC12V, DC24V, DC110V		
Operating Voltage Range	±10%		
Min. Activating Time	0.05S		

#### Figure Dimension



Type mm	Pipe Size	Length mm	Width mm	Height mm
UME-50	ZG2	250	250	210
UME-62	ZG2 1/2	230	230	200
UME-76	ZG3	210	190	200

Coil



● Character

The coils produced by our company are in various types and specifications with handsome shape, reliable performance, long service life, low consumption of power, high and low temperature resistance, good fire resistance and high mechanical strength, it can meet the requirements of different pneumatic elements. They are multiple designed pressures for your choice. Special specifications can be made to order (AC12V~AC380V, DC6V~DC220V).

Type	Power	Picture	Figure Dimension	Suitable Type
TG2511C-□	AC220V: 4VA DC24V: 2.7W			TG2511-06 TG2512-06
TG2511CT-□	AC220V: 4VA DC24V: 2.6W			
4V210CL-□	AC220V: 5VA DC24V: 4.8W			4V210-08, 4V310-10 4V410-15, TG2321-08 TG2331-10, TG2521-08 TG2522-08T, G2531-10 TG2532-10T, G2541-15 TG2542-15T, G2521-06 TG2521-08M, TG3522-08C TG3532-10C, FG2521-08 FG2522-08, FG2531-10 FG2532-10
TG2521CL-□ TG2521CL-□S S: Die Cast Coil	AC220V: 5VA DC24V: 4.8W			
FG2521C-□	AC220V: 5VA DC24V: 4.6W			
FT2511C-□	AC220V: 4VA DC24V: 2.8W			FT2511-06 FT2512-06

Coil

Type	Power	Picture	Figure Dimension	Suitable Type
FT2521C-□	AC220V: 5.2VA DC24V: 4.8W			FT2321-08 FT2521-08 FT2522-08 FTS2511-06 FT2531-10 FT2532-10 FT2541-15 FT2542-15 FT3522-08C FT3532-10C
FT2521CT-□	AC220V: 5.2VA DC24V: 4.8W			
TM-06C-□	DC24V: 5.5W DC12V: 5.7W			TM-06
TM-08C-□	AC220V: 3.7VA DC24V: 7W DC12V: 6.1W			TM-08
VT307C-□	AC220V: 3.7VA DC24V: 5.4W			VT307
ZDZ/ZDXC-□	DC24V: 2W			ZDZ23-08/04 ZDX23-08/06
UZC-□	AC220V: 7.5VA DC24V: 11W			UZ-A-06, UZ-A-08
PKC-□	AC220V: 13VA DC24V: 9W			TD-08 TD-10 TD-15 PK-06 PK-08

Coil

Type	Power	Picture	Figure Dimension	Suitable Type
UX23-2LC-□	AC220V : 10VA DC24V : 9W			UX22-2L, UX23-2L
UD-8C-□	AC220V : 9VA DC24V : 11W			UZ-B-06, UZ-B-08 UZ-B-10 UZ-C-06, UZ-C-08 UZ-C-10 UD-8, UD-6 UF-06, UF-08, UF-10 UW-C-06, UW-C-08 UW-C-10
UW-25C-□	AC220V : 12VA DC24V : 20W			UW-25, UW-20, UW-15, UW-10, UD-10
USC-□	AC220V : 20VA DC24V : 44W			US-10, US-15, US-20, US-25, US-35, US-40, US-50, UW-35, UW-40, UW-50
TUWC	AC220V : 12.5W DC24V : 22.5W			TS-15, TS-20, TS-25, TUW-10, TUW-15 TUW-25, TWS-10 TWS-15, TWS-20 TWS-25, UWK-15 UWK-20, UWK-25
TUSC	AC220V : 20W DC24V : 30W			TUS-10, TUS-15, TUS-20 TUS-25, TUS-35, TUS-40 TUS-50, TUW-35, TUW-40 TUW-50, TWS-35, TWS-40 TWS-50

Accessories for valve

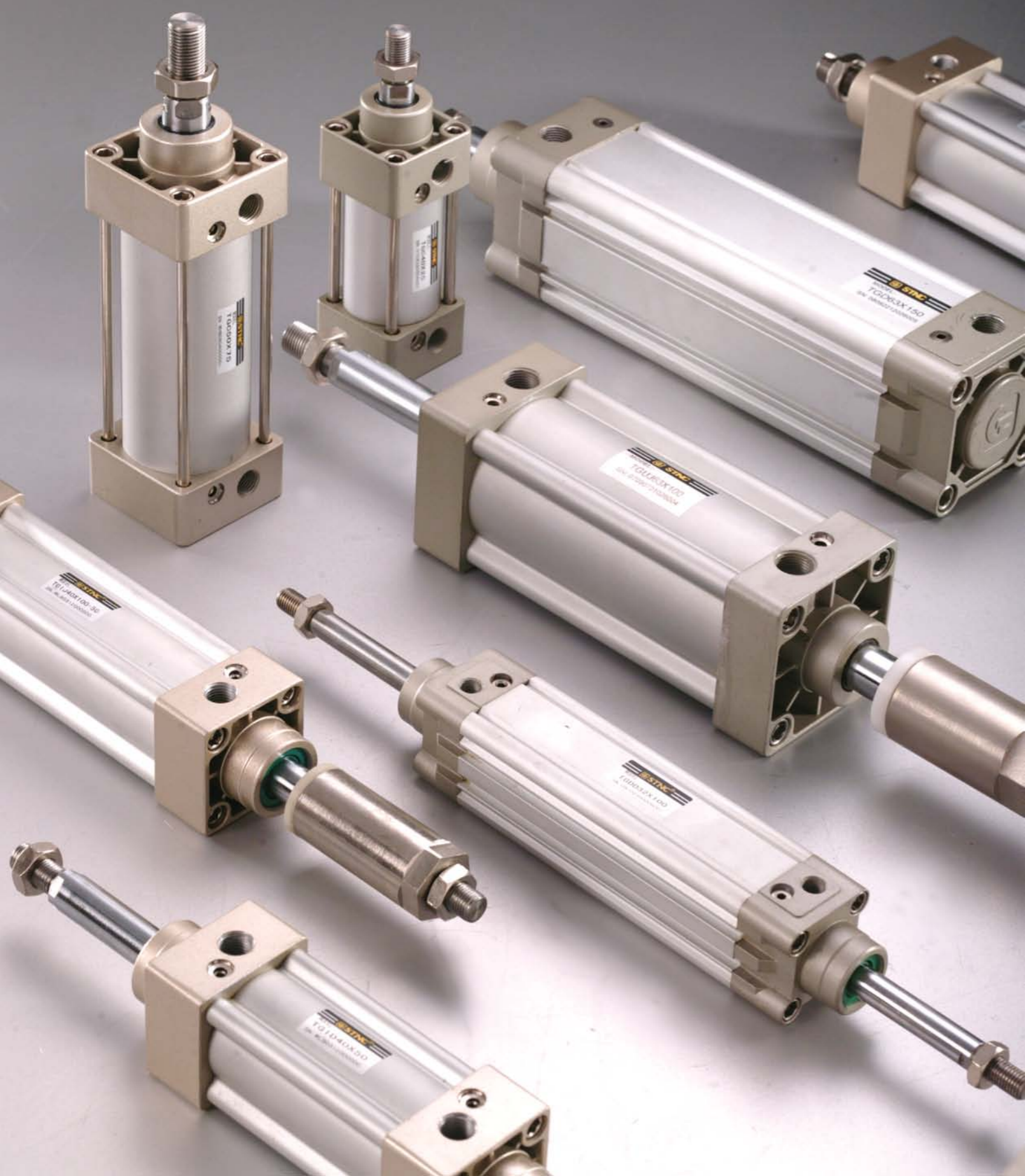
Type	Picture	Suitable Type
Pilot of valve		TG series
		TD series      US series TE series      TUS series UW series      UH series TUW series      PK series TWS series      UW-C series UWS series      UD series UWK series      UF series TS series      UZ-A/B/C series
Valve rod of FT series		FT series
Valve rod of TG series		TG series
O-ring		Valve series
Diaphragm		TW-15      TE-10 TW-20      TE-15 TW-25      TE-20 TE-25
		TUW-10    TWS-10    UW-10    UWS-10    UWK-10 TUW-15    TWS-15    UW-15    UWS-15    UWK-15 TUW-20    TWS-20    UW-20    UWS-20    UWK-20 TUW-25    TWS-25    UW-25    UWS-25    UWK-25 TUW-35    TWS-35    UW-35    UWS-35    UW-C-06 TUW-40    TWS-40    UW-40    UWS-40    UW-C-08 TUW-50    TWS-50    UW-50    UWS-50    UW-C-10



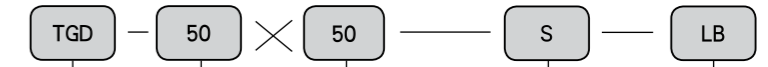


### TGD Serious Standard Cylinder

According ISO6431, ISO15552 Standard, VDMA24562



#### Ordering Code



The Code name of magnet  
S: With magnet  
Blank: Without magnet

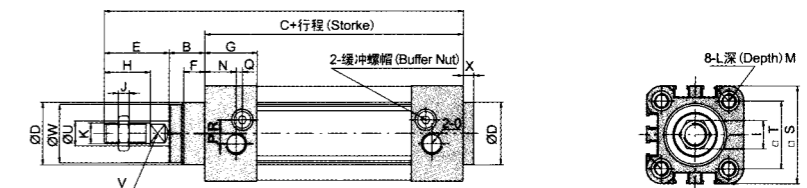
Fix type:  
Blank: Basic type  
LB: Front and back be fixed  
FA: Front port be fixed(front flange)  
FB: Back port be fixed(Back flange)  
CA: Back port be fixed(pivot type)  
CB: Back port be fixed(clevis type)

#### Standard Specification

Bore (mm)	32	40	50	63	80	100	125
Action	Double action type						
Applicable medium	Air						
Pressure range	0.1~0.9 MPa						
Proof pressure	1.35 MPa						
Temperature range	-10 ~60°C						
Speed range	50~800 mm/s						
Cushion type	Adjustable cushion						
Cushion stroke(mm)	24 mm				32 mm		38 mm
Prot Size	G1/8	G1/4		G3/8		G1/2	

#### Figure Dimension(mm)

Φ32 - Φ125



#### Theoretical Force Sheet

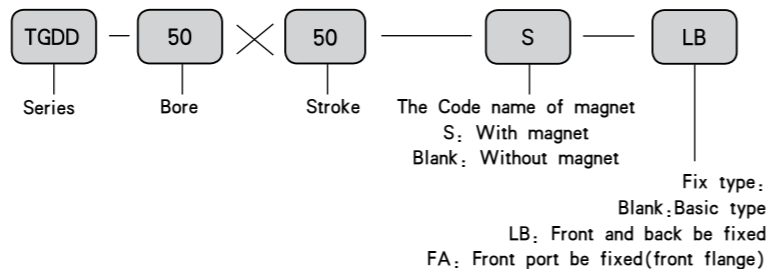
Bore/Code	A	B	C	D	E	F	G	H	I	J	K	L
32	142	16	94	30	32	10	25	22	17	6	M10×1.25	M6
40	159	20	105	35	34	10	29.5	24	17	7	M12×1.25	M6
50	175	27	106	40	42	10	32	32	23	8	M16×1.5	M8
63	190	26	122	45	42	10	36	32	23	8	M16×1.5	M8
80	214	35	127	45	52	10	37	40	26	10	M20×1.5	M10
100	229	40	137	55	52	10	39	40	26	10	M20×1.5	M10
125	279	46	160	60	73	20.5	44.7	54	-	-	M27×2	M12

Bore/Code	M	N	O	P	Q	R	S	T	U	V	W	X
32	12	15	G1/8	5	3	6.5	45	32.5	12	10	28	4
40	12	17.5	G1/4	7	3	7	52	38	16	13	33	4
50	12	21	G1/4	7	3	9	65	46.5	20	17	38	4
63	12	23	G3/8	8	5	9	76	56.5	20	17	40	4
80	12	24	G3/8	10	5	12	94	72	25	22	43	5
100	12	26	G1/2	10	5	14	112	89	25	22	47	6
125	-	22.3	G1/2	13	8	16	134	110	32	27	58	6

### TGDD Serious Standard Cylinder

According ISO6431, ISO15552 Standard, VDMA24562

#### ● Ordering Code

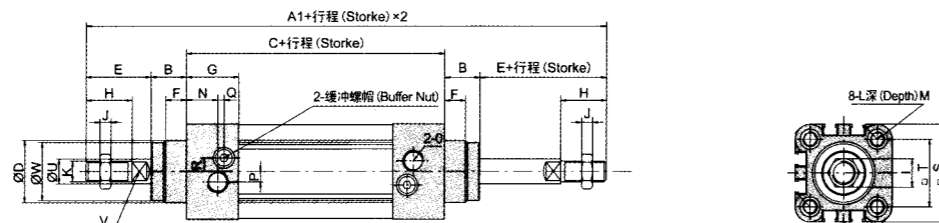


#### ■ Standard Specification

Bore (mm)	32	40	50	63	80	100	125
Action	Double action type						
Applicable medium	Air						
Pressure range	0.1~0.9 MPa						
Proof pressure	1.35 MPa						
Temperature range	-10~60°C						
Speed range	50~800 mm/s						
Cushion type	Adjustable cushion						
Cushion stroke(mm)	24 mm			32 mm		38 mm	
Prot Size	G1/8	G1/4		G3/8		G1/2	

#### Figure Dimension(mm)

Φ32 - Φ125



#### Theoretical Force Sheet

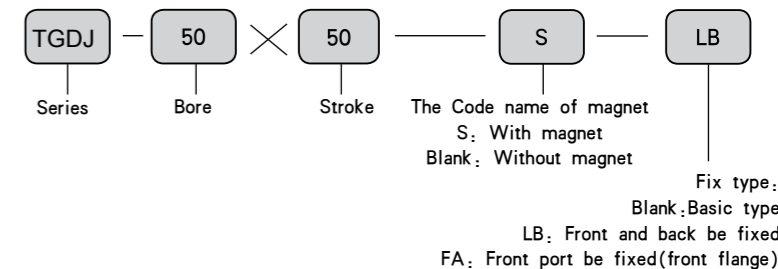
Bore/Code	A	B	C	D	E	F	G	H	I	J	K	L
32	190	16	94	30	32	10	25	22	17	6	M10×1.25	M6
40	213	20	105	35	34	10	29.5	24	17	7	M12×1.25	M6
50	244	27	106	40	42	10	32	32	23	8	M16×1.5	M8
63	258	26	122	45	42	10	36	32	23	8	M16×1.5	M8
80	301	35	127	45	52	10	37	40	26	10	M20×1.5	M10
100	321	40	137	55	52	10	39	40	26	10	M20×1.5	M10
125	352	46	160	60	73	20.5	44.7	54	-	-	M27×2	M12

Bore/Code	M	N	O	P	Q	R	S	T	U	V	W	X
32	12	15	G1/8	5	3	6.5	45	32.5	12	10	28	4
40	12	17.5	G1/4	7	3	7	52	38	16	13	33	4
50	12	21	G1/4	7	3	9	65	46.5	20	17	38	4
63	12	23	G3/8	8	5	9	76	56.5	20	17	40	4
80	12	24	G3/8	10	5	12	94	72	25	22	43	5
100	12	26	G1/2	10	5	14	112	89	25	22	47	6
125	-	22.3	G1/2	13	8	16	134	110	32	27	58	6

### TGDJ Serious Standard Cylinder

According ISO6431, ISO15552 Standard, VDMA24562

#### ● Ordering Code

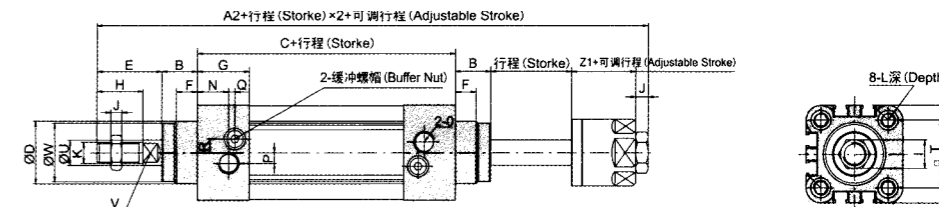


#### ■ Standard Specification

Bore (mm)	32	40	50	63	80	100	125
Action	Double action type						
Applicable medium	Air						
Pressure range	0.1~0.9 MPa						
Proof pressure	1.35 MPa						
Temperature range	-10~60°C						
Speed range	50~800 mm/s						
Cushion type	Adjustable cushion						
Cushion stroke(mm)	24 mm			32 mm		38 mm	
Prot Size	G1/8	G1/4		G3/8		G1/2	

#### Figure Dimension(mm)

Φ32 - Φ125



#### Theoretical Force Sheet

Bore/Code	A	B	C	D	E	F	G	H	I	J	K	L
32	185	16	94	30	32	10	25	22	17	6	M10×1.25	M6
40	207	20	105	35	34	10	29.5	24	17	7	M12×1.25	M6
50	233	27	106	40	42	10	32	32	23	8	M16×1.5	M8
63	247	26	122	45	42	10	36	32	23	8	M16×1.5	M8
80	288	35	127	45	52	10	37	40	26	10	M20×1.5	M10
100	308	40	137	55	52	10	39	40	26	10	M20×1.5	M10
125	-	46	160	60	73	20.5	44.7	54	-	-	M27×2	M12

Bore/Code	M	N	O	P	Q	R	S	T	U	V	W	X	Z1
32	12	15	G1/8	5	3	6.5	45	32.5	12	10	28	4	21
40	12	17.5	G1/4	7	3	7	52	38	16	13	33	4	21
50	12	21	G1/4	7	3	9	65	46.5	20	17	38	4	23
63	12	23	G3/8	8	5	9	76	56.5	20	17	40	4	23
80	12	24	G3/8	10	5	12	94	72	25	22	43	5	29
100	12	26	G1/2	10	5	14	112	89	25	22	47	6	29
125	-	22.3	G1/2	13	8	16	134	110	32	27	58	6	-

### TGI Serious Standard Cylinder

According ISO6431, ISO15552 Standard, VDMA24562

#### Character

Without lubricating: Needn't lubricating on piston rod for using oiled axletree.

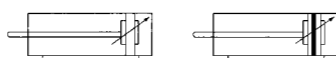
Durability: With oxidative steel tube, cover deal with electrophoresis, it is not only anticorrosive, durable and wear-resistant, but also has compact shape.

Kinds of mounting: Have kinds of accessories to choose.

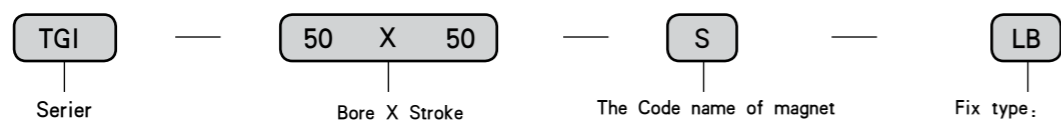
Adjustable stroke: Attached with adjustable nut, the operator can adjust the stroke within its stroke range.



#### Graphics Sign



#### Ordering Code



The Code name of magnet  
S: With magnet  
Blank: Without magnet

Fix type:  
Blank: Basic type  
LB: Front and back be fixed  
FA: Front port be fixed(front flange)  
FB: Back port be fixed(Back flange)  
CA: Back port be fixed(pivot type)  
CB: Back port be fixed(clevis type)

#### Ordering example

- 1) Bore: 50mm, Stroke: 50mm, CA installation, Code : TGI50×50-CA
- 2) Bore: 32mm, Stroke: 100mm, LB installation, Code : TGI32×100-LB

#### Standard Specification

Bore (mm)	32	40	50	63	80	100	125	160	200
Action	Double action type								
Applicable medium	Air								
Pressure range	0.1 ~ 1.0 MPa								
Proof pressure	1.5 MPa								
Temperature range	-10 ~ 60°C								
Speed range	50 ~ 500 mm/s								
Cushion type	Adjustable cushion								
Cushion stroke(mm)	24 mm				32 mm				
Prot Size	G1/8	G1/4		G3/8		G1/2		G3/4	

### TGI Serious Standard Cylinder

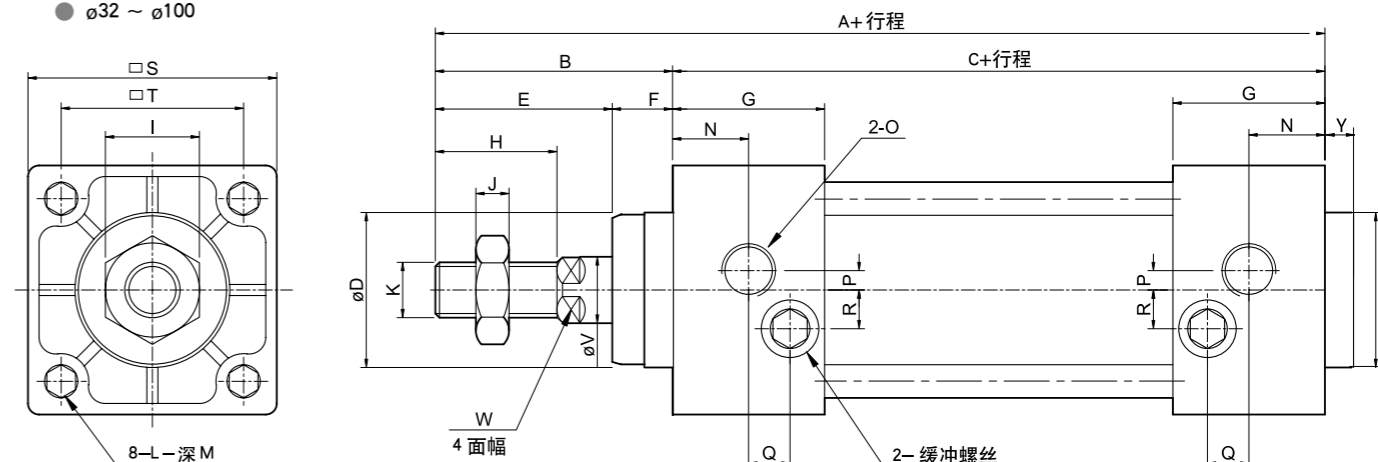
According ISO6431, ISO15552 Standard, VDMA24562

#### Stroke

Bore (mm)	Standard Stroke													Max. Stroke	Permissible Stroke								
32	25	50	75	80	100	125	150	160	175	200	250	300	350	400	450	500	1000	2000					
40	25	50	75	80	100	125	150	160	175	200	250	300	350	400	450	500	600	700	800	1200	2000		
50	25	50	75	80	100	125	150	160	175	200	250	300	350	400	450	500	600	700	800	900	1000	1200	2000
63	25	50	75	80	100	125	150	160	175	200	250	300	350	400	450	500	600	700	800	900	1000	1500	2000
80	25	50	75	80	100	125	150	160	175	200	250	300	350	400	450	500	600	700	800	900	1000	1500	2000
100	25	50	75	80	100	125	150	160	175	200	250	300	350	400	450	500	600	700	800	900	1000	1500	2000
125	25	50	75	80	100	125	150	160	175	200	250	300	350	400	450	500	600	700	800	900	1000	1500	2000
160	25	50	75	80	100	125	150	160	175	200	250	300	350	400	450	500	600	700	800	900	1000	1500	2000
200	25	50	75	80	100	125	150	160	175	200	250	300	350	400	450	500	600	700	800	900	1000	1500	2000

#### Figure Dimension (mm)

●  $\phi 32 \sim \phi 100$



Bore (mm)	A	B	C	D	E	F	G	H	I	J	K	L	N
32	142	48	94	30	29	19	27.5	22	17	6	M10X1.25	M6	13
40	159	54	105	35	33	21	32	24	17	7	M12X1.25	M6	17
50	175	69	106	40	42	27	31	32	23	8	M16X1.5	M8	15.5
63	190	69	121	45	42	27	33	32	23	8	M16X1.5	M8	16.5
80	214	86	128	45	53	33	33	40	26	10	M20X1.5	M10	16.5
100	229	91	138	55	55	36	37	40	26	10	M20X1.5	M10	18.5
125	279	119	160	60	74	45	46	54	41	13.5	M27X2	M12	23
160	332	152	180	65	94	58	50	72	55	18	M36X2	M16	25
200	347	167	180	75	100	67	50	72	55	18	M36X2	M16	25

Bore (mm)	O	P	Q	R	S	T	V	W	X	Y
32	G1/8	5.5	6	6	47	47	12	10	3	30
40	G1/4	6	7.5	8.5	53	53	16	13	3.5	35
50	G1/4	7.5	6.5	9.5	65	65	20	17	3.5	40
63	G3/8	7.5	7.5	11.5	75	75	20	17	4	45
80	G3/8	9	7.5	13.5	95	95	25	22	4	45
100	G1/2	9.5	8.5	13.5	115	115	25	22	4	55
125	G1/2	14	12	14	140	140	32	27	4	60
160	G3/4	15	12	20	180	180	40	36	4	65
200	G3/4	15	12	20	220	220	40	36	5	75

### TGID Serious Standard Cylinder

According ISO6431、ISO15552 Standard、VDMA24562

#### Character

Without lubricating: Needn't lubricating on piston rod for using oiled axletree.

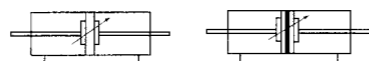
Durability: With oxidative steel tube, cover deal with electrophoresis, it is not only anticorrosive, durable and wear-resistant, but also has compact shape.

Kinds of mounting: Have kinds of accessories to choose.

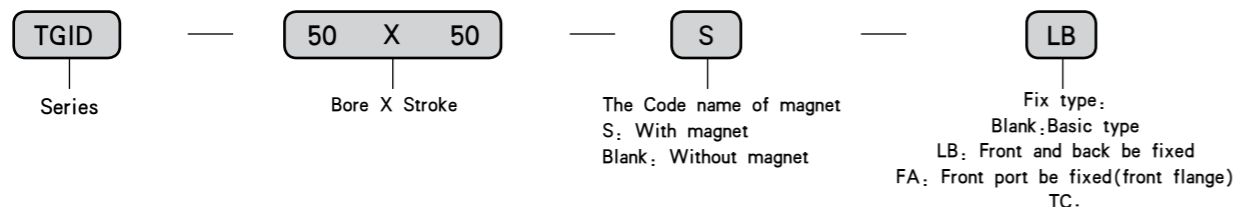
Adjustable stroke: Attached with adjustable nut, the operator can adjust the stroke within its stroke range.



#### Graphics Sign



#### Ordering Code



#### Ordering example

- 1) Bore : 63mm, Stroke:50mm, LB installation, Code : TGID63×50-LB
- 2) Bore : 32mm, Stroke:100mm, FA installation, Code : TGID32×100-FA

#### Standard Specification

Bore (mm)	32	40	50	63	80	100	125	160	200
Action	Double action type								
Applicable medium	Air								
Pressure range	0.1 ~ 1.0 MPa								
Proof pressure	1.5 MPa								
Temperature range	-10 ~ 60°C								
Speed range	50 ~ 500 mm/s								
Cushion type	Adjustable cushion								
Cushion stroke(mm)	24 mm				32 mm				
Prot Size	G1/8	G1/4		G3/8		G1/2		G3/4	

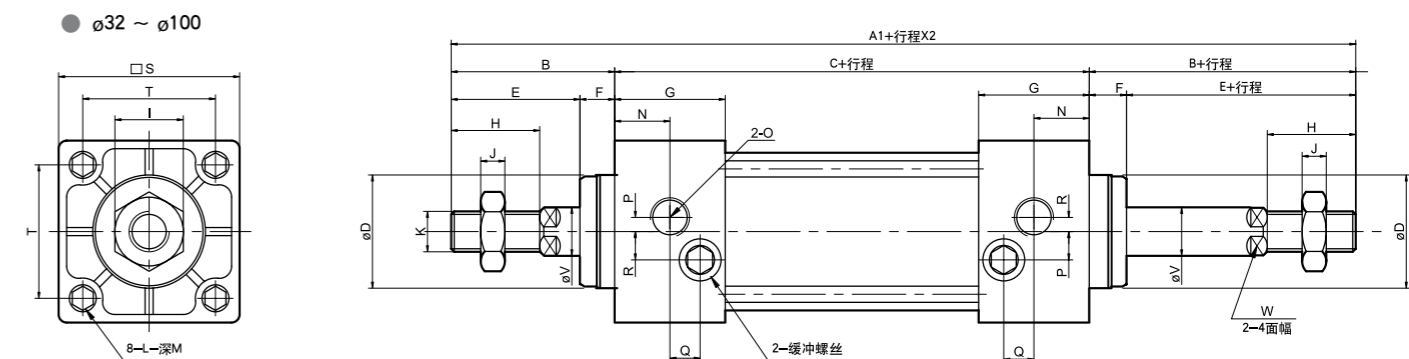
### TGID Serious Standard Cylinder

According ISO6431、ISO15552 Standard、VDMA24562

#### Stroke

Bore (mm)	Standard Stroke															Max. Stroke	Permissible. Stroke						
32	25	50	75	80	100	125	150	160	175	200	250	300	200	300									
40	25	50	75	80	100	125	150	160	175	200	250	300	200	300									
50	25	50	75	80	100	125	150	160	175	200	250	300	200	300									
63	25	50	75	80	100	125	150	160	175	200	250	300	200	300									
80	25	50	75	80	100	125	150	160	175	200	250	300	300	400									
100	25	50	75	80	100	125	150	160	175	200	250	300	300	400									
125	25	50	75	80	100	125	150	160	175	200	250	300	350	400	450	500	600	700	800	900	1000	1500	2000
160	25	50	75	80	100	125	150	160	175	200	250	300	350	400	450	500	600	700	800	900	1000	1500	2000
200	25	50	75	80	100	125	150	160	175	200	250	300	350	400	450	500	600	700	800	900	1000	1500	2000

#### Figure Dimension(mm)



Bore (mm)	A <sub>1</sub>	B	C	D	E	F	G	H	I	J	K	L	N
32	142	48	94	30	29	19	27.5	22	17	6	M10X1.25	M6	13
40	159	54	105	35	33	21	32	24	17	7	M12X1.25	M6	17
50	175	69	106	40	42	27	31	32	23	8	M16X1.5	M8	15.5
63	190	69	121	45	42	27	33	32	23	8	M16X1.5	M8	16.5
80	214	86	128	45	53	33	33	40	26	10	M20X1.5	M10	16.5
100	229	91	138	55	55	36	37	40	26	10	M20X1.5	M10	18.5
125	279	119	160	60	74	45	46	54	41	13.5	M27X2	M12	23
160	332	152	180	65	94	58	50	72	55	18	M36X2	M16	25
200	347	167	180	75	100	67	50	72	55	18	M36X2	M16	25

Bore (mm)	O	P	Q	R	S	T	V	W
32	G1/8	5.5	6	6	47	47	12	10
40	G1/4	6	7.5	8.5	53	53	16	13
50	G1/4	7.5	6.5	9.5	65	65	20	17
63	G3/8	7.5	7.5	11.5	75	75	20	17
80	G3/8	9	7.5	13.5	95	95	25	22
100	G1/2	9.5	8.5	13.5	115	115	25	22
125	G1/2	14	12	14	140	140	32	27
160	G3/4	15	12	20	180	180	40	36
200	G3/4	15	12	20	220	220	40	36

### TGIJ Serious Standard Cylinder

According ISO6431、ISO15552 Standard、VDMA24562

#### ● Character

Without lubricating: Needn't lubricating on piston rod for using oiled axletree.

Durability: With oxidative steel tube, cover deal with electrophoresis, it is not only anticorrosive, durable and wear-resistant, but also has compact shape.

Kinds of mounting: Have kinds of accessories to choose.

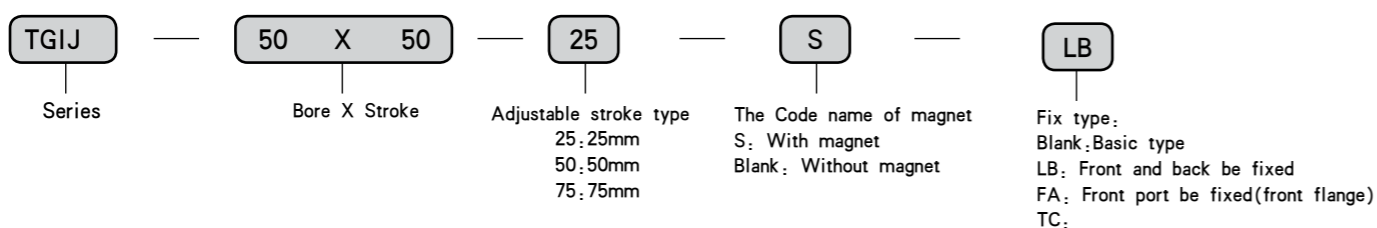
Adjustable stroke: Attached with adjustable nut, the operator can adjust the stroke within its stroke range.



#### ■ Graphics Sign



### III ● Ordering Code



#### ■ Ordering example

- 1) Bore:50mm, Stroke:50mm, Adjustable stroke:25, LB installation, Code : TGIJ50×50-25-LB
- 2) Bore:32mm, Stroke:100mm, Adjustable stroke:25, FA installation, Code : TGIJ32×100-25-FA

#### ■ Standard Specification

Bore (mm)	32	40	50	63	80	100	125	160	200
Action	Double action type								
Applicable medium	Air								
Pressure range	0.1~1.0 MPa								
Proof pressure	1.5 MPa								
Temperature range	-10 ~60°C								
Speed range	50~500 mm/s								
Cushion type	Adjustable cushion								
Cushion stroke(mm)	24 mm				32 mm				
Prot Size	G1/8	G1/4		G3/8		G1/2		G3/4	

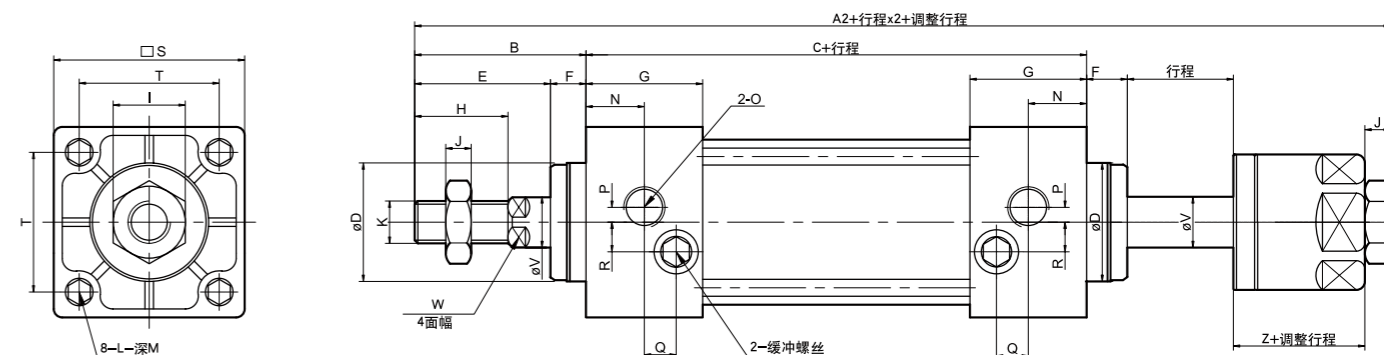
### TGIJ Serious Standard Cylinder

According ISO6431、ISO15552 Standard、VDMA24562

Bore (mm)	Standard Stroke	Max. Stroke	Permissible Stroke
32	25 50 75 80 100 125 150 160 175 200	200	300
40	25 50 75 80 100 125 150 160 175 200	200	300
50	25 50 75 80 100 125 150 160 175 200	200	300
63	25 50 75 80 100 125 150 160 175 200	200	300
80	25 50 75 80 100 125 150 160 175 200 250 300	300	400
100	25 50 75 80 100 125 150 160 175 200 250 300	300	400
125	25 50 75 80 100 125 150 160 175 200 250 300 350 400 450 500 600 700 800 900 1000	1500	2000
160	25 50 75 80 100 125 150 160 175 200 250 300 350 400 450 500 600 700 800 900 1000	1500	2000
200	25 50 75 80 100 125 150 160 175 200 250 300 350 400 450 500 600 700 800 900 1000	1500	2000

#### ■ Figure Dimension(mm)

●  $\phi 32 \sim \phi 100$



Bore (mm)	A <sub>2</sub>	B	C	D	E	F	G	H	I	J	K	L
32	190	48	94	30	29	19	27.5	22	17	6	M10X1.25	M6
40	213	54	105	35	33	21	32	24	17	7	M12X1.25	M6
50	244	69	106	40	42	27	31	32	23	8	M16X1.5	M8
63	259	69	121	45	42	27	33	32	23	8	M16X1.5	M8
80	300	86	128	45	53	33	33	40	26	10	M20X1.5	M10
100	320	91	138	55	55	36	37	40	26	10	M20X1.5	M10
125	398	119	160	60	74	45	46	54	41	13.5	M27X2	M12
160	484	152	180	65	94	58	50	72	55	18	M36X2	M16
200	514	167	180	75	100	67	50	72	55	18	M36X2	M16

Bore (mm)	N	O	P	Q	R	S	T	V	W	Z
32	13	G1/8	5.5	6	6	47	47	12	10	27
40	17	G1/4	6	7.5	8.5	53	53	16	13	28
50	15.5	G1/4	7.5	6.5	9.5	65	65	20	17	31
63	16.5	G3/8	7.5	7.5	11.5	75	75	20	17	31
80	16.5	G3/8	9	7.5	13.5	95	95	25	22	39
100	18.5	G1/2	9.5	8.5	13.5	115	115	25	22	39
125	23	G1/2	14	12	14	140	140	32	27	54
160	25	G3/4	15	12	20	180	180	40	36	68
200	25	G3/4	15	12	20	220	220	40	36	68



### TGF Series Door Pump Cylinder



#### Product characteristic

Without lubricating: Needn't lubricating on piston rod for using oiled bearing.

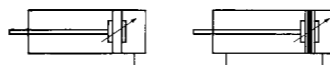
Cushion: Have adjustable buffers at the terminals of the cylinder for acting smoothly.

Kinds of mounting: Many kinds of accessory components to choose.

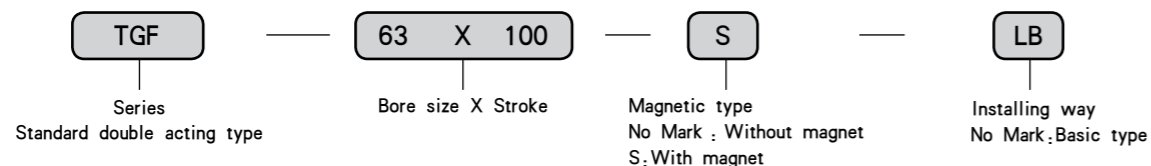
With magnet: With permanent magnet on piston, it can touch the magnet switch to track cylinder's action. optional Position:

With two cylinders linked and different valve to control, cylinder has optional working positions in the stroke.

#### Graphics Sign



#### Ordering Code



#### Example

1) Bore: 63mm, stroke: 100mm, with magnet, Code : TGF-63×100-S

#### Standard Specification

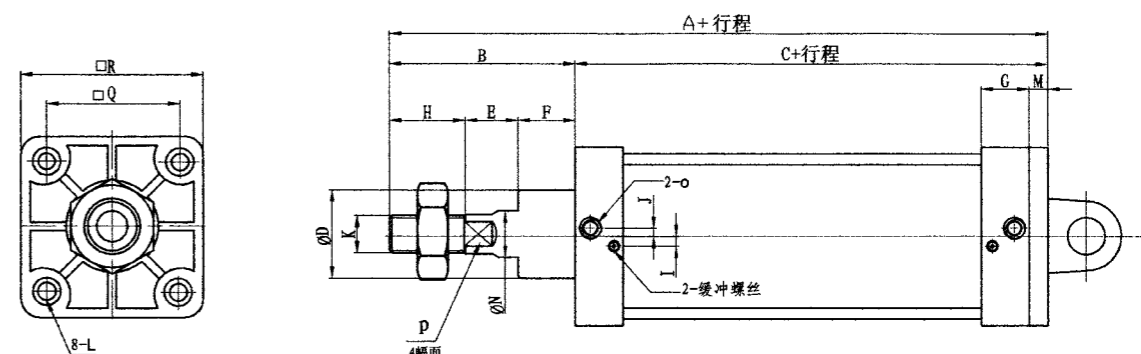
Bore (mm)	63	100	125
Action	Double action type		
Applicable medium	Air		
Pressure range	0.1~0.9MPa		
Proof pressure	1.35MPa		
Temperature range	-10~60℃		
Speed range	50~800 mm/s		
Cushion type	Adjustable cushion		
Cushion stroke(mm)	28 mm		35 mm
Prot Size	M12x1.5		

Note: no magnet switch for cylinder of 100mm bore (can make to order)

### TGF Series Door Pump Cylinder

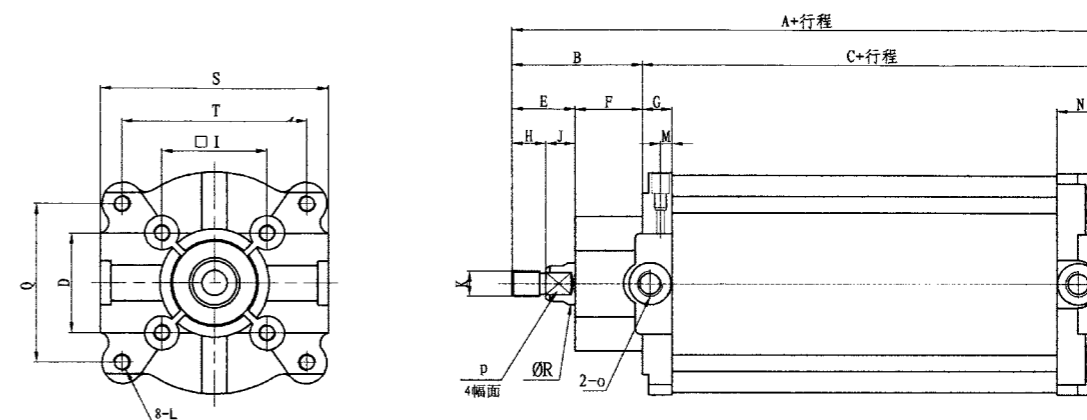
#### Figure Dimension

●  $\phi 63$



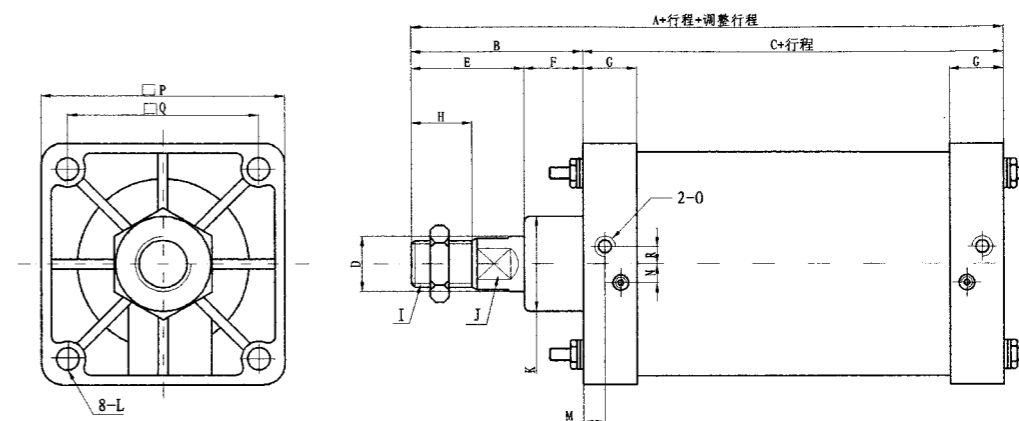
Bore (mm)	A	B	C	D	E	F	G	H	I	J	K	R	N	M	O	P	Q	L
100	216	99	117	$\phi 32$	65	34	31	35	M27	15	$\phi 55$	10	11	15	M12	140	110	$\phi 13$

●  $\phi 100$



Bore (mm)	A	B	C	D	E	F	G	H	I	J	K	L	M	N	O	P	Q	R	S	T
100	141.5	60	81.5	50	30	32	14	16	20	14	M12	M8	8	23.5	M12x1.5	12	76	20	108.5	88

●  $\phi 125$



Bore (mm)	A	B	C	D	E	F	G	H	I	J	K	L	M	N	O	P	Q	R
63	174.5	65.5	104	38	12.5	21	28	32	8.5	7	M16x1.5	M8	8	20	M16x1	17	56	75



● character

Without lubricating: Needn' t lubricating on piston rod for using oiled axletree.

Durability: With high-class stainless steel, it is more anticorrosive and durable.

Kinds of mounting: Have kinds of auxiliary components to be chosen.

With magnet: With permanent magnet on piston, it can touch the magnet switch to track cylinder' s action.



■ Specification

Bore (mm)	8	10	12	16	20	25
Medium	Air					
Action way	Double Acting Type					
Ensure operatin pressure MPa/kgf/cm2	1.5{1.53}					
Max pressure MPa/kgf/cm2	1.0{10.2}					
Min pressure MPa/kgf/cm2	0.1{1}			0.05{0.5}		
Environment and fluid emperature	-10 ~ 60°C(No Freeze)					
Piston speed	Rubber Cushion (Standard)			Air Cushion (By Yourself)		
Relax	50 ~ 750mm/s					
* Lubricate	No					
Power alloned(J)	0.02	0.03	0.04	0.09	0.27	0.4
Pipe Size	M5 x 0.8				G1/8	

\* If Lubrication, please use ISOVG32 No1

■ Stroke/Solenoid switch channel

Bore (mm)	Standard Stroke (mm)	Max .Stroke (mm)
8	10, 25, 40, 50,	400
10	80, 100	
12	10, 25, 40, 50, 80,	
16	100, 125, 160, 200	1000
20	25, 40, 50, 75, 80, 100,	
25	125, 150, 160, 175, 200, 250, 300	

According ISO6432 Standard

According : ISO6432

● character

Without lubricating: Needn' t lubricating on piston rod for using oiled axletree.

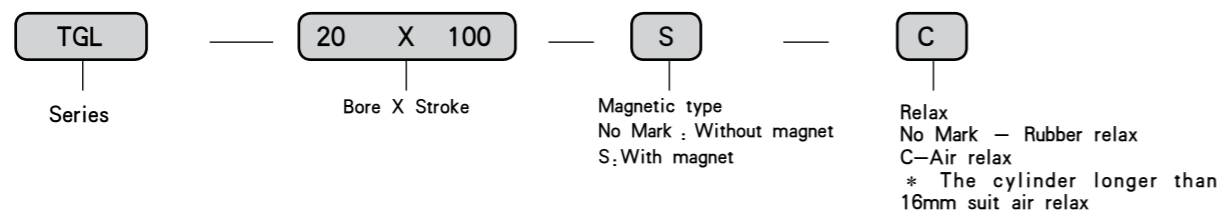
Durability: With high-class stainless steel, it is more anticorrosive and durable.

Kinds of mounting: Have kinds of auxiliary components to be chosen.

With magnet: With permanent magnet on piston, it can touch the magnet switch to track cylinder' s action.



● Ordering Code



■ Ordering example

1) Bore:20mm, Stroke:100mm, single clevis air cushion, Code: TGL-20×100-C

Spring Single-acting

According : ISO6432

● character

Without lubricating: Needn' t lubricating on piston rod for using oiled axletree.

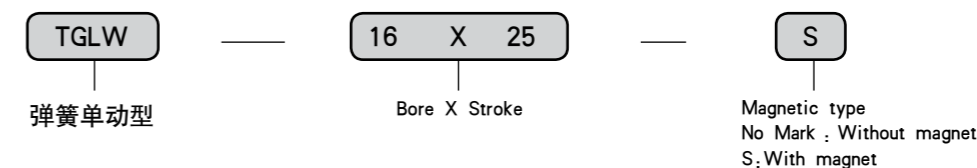
Durability: With high-class stainless steel, it is more anticorrosive and durable.

Kinds of mounting: Have kinds of auxiliary components to be chosen.

With magnet: With permanent magnet on piston, it can touch the magnet switch to track cylinder' s action.

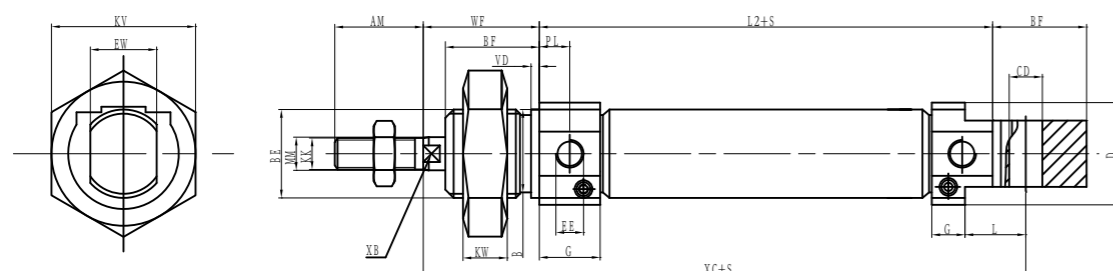


● Ordering Code



■ Ordering example

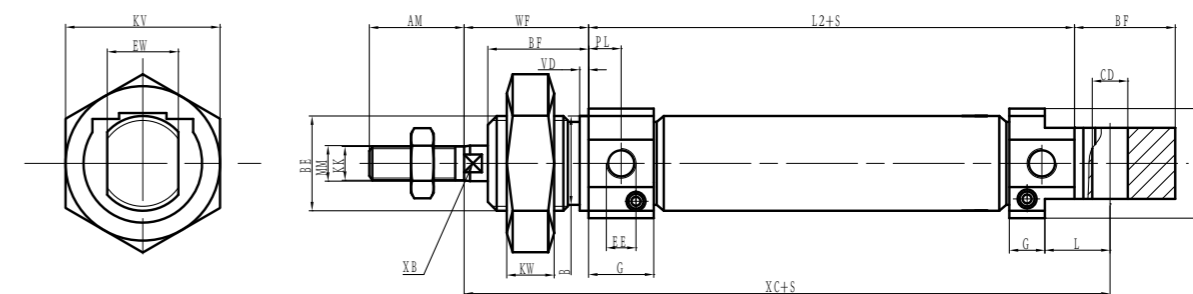
1) Bore:16mm, Stroke:25mm, 附磁环型的弹簧单动型迷你气缸, Code : TGLW-16×25-S



■ Figure Dimension(mm)

Bore/Type	AM	φ B	BE	BF	φ CD	φ D	EE	G
8	12	12	M12X1.25	12	4	15	8	11.5
10	12	12	M12X1.25	12	4	15	8	11.5
12	16	16	M16X1.5	17	6	20	12	11.5
16	16	16	M16X1.5	17	6	20	12	12.5
20	20	22	M22X1.5	20	8	27	16	15
25	22	22	M22X1.5	22	8	27	16	15

Bore/Type	KV	KW	L	φ MM	PL	VD	WF	XC	XB
8	19	6	6	4	6	2	16	64	3.5
10	19	6	6	4	6	2	16	64	3.5
12	24	8	9	6	6	2	22	75	5
16	24	8	9	6	6	2	22	82	5
20	32	11	12	8	8.2	2	24	95	7
25	32	11	12	10	8.2	2	28	104	9



■ Figure Dimension(mm)

Bore/Type	AM	φ B	BE	BF	φ CD	φ D	EE	G
8	12	12	M12X1.25	12	4	15	8	11.5
10	12	12	M12X1.25	12	4	15	8	11.5
12	16	16	M16X1.5	17	6	20	12	11.5
16	16	16	M16X1.5	17	6	20	12	12.5
20	20	22	M22X1.5	20	8	27	16	15
25	22	22	M22X1.5	22	8	27	16	15

Bore/Type	KV	KW	L	φ MM	PL	VD	WF	XC	XB
8	19	6	6	4	6	2	16	64	3.5
10	19	6	6	4	6	2	16	64	3.5
12	24	8	9	6	6	2	22	75	5
16	24	8	9	6	6	2	22	82	5
20	32	11	12	8	8.2	2	24	95	7
25	32	11	12	10	8.2	2	28	104	9

### Double axis double acting type

According : ISO6432



#### ● character

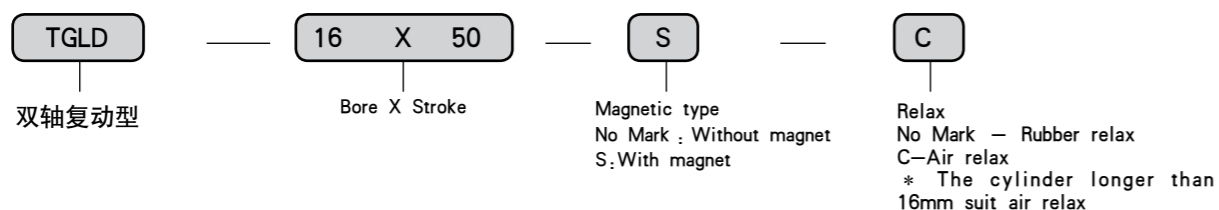
Without lubricating: Needn' t lubricating on piston rod for using oiled axletree.

Durability: With high-class stainless steel, it is more anticorrosive and durable.

Kinds of mounting: Have kinds of auxiliary components to be chosen.

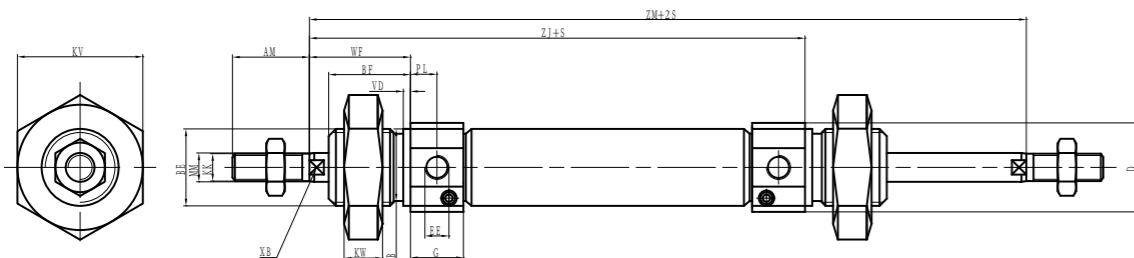
With magnet: With permanent magnet on piston, it can touch the magnet switch to track cylinder' s action.

#### ● Ordering Code



#### ■ Ordering example

1) Bore:16mm, Stroke:50mm, 带气缓冲的内置磁环型迷你气缸, Code : TGLD-16×50-C



#### ■ Figure Dimension(mm)

Bore /Type	AM	φ B	BE	BF	KW	φ D	EE	KV
8	12	12	M12X1.25	12	6	15	M5	19
10	12	12	M12X1.25	12	6	15	M5	19
12	16	16	M16X1.5	17	8	20	M5	24
16	16	16	M16X1.5	17	8	20	M5	24
20	20	22	M22X1.5	20	11	27	G1/8	32
25	22	22	M22X1.5	22	11	27	G1/8	32

Bore /Type	G	KK	φ MM	PL	VD	WF	ZJ	ZM	XB
8	11.5	M4	4	6	2	16	62	78.4	3.5
10	11.5	M4	4	6	2	16	62	78.4	3.5
12	11.5	M6	6	6	2	22	72	94	5
16	12.5	M6	6	6	2	22	78	100	5
20	15	M8	8	8.2	2	24	92	116	7
25	15	M10X1.25	10	8.2	2	28	97.5	125.5	9

### Acting adjustable double acting type

According : ISO6432



#### ● character

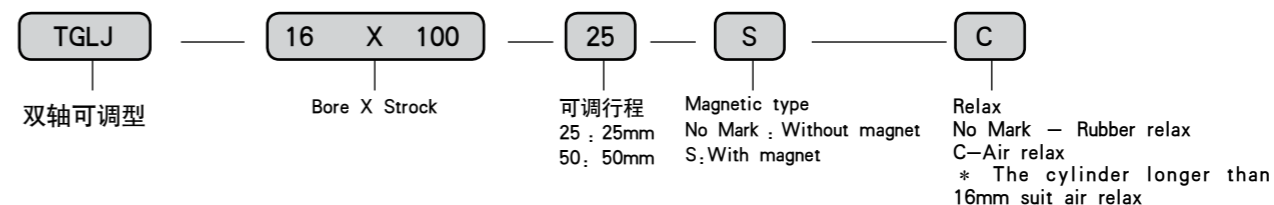
Without lubricating: Needn' t lubricating on piston rod for using oiled axletree.

Durability: With high-class stainless steel, it is more anticorrosive and durable.

Kinds of mounting: Have kinds of auxiliary components to be chosen.

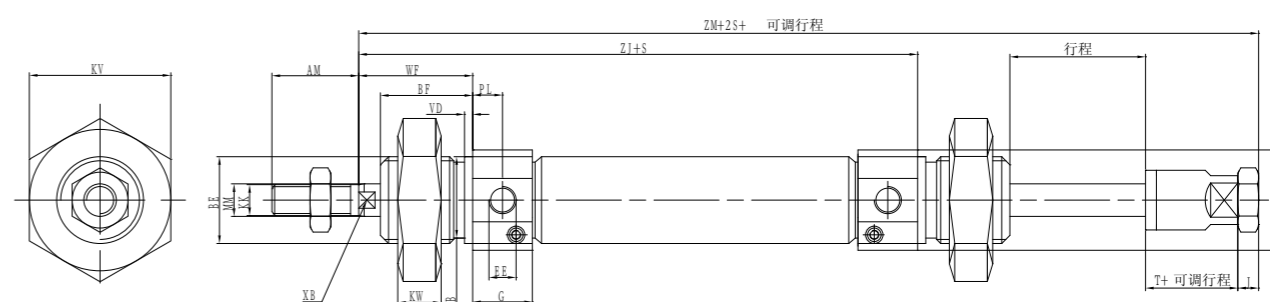
With magnet: With permanent magnet on piston, it can touch the magnet switch to track cylinder' s action.

#### ● Ordering Code



#### ■ Ordering example

1) Bore:16mm, Stroke:100mm, 可调行程为 25mm, 附磁环的双轴可调型迷你气缸, Code:TGLJ-16×100-25-S



#### ■ Figure Dimension(mm)

Bore/ Stroke	AM	φ B	BE	BF	KW	φ D	EE	KV	G
16	16	16	M16X1.5	17	8	20	M5	24	12.5
20	20	22	M22X1.5	20	11	27	G1/8	32	15
25	22	22	M22X1.5	22	11	27	G1/8	32	15

Bore/ Stroke	KK	φ MM	PL	VD	WF	ZJ	ZM	XB	T	J
16	M6	6	6	2	22	78	121	5	16	5
20	M8	8	8.2	2	24	92	141	7	19	6
25	M10X1.25	10	8.2	2	28	97.5	152.5	9	21	6



Aluminum Barrel Slim Cylinder



- Calculation of theoretical force of cylinder

$$F = P \times A - F_0$$

F: Theoretical force

P: Pressure

A: Piston area

F<sub>0</sub>: Regain power of spring

- Aluminum barrel slim cylinder

It is made in aluminum barrel, light and small. The cylinder wall is treated with hard anodic oxidation. It uses new seal material and can automatically compensate the abrasion surface of seal, with good resistance to abrasion and long service life. There are different installing accessories to choose.

III

■ Theoretical force sheet

Cylinder inside diameter	20			25			32			40				
	External diameter of piston rod			8			10			12			16	
Action Type	Single action	Double action		Single action	Double action		Single action	Double action		Single action	Double action			
		Push	Pluk		Push	Pluk		Push	Pluk		Push	Pluk		
Compression area cm <sup>2</sup>	3.14	3.14	2.64	4.90	4.90	4.12	8.04	8.04	6.90	12.56	12.56	10.55		
Air pressure Kgf/cm <sup>2</sup>	1	—	03.14	02.64	—	04.90	04.12	—	08.04	06.90	03.75	12.56	10.55	
	2	01.26	06.28	05.28	21.10	09.80	32.98	07.66	16.08	13.80	16.31	25.12	21.10	
	3	04.40	09.42	07.92	31.65	14.70	12.36	15.70	24.12	20.70	28.87	37.68	31.65	
	4	07.54	12.56	10.56	42.20	19.60	16.48	23.74	32.16	27.60	4.143	50.24	42.20	
	5	10.68	15.70	13.20	52.75	24.50	20.60	31.78	40.20	34.50	53.99	62.80	52.75	
	6	13.82	18.84	15.84	63.30	29.40	24.72	39.82	48.24	41.40	66.55	75.36	63.30	
	7	16.96	21.98	18.48	73.85	34.30	28.84	47.86	56.28	48.30	79.11	87.92	73.85	
	8	21.10	25.12	21.12	84.40	39.20	32.96	55.90	64.32	55.20	91.67	100.48	84.40	
	9	23.24	28.26	23.76	94.95	44.10	37.08	63.94	72.36	62.10	104.23	113.04	94.95	

### Aluminum Barrel Slim Cylinder

#### ● Aluminum barrel slim cylinder

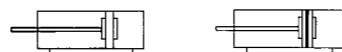
Without lubricating: Needn't lubricating on piston rod for using oiled axletree.

Durability: With oxidative steel tube, cover deal with electrophoresis, it is not only anticorrosive, durable and wear-resistant, but also has compact shape.

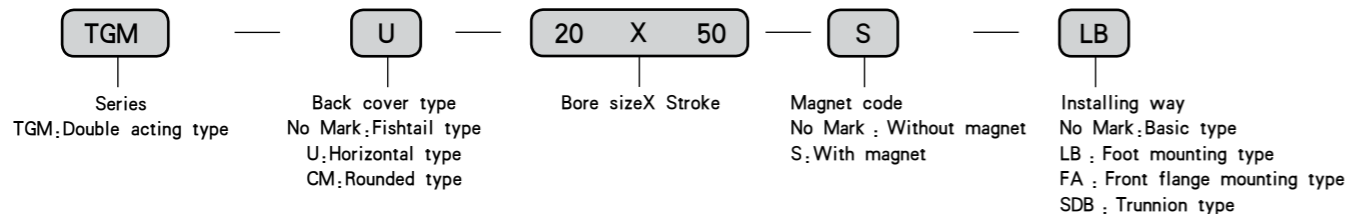
Kinds of mounting: Have kinds of installing accessories to choose.



#### ■ Graphics Sign



#### ● Ordering Code



#### ■ Example

- 1) Bore: 20mm, Stroke: 50mm, Fishtail type back cover installation, SDB pattern, Code: TGM-CA-20×50-SDB
- 2) Bore: 32mm, Stroke: 100mm, Horizontal back cover and is aluminium slim cylinder, Code: TGM-U-32×100

#### ■ Standard Specification

Bore (mm)	20	25	32	40
Action	Double action type			
Applicable medium	Air			
Pressure range	0.1~0.9MPa			
Proof pressure	1.35MPa			
Temperature range	-10~60°C			
Speed range	30~800 mm/s			
Prot Size	G1/8		G1/4	

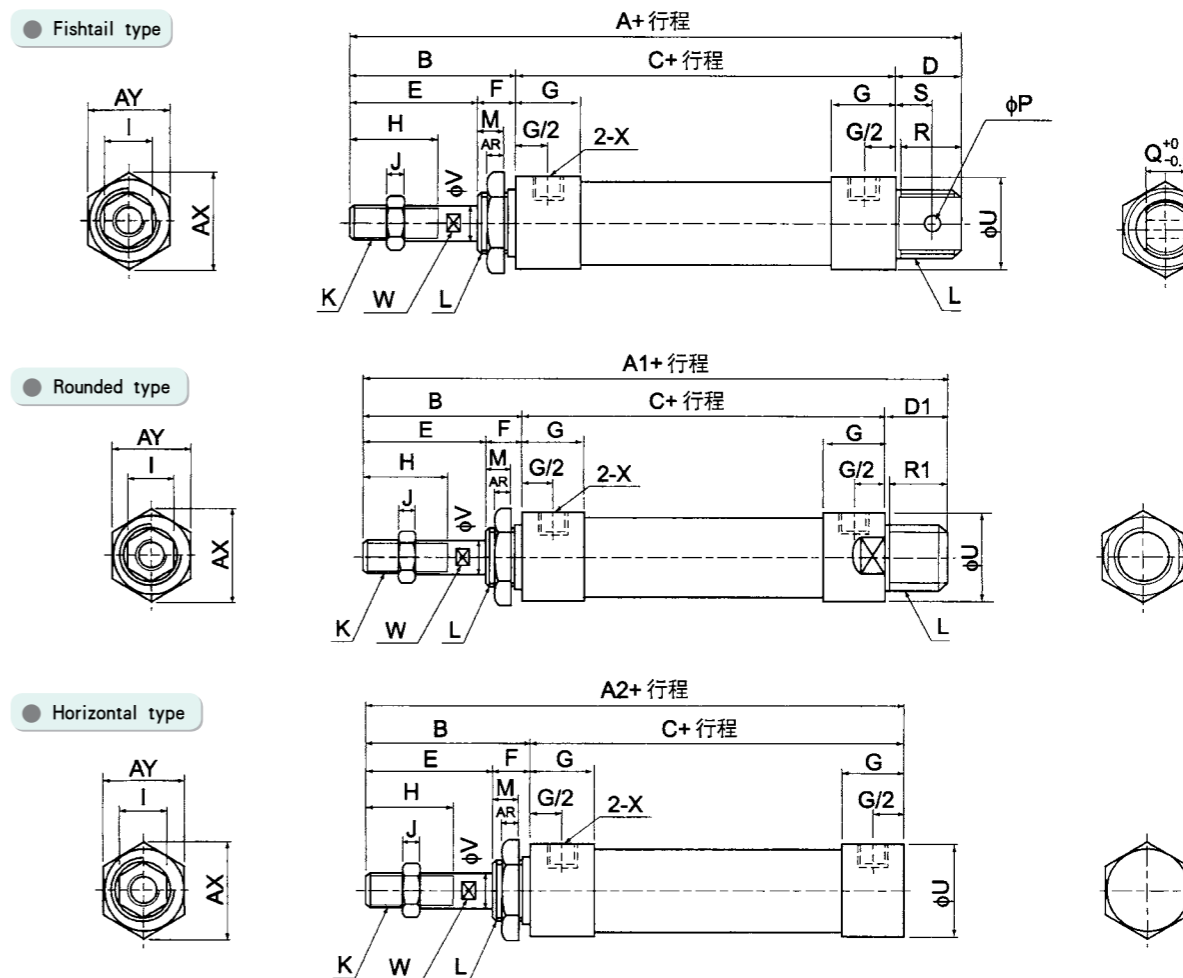
### Aluminum Barrel Slim Cylinder

#### ■ Stroke

Bore (mm)	Standard Stroke																Max. Stroke	Permissible Stroke
20	25	50	75	80	100	125	150	160	175	200	250	300	500	800				
25	25	50	75	80	100	125	150	160	175	200	250	300	350	400	450	500	800	1200
32	25	50	75	80	100	125	150	160	175	200	250	300	350	400	450	500	800	1200
40	25	50	75	80	100	125	150	160	175	200	250	300	350	400	450	500	1200	1500

\* Special stroke please contact with us

#### ■ Figure Dimension ● $\phi 20 \sim \phi 40$



Bore (mm)	A	A1	A2	B	C	D	D1	E	F	G	H	I	J	K
20	131	122	110	40	70	21	12	28	12	16	20	12	6	M8x1.25
25	135	128	114	44	70	21	14	30	14	16	22	17	6	M10x1.25
32	141	128	114	44	70	27	14	30	14	16	22	17	6	M10x1.25
40	165	152	138	46	92	27	14	32	14	22	24	17	7	M12x1.25

Bore (mm)	L	M	P	Q	R	R1	S	U	V	W	X	AR	AX	AY
20	M22x1.5	10	8	16	19	10	12	29	8	6	G1/8	7	33	29
25	M22x1.5	12	8	16	19	12	12	34	10	8	G1/8	7	33	29
32	M24x2.0	12	10	16	25	12	15	39.5	12	10	G1/8	8	37	32
40	M30x2.0	12	12	20	25	12	15	49.5	16	14	G1/4	9	47	41

### Aluminium Compact Cylinder Double Axis Type



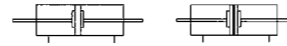
#### ● Product characteristic

Without lubricating: Needn't lubricating on piston rod for using oiled axletree.

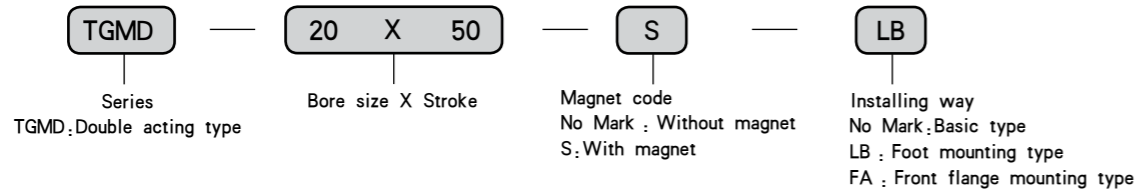
Durability: With oxidative steel tube, cover deal with electrophoresis, it is not only anticorrosive, durable and wear-resistant, but also has compact shape.

Kinds of mounting: Have kinds of installing accessories to choose.

#### ■ Graphics Sign



#### ● Ordering Code



#### ■ Example

1) Bore: 20mm, stroke: 50mm, LB installation, Code: TGMD20 X 50-LB

#### ■ Standard Specification

Bore (mm)	20	25	32	40
Action	Double action type			
Applicable medium	Air			
Pressure range	0.1~0.9MPa			
Proof pressure	1.35MPa			
Temperature range	-10~60°C			
Speed range	50~800 mm/s			
Prot Size	G1/8		G1/4	

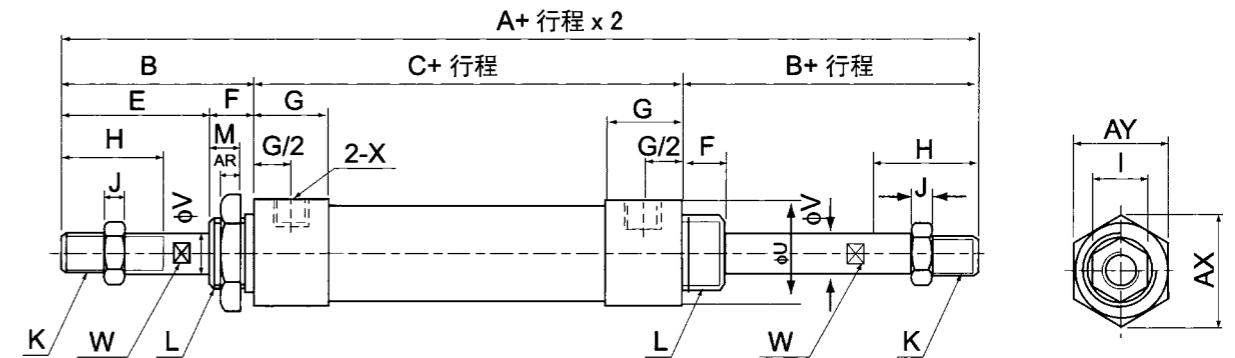
### Aluminium Compact Cylinder Double Axis Type

#### ■ Stroke

Bore (mm)	Standard Stroke										Max. Stroke	Permissible. Stroke	
20	25	50	75	80	100	125	150	160	175	200	200	300	
25	25	50	75	80	100	125	150	160	175	200	250	250	300
32	25	50	75	80	100	125	150	160	175	200	250	250	300
40	25	50	75	80	100	125	150	160	175	200	250	250	300

#### ■ Figure Dimension

●  $\phi 20 \sim \phi 40$



Bore (mm)	A	B	C	E	F	G	H	I	J	K	L	M	U	V	W	X	AR	AX	AY
20	150	40	70	28	12	16	20	12	6	M8x1.25	M22x1.5	10	29	8	6	G1/8	7	33	29
25	158	44	70	30	14	16	22	17	6	M10x1.25	M22x1.5	12	34	10	8	G1/8	7	33	29
32	158	44	70	30	14	16	22	17	6	M10x1.25	M24x2.0	12	39.5	12	10	G1/8	8	37	32
40	184	46	92	32	14	22	24	17	7	M12x1.25	M30x2.0	12	49.5	16	14	G1/4	9	47	41

### Aluminium Mini Cylinder Double Axis Adjustable Type



#### ● Product characteristic

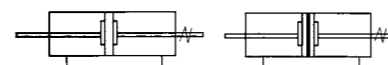
Without lubricating: Needn't lubricating on piston rod for using oiled axletree.

Durability: With oxidative steel tube, cover deal with electrophoresis, it is not only anticorrosive, durable and wear-resistant, but also has compact shape.

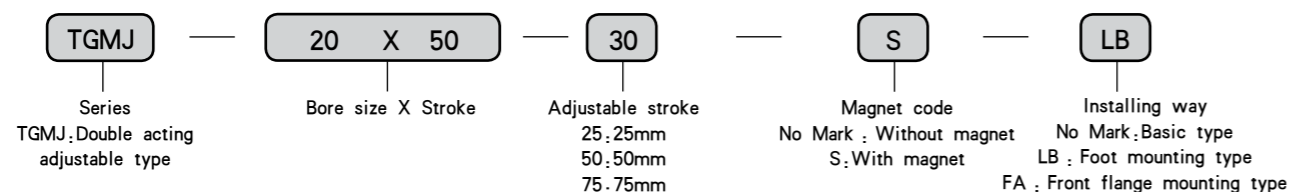
Kinds of mounting: Have kinds of accessories to choose.

Adjustable stroke: Attached with adjustable nut, the operator can adjust the stroke within its stroke range.

#### ■ Graphics Sign



#### ● Ordering Code



#### ■ Example

1) Bore:20mm, stroke:50mm, adjustable stroke:25, LB installation, Code : TGMJ20×50-LB

#### ■ Standard Specification

Bore (mm)	20	25	32	40
Action	Double action type			
Applicable medium	Air			
Pressure range	0.1~0.9 MPa			
Proof pressure	1.35 MPa			
Temperature range	-10~60°C			
Speed range	50~800 mm/s			
Prot Size	G1/8		G1/4	

### Aluminium Mini Cylinder Double Axis Adjustable Type

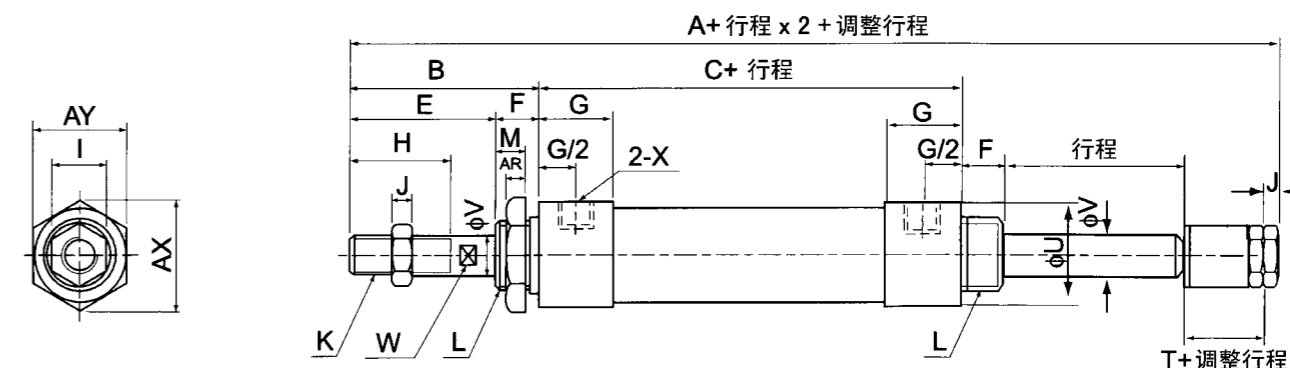
#### ■ Stroke

Bore (mm)	Standard Stroke											Max. Stroke	Permissible. Stroke
20	25	50	75	80	100	125	150	160	175	200		200	300
25	25	50	75	80	100	125	150	160	175	200	250	250	300
32	25	50	75	80	100	125	150	160	175	200	250	250	300
40	25	50	75	80	100	125	150	160	175	200	250	250	300

\* Special stroke please contact with us

#### ■ Figure Dimension

●  $\phi 20 \sim \phi 40$



Bore (mm)	A	B	C	E	F	G	H	I	J	K	L	M	T	U	V	W	X	AR	AX	AY
20	147	40	70	28	12	16	20	12	6	M8x1.25	M22x1.5	10	19	29	8	6	G1/8	7	33	29
25	155	44	70	30	14	16	22	17	6	M10x1.25	M22x1.5	12	21	34	10	8	G1/8	7	33	29
32	155	44	70	30	14	16	22	17	6	M10x1.25	M24x2.0	12	21	39.5	12	10	G1/8	8	37	32
40	180	46	92	32	14	22	24	17	7	M12x1.25	M30x2.0	12	21	49.5	16	14	G1/4	9	47	41



### TGSM Series

#### Product characteristic

Without lubricating: Needn't lubricating on piston rod for using oiled axletree.

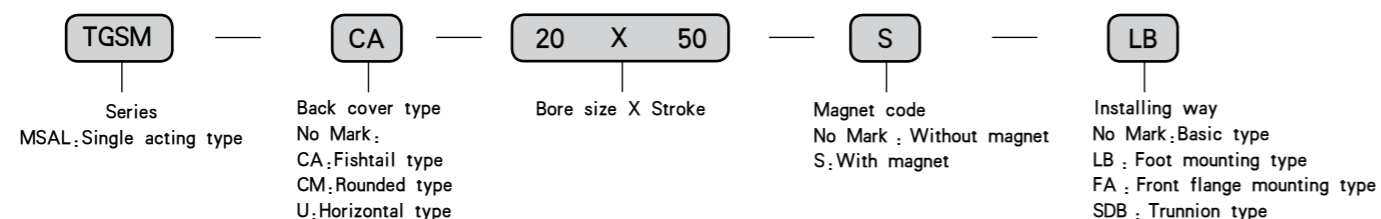
Durability: With oxidative steel tube, cover deal with electrophoresis, it is not only anticorrosive, durable and wear-resistant, but also has compact shape.

Kinds of mounting: Have kinds of installing accessories to choose.

#### Graphics Sign



#### Ordering Code



#### Example

- Bore: 20mm, stroke: 50mm, Back cover type Fishtail type, with runnion SDB, Code : TGSM-CA-20×50-SDB
- Bore: 32mm, stroke: 100mm, Back cover type is Horizontal type, Code : TGSM-U-32×100

#### Stroke

Bore (mm)	Standard Stroke				Max. Stroke
	25	50	75	100	
20	25	50	75	100	100
25	25	50	75	100	100
32	25	50	75	100	100
40	25	50	75	100	100

#### Standard Specification

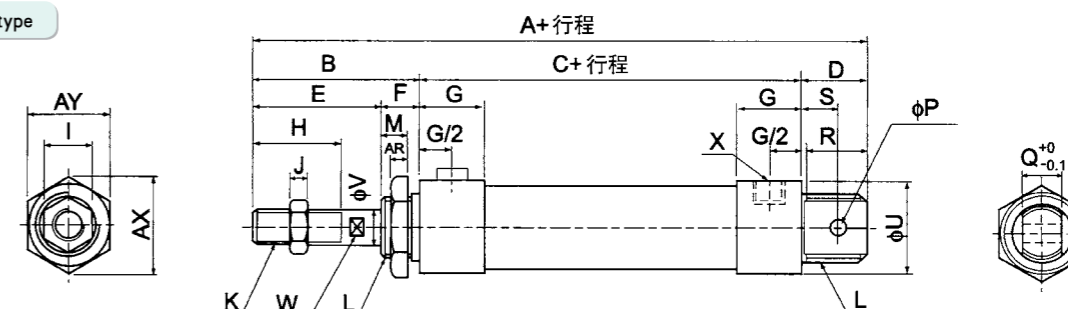
Bore (mm)	20	25	32	40
Action	Double action type			
Applicable medium	Air			
Pressure range	0.2~0.9 MPa			
Proof pressure	1.35 MPa			
Temperature range	-10~60°C			
Speed range	50~800 mm/s			
Prot Size	G1/8 Adjustable cushion		G1/4	

### TGSM Series

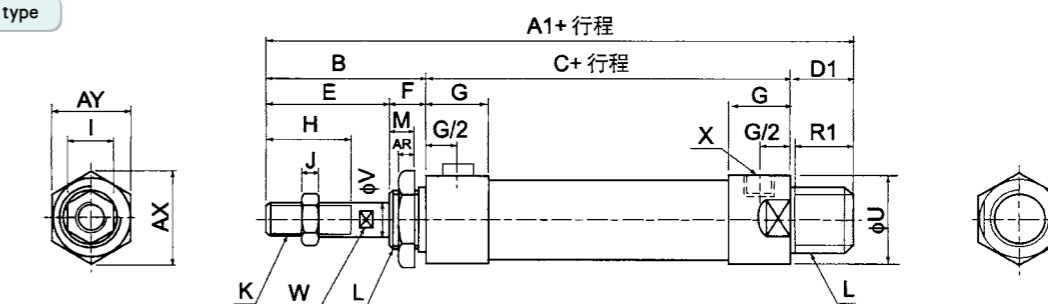
#### Figure Dimension

●  $\phi 20 \sim \phi 40$

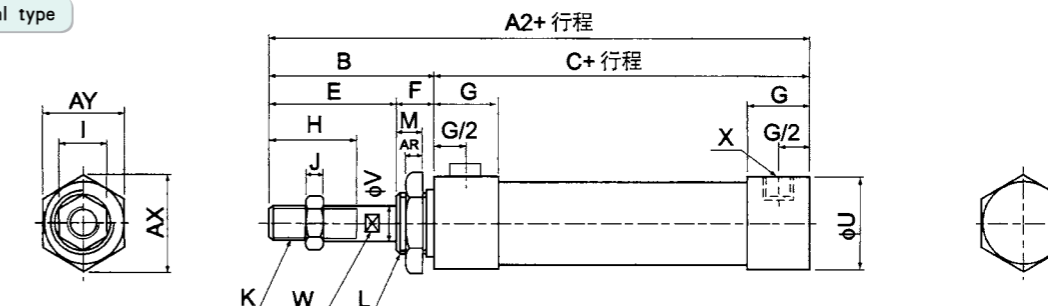
##### Fishtail type



##### Rounded type



##### Horizontal type



Type	A		A1		A2		B	C		D	D1	E	F	G	H	I	J
	0-50	51-100	0-50	51-100	0-50	51-100		0-50	51-100								
20	131	156	122	147	110	135	40	70	95	21	12	28	12	16	20	12	6
25	135	160	128	153	114	139	44	70	95	21	14	30	14	16	22	17	6
32	141	166	128	153	114	139	44	70	95	27	14	30	14	16	22	17	6
40	165	190	152	177	138	163	46	92	117	27	14	32	14	22	24	17	7

Bore (mm)	K	L	M	P	Q	R	R1	S	U	V	W	X	AR	AX	AY
20	M8x1.25	M22x1.5	10	8	16	19	10	12	29	8	6	G1/8	7	33	29
25	M10x1.25	M22x1.5	12	8	16	19	12	12	34	10	8	G1/8	7	33	29
32	M10x1.25	M24x2.0	12	10	16	25	12	15	39.5	12	10	G1/8	8	37	32
40	M12x1.25	M30x2.0	12	12	20	25	12	15	49.5	16	14	G1/4	9	47	41

### Needle type cylinder (Single Act)

( $\phi 6 - \phi 15$ )

#### Standard Specification

Bore (mm)	6	10	15
Fluid	Air		
Acting	Single act—Spring Draw		
Proof pressure	10.5MPa[1.05kgf/cm <sup>2</sup> ]		
Max. pressure	7MPa[0.7kgf/cm <sup>2</sup> ]		
Min. pressure	2MPa[0.2kgf/cm <sup>2</sup> ]	1.5MPa[0.15kgf/cm <sup>2</sup> ]	
Environment and fluid temperature	5—60°C		
Cushion	No		
Stroke tolerance	+1.0, 0		
* Lubrication	No need		
Prot Size	M5×0.8(Panel mounting)		

\* Lubricate please use ISOVG32

#### Order example

- 1) Panel mounting, No thread, Bore: 6, Stroke: 10,  
Code: CJPB6—10—B
- 2) Built-in type, thread, Bore: 10, Stroke: 15,  
Code: CJPS10—15

#### Stroke/Spring Force

Bore (mm)	Stroke (mm)	Retractable position	Extended position
6	5, 10, 15	150	400
10	5, 10, 15	250	610
16	5, 10, 15	450	1100



#### Ordering Code

Panel Mounting: CJPB 10 15

Built-in Type: CJPS 6 5 B

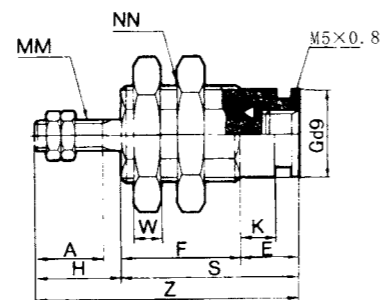
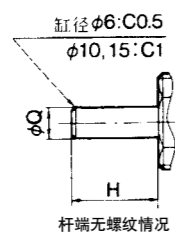
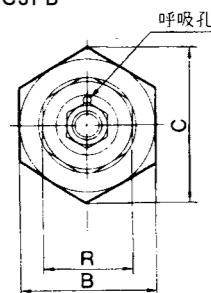
Bore  
6— $\phi 6$ mm  
10— $\phi 10$ mm  
15— $\phi 15$ mm

Stroke  
No: Thread  
B: No thread

Rod end thread  
No: Thread  
B: No thread

#### Figure Dimension (mm)

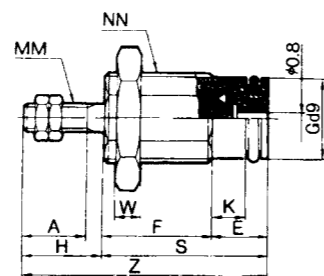
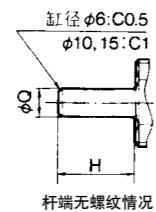
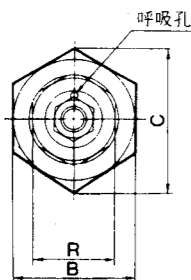
##### Panel mounting CJPB



st: Bore Stroke (mm)

Bore (mm)	A	B	C	E	S			$\phi G$	H	K	MM	NN	R	S			Z			Q	
					5st	10st	15st							5st	10st	15st	W	5st	10st		15st
6	7	12	13.9	6	12.5	19.5	26.5	8.5	9	3.5	M3×0.5	M10×1.0	9	18.5	22.5	32.5	3	27.5	34.5	41.5	3
10	10	19	22	6	14.5	21	28	12	12	3.5	M4×0.7	M15×1.5	13	20.5	27	34	3	32.5	39	46	5
15	12	27	31	7	16.5	22.5	29	19	14	4.2	M5×0.8	M22×1.5	20	23.5	29.5	36	4	37.5	43.5	50	6

##### Panel mounting CJPS



st: Bore Stroke (mm)

Bore (mm)	A	B	C	E	S			$\phi G$	H	K	MM	NN	R	S			Z			Q	
					5st	10st	15st							5st	10st	15st	W	5st	10st		15st
6	7	12	13.9	6	12.5	19.5	26.5	8.5	9	3.5	M3×0.5	M10×1.0	9	18.5	22.5	32.5	3	27.5	34.5	41.5	3
10	10	19	22	6	14.5	21	28	12	12	3.5	M4×0.7	M15×1.5	13	20.5	27	34	3	32.5	39	46	5
15	12	27	31	7	16.5	22.5	29	19	14	4.2	M5×0.8	M22×1.5	20	23.5	29.5	36	4	37.5	43.5	50	6

### Multi-cylinder assembly

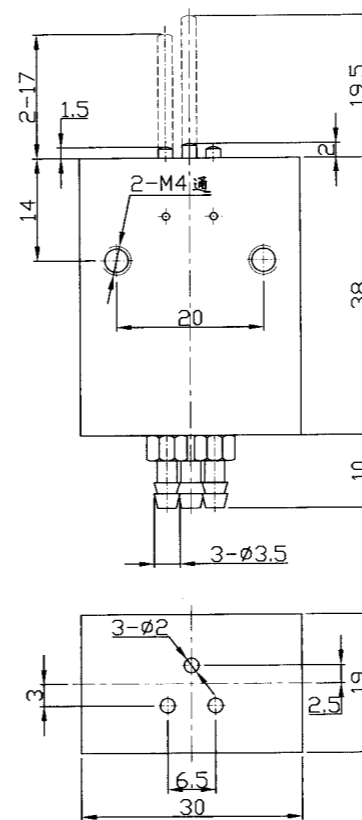
#### THZ4—3

##### Character

The cylinder dedicated to the textile industry, combined with my company supporting the use of solenoid valves.



##### Dimensions



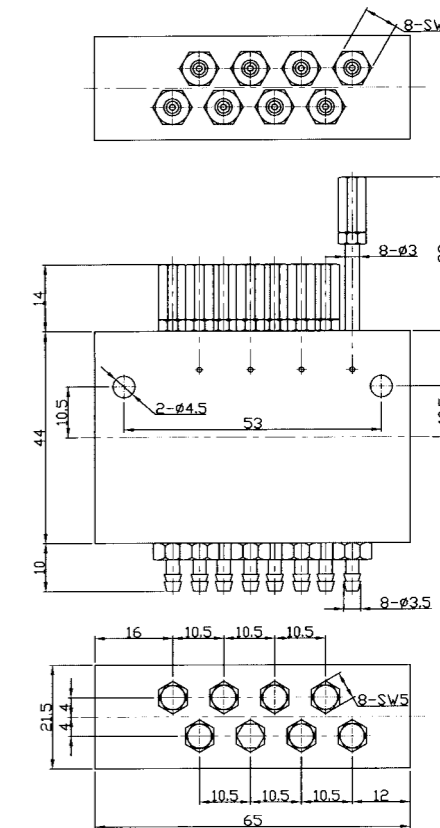
#### THZ6X18—8

##### Character

The cylinder dedicated to the textile industry, combined with my company supporting the use of solenoid valves.



##### Dimensions



● Character

It is in compact cylinder type, with small axial size. less space, light structure and handsome shape. All kinds of fixture and special machinery can be compactly designed with it. It can bear large transverse load and can be installed directly without accessories.

■ Theoretical Force Sheet

Cylinder inside diameter	External diameter of piston rod	Action Type	Compression area cm <sup>2</sup>	Air pressure Kgf/cm <sup>2</sup>							
				1.0	2.0	3.0	4.0	5.0	6.0	7.0	
12	6	Extrusion Single action	1.13	—	0.70	1.83	2.96	4.09	5.22	6.35	
		Single action drawing-in	0.85	—	0.14	0.99	1.84	2.69	3.54	4.39	
		Double action	Push	1.13	—	2.26	3.39	4.52	5.65	6.78	7.91
			Pluk	0.85	—	1.70	2.55	3.40	4.25	5.10	5.95
16	6	Extrusion Single action	2.01	—	1.36	3.37	5.38	7.39	9.40	11.41	
		Single action drawing-in	1.73	—	0.80	2.53	4.26	5.99	7.72	9.45	
		Double action	Push	2.01	—	4.02	6.03	8.04	10.05	12.06	14.07
			Pluk	1.73	—	3.46	5.19	6.92	8.65	10.38	12.11
20	8	Extrusion Single action	3.14	—	2.87	6.01	9.15	12.29	15.43	18.57	
		Single action drawing-in	2.64	—	1.87	4.51	7.15	9.79	12.43	15.07	
		Double action	Push	3.14	—	6.28	9.42	12.56	15.70	18.84	21.98
			Pluk	2.64	—	5.28	7.92	10.56	13.20	15.84	18.48
25	10	Extrusion Single action	4.90	—	5.80	10.70	15.60	20.50	25.40	30.30	
		Single action drawing-in	4.12	—	4.24	8.36	12.48	16.60	20.72	24.84	
		Double action	Push	4.90	—	9.80	14.70	19.60	24.50	29.40	34.30
			Pluk	4.12	—	8.24	12.36	16.48	20.60	24.72	28.84
32	12	Extrusion Single action	8.04	—	11.21	19.25	27.29	35.33	43.37	51.41	
		Single action drawing-in	6.90	—	8.93	15.83	22.73	29.63	36.53	43.43	
		Double action	Push	8.04	—	16.08	24.12	32.16	40.20	48.24	56.28
			Pluk	6.90	—	13.80	20.70	27.60	34.50	41.40	48.30
40	16	Extrusion Single action	12.56	—	20.08	32.64	45.20	57.76	70.32	82.88	
		Single action drawing-in	10.55	—	16.06	26.61	37.16	47.71	58.26	68.81	
		Double action	Push	12.56	12.56	25.12	37.68	50.24	62.80	75.36	87.92
			Pluk	10.55	10.55	21.10	31.65	42.20	52.75	63.30	73.85
50	20	Double action	Push	19.63	19.63	39.26	58.89	78.52	98.15	117.78	137.41
		Pluk	16.49	16.49	32.98	49.47	65.96	82.45	98.94	115.43	
63	20	Double action	Push	31.17	31.17	62.34	93.51	124.68	155.85	187.02	218.19
		Pluk	28.03	28.03	56.06	84.09	112.12	140.15	168.18	196.21	
80	25	Double action	Push	50.26	50.26	100.52	150.78	201.04	251.30	301.56	351.82
		Pluk	45.36	45.36	90.72	136.08	181.44	226.80	272.16	317.52	
100	32	Double action	Push	78.53	78.53	157.06	235.59	314.12	392.65	471.18	549.71
		Pluk	70.49	70.49	140.98	211.47	281.96	352.45	422.94	493.43	



● Calculation of cylinder' s theoretic force

$$F = P \times A - F_0$$

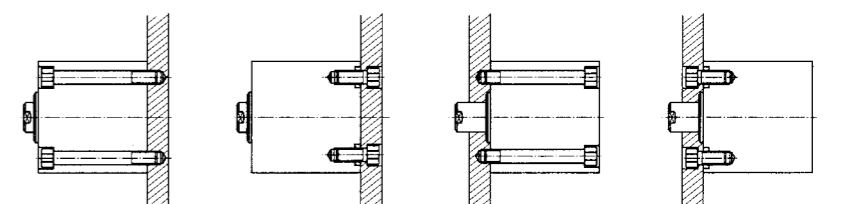
F: Theoretical force

P: Pressure

A: Piston area

F<sub>0</sub>: Regain power of spring

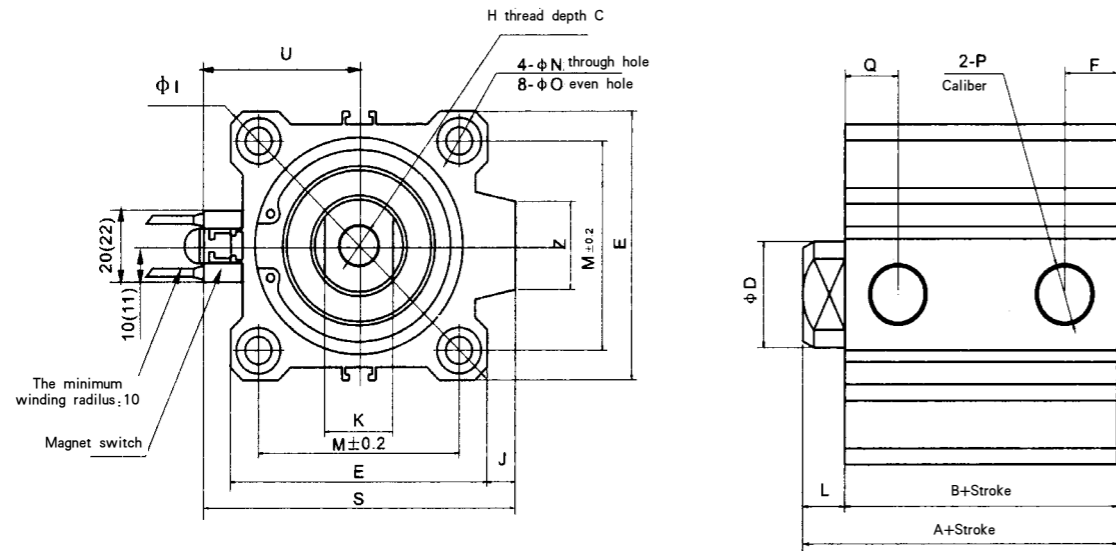
● Mounting Type





### Compact Cylinder

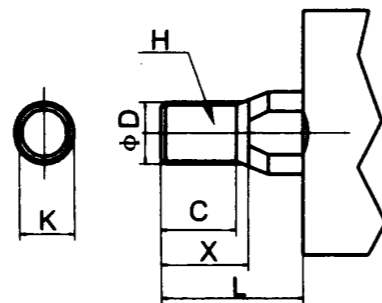
φ 12 - φ 200



Bore	1) Stroke (mm)	A	B	φD	E	F	H	C	φI	J	K	L	M	φN	φO	P	Q	S	U	V	Z
CDQ2B12	5-30	31.5	28	6	25	5	M3×0.5	6	32	-	5	3.5	15.5	3.5	6.5 深 3.5	M5×0.8	11	35.5	19.5	25	-
CDQ2B16	5-30	34	30.5	6	29	5.5	M4×0.7	8	38	-	5	3.5	20	3.5	6.5 深 3.5	M5×0.8	10	41.5	22.5	29	-
CDQ2B20	5-50	36	31.5	8	36	5.5	M5×0.8	7	47	-	6	4.5	25.5	5.5	9 深 7	M5×0.8	10.5	48	24.5	36	-
CDQ2B25	5-50	37.5	32.5	10	40	5.5	M6×1.0	12	52	-	8	5	28	5.5	9 深 7	M5×0.8	11	53.5	27.5	40	-
CDQ2B32	5-50	40	33	12	45		M8×1.25	13	60	4.5	10	7	34	5.5	9 深 7	1/8	10.5	58.5	31.5	-	18
CDQ2B40	5-50	46.5	39.5	16	52	8	M8×1.25	13	69	5	14	7	40	5.5	9 深 7	1/8	11	66	35	-	18
CDQ2B50	10-50	48.5	40.5	20	64	10.5	M10×1.5	15	86	7	17	8	50	6.6	11 深 8	1/4	10.5	80	41	-	22
CDQ2B63	10-50	54	46	20	77	10.5	M10×1.5	15	103	7	17	8	60	9	14 深 10.5	1/4	15	93	47.5	-	22
CDQ2B80	10-50	63.5	53.5	25	98	12.5	M16×2.0	21	132	6	22	10	77	11	17.5 深 13.5	3/8	16	112.5	57.5	-	26
CDQ2B100	10-50	75	63	32	117	13	M20×2.5	27	156	6.5	27	12	94	11	17.5 深 13.5	3/8	23	132.5	67.5	-	26

#### Rod end male thread

Bore (mm)	C	X	φD	H	L	K
12	9	10.5	6	M5×0.8	14	5
16	10	12	6	M5×0.8	15.5	5
20	12	14	8	M6×1	18.5	6
25	15	17.5	10	M8×1.25	22.5	8
32	20.5	23.5	12	M10×1.25	28.5	10
40	20.5	23.5	16	M14×1.5	28.5	14
50	26	28.5	20	M18×1.5	33.5	17
63	26	28.5	20	M18×1.5	33.5	17
80	32.5	35.5	25	M22×1.5	43.5	22
100	32.5	35.5	32	M26×1.5	43.5	27



### CQ2WB Series

φ 12 - φ 100



#### Standard Specification

Bore (mm)	12	16	20	25	32	40	50	63	80	100
Applicable medium	Air									
Action	Double acting, Single acting; Spring Draw/Spring Extrude									
Proof pressure	1.5MPa[15.3kgf/cm <sup>2</sup> ]									
Highest pressure	1.0MPa[10.2kgf/cm <sup>2</sup> ]									
Environment and fluid temperature	5 - 60 °C									
Rod end thread	Female thread (Standard), Male thread(Choose by nomself)									
Cushion	No									
Stroke tolerance	+1.0, 0									
*Lubrication	No need									
Mounting	Through hole(Standard), Both ends female hread(Choose by nomself)									
Pipe Size	M5×0.8		1/8		1/4		3/8			

\* If lubricating please use ISO VG032

#### Chosen Type

CQ2WB  Bore  Stroke  D

#### Stroke/Magnetic Switch

Bore (mm)	Standard Stroke	
	Double Acting	Single Action
12	5, 10, 15,	5, 10
16	20, 25, 30	5, 10
20	5, 10, 15, 20, 25,	5, 10
25	30, 35, 40, 45, 50	5, 10
32	5, 10, 15, 20, 25,	5, 10
40	30, 35, 40, 45, 50,	5, 10
50	75, 100	5, 10
63	10, 15, 20,	Can't suit
80	25, 30, 35,	
80	40, 45, 50,	
100	75, 100	

Note 1) Sensor switch specification the same with sensor switch serve

### CQ2B-XC



#### Chosen Type

CQ2B  Bore  Stroke  D  XC

#### Standard Specification

Bore (mm)	12	16	20	25	32	40	50	63	80	100
Applicable medium	Air									
Action	Double acting, Single acting; Spring Draw/Spring Extrude									
Proof pressure	1.5MPa[15.3kgf/cm <sup>2</sup> ]									
Highest pressure	1.0MPa[10.2kgf/cm <sup>2</sup> ]									
Environment and fluid temperature	5 - 60 °C									
Rod end thread	Female thread (Standard), Male thread(Choose by nomself)									
Cushion	No									
Stroke tolerance	+1.0, 0									
*Lubrication	No need									
Mounting	Through hole(Standard), Both ends female hread(Choose by nomself)									
Pipe Size	M5×0.8		1/8		1/4		3/8			

\* If lubricating please use ISO VG032

#### Stroke/Magnetic Switch

Bore (mm)	Standard Stroke	
	Double Acting	Single Action
12	5, 10, 15,	5, 10
16	20, 25, 30	5, 10
20	5, 10, 15, 20, 25,	5, 10
25	30, 35, 40, 45, 50	5, 10
32	5, 10, 15, 20, 25,	5, 10
40	30, 35, 40, 45, 50,	5, 10
50	75, 100	5, 10
63	10, 15, 20,	Can't suit
80	25, 30, 35,	
80	40, 45, 50,	
100	75, 100	

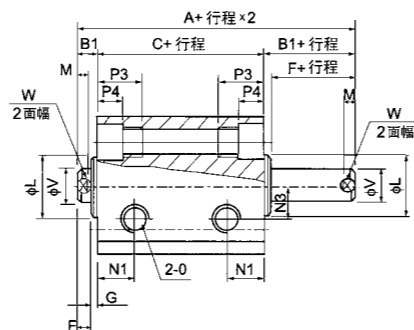
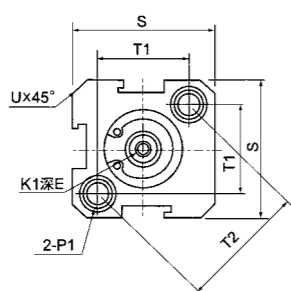
Note 1) Sensor switch specification the same with sensor switch serve

### Compact Cylinder

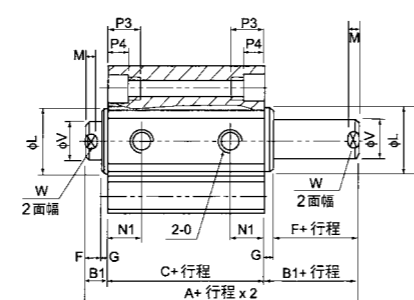
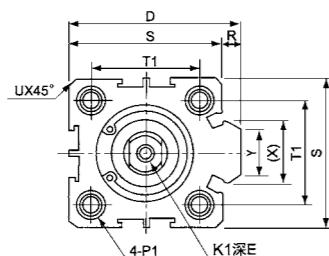
#### Figure Dimension

##### ● TGND、TGNS

●  $\phi 12 \sim \phi 16$



●  $\phi 20 \sim \phi 100$



Type	Without magnet			With magnet			D	Stroke $\leq 10$	Stroke $> 10$	F	G	K1	L	M	N1
	A	B1	C	A	B1	C		E							
12	27	5	17	37	5	27	—	6	4	1	M3x0.5	10	2.8	6.3	
16	29.5	5.5	18.5	39.5	5.5	28.5	—	6	4	1.5	M3x0.5	11	2.8	7.3	
20	30.5	5.5	19.5	40.5	5.5	29.5	36	8 (Stroke=5时为6.5)	4	1.5	M4x0.7	14	2.8	7.5	
25	33	6	21	43	6	31	42	10 (Stroke=5时为7)	4	2	M5x0.8	16	2.8	8	
32	38.5	7	24.5	48.5	7	34.5	50	8	4	3	M6x1	20	2.8	9	
40	40	7	26	50	7	36	58.5	9	4	3	M8x1.25	26	2.8	10	
50	46	9	28	56	9	38	71.5	11	5	4	M10x1.5	33	2.8	10.5	
63	50	9	32	60	9	42	84.5	11	5	4	M10x1.5	35	2.8	11.8	
80	63	11	41	73	11	51	104	14	6	5	M14x1.5	45	4	14.5	
100	75	12	51	85	12	61	124	18	7	5	M18x1.5	55	4	20.5	

Bore	N3	O	P1	P3	P4	R	S	T1	T2	U	V	W	X	Y
12	6	M5x0.8	Double side; $\Phi 6.5$ Cog M5x0.8 Through hole; $\Phi 4.2$	12	4.5	—	25	16.2	23	1.6	6	5	—	—
16	6.5	M5x0.8	Double side; $\Phi 6.5$ Cog M5x0.8 Through hole; $\Phi 4.2$	12	4.5	—	29	19.8	28	1.6	6	5	—	—
20	—	M5x0.8	Double side; $\Phi 6.5$ Cog M5x0.8 Through hole; $\Phi 4.2$	14	4.5	2	34	24	—	2.1	8	6	11.3	10
25	—	M5x0.8	Double side; $\Phi 8.2$ Cog M5x1.0 Through hole; $\Phi 4.6$	15	5.5	2	40	28	—	3.1	10	8	12	10
32	—	G1/8	Double side; $\Phi 8.2$ Cog M5x1.0 Through hole; $\Phi 4.6$	16	5.5	6	44	34	—	2.15	12	10	18.3	15
40	—	G1/8	Double side; $\Phi 10$ Cog M8x1.25 Through hole; $\Phi 6.5$	20	7.5	6.5	52	40	—	2.25	16	14	21.3	16
50	—	G1/4	Double side; $\Phi 11$ Cog M8x1.25 Through hole; $\Phi 6.5$	25	8.5	9.5	62	48	—	4.15	20	17	30	20
63	—	G1/4	Double side; $\Phi 11$ Cog M8x1.25 Through hole; $\Phi 6.5$	25	8.5	9.5	75	60	—	3.15	20	17	28.7	20
80	—	G3/8	Double side; $\Phi 14$ Cog M12x1.75 Through hole; $\Phi 9.2$	25	10.5	10	94	74	—	3.65	25	22	36	26
100	—	G3/8	Double side; $\Phi 17.5$ Cog M14x2 Through hole; $\Phi 11.3$	30	13	10	114	90	—	3.65	32	27	35	26

\* Special stroke please contact with us

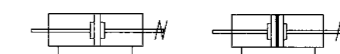
### Compact Cylinder

#### ● Character

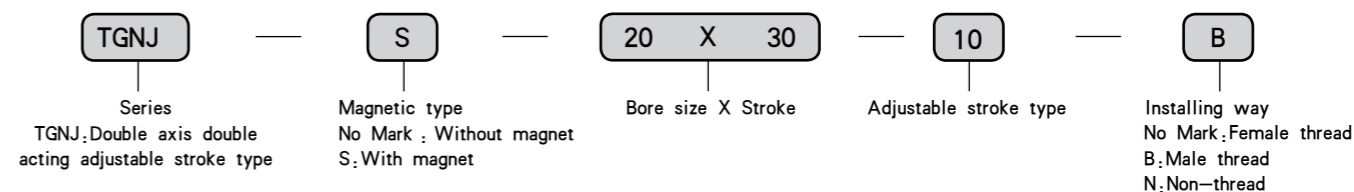
- Thin and light: In possession of the precision of action and service life, the length is only 1/2 ~ 1/3 of normal cylinder.
- Easy to install: With the embedding type of mounting, need nothing and save room.
- Easy to maintain: With simple design to assemble, install and repair easily.
- Magnet switch: Around the body, leave room for the magnet switch in advance to install and adjust the magnet position more easily.
- Adjustable stroke: Attached with adjustable nut, cylinder can adjust the stroke within its stroke range.



#### ■ Graphics Sign



#### ● Ordering Code



#### ■ Example

- Bore: 20mm, stroke: 30mm, adjustable stroke: 10, With magnet, Code: TGNJ-S-20 X 30-10-B
- Bore: 32mm, stroke: 100mm, adjustable stroke: 10, no thread, Code: TGNJ-32 X 100-10-N

#### ■ Specification

Bore (mm)	12	16	20	25	32	40	50	63	80	100
Action	Double acting type									
Applicable medium	Air									
Pressure range	0.1 ~ 0.9 MPa									
Proof pressure	1.35 MPa									
Temperature range	-10 ~ 60°C (No Freeze)									
Speed range	30 ~ 500 mm/s					30 ~ 350 mm/s			30 ~ 250 mm/s	
Cushion type	Mounted Cushion									
Port size	M5x0.8			G1/8		G1/4		G3/8		

#### ■ Stroke

Bore (mm)	12	16	20	25	32	40	50	63	80	100
Without magnet	5 ~ 60mm 5mm /grade	5 ~ 85mm 5mm /grade	5 ~ 90mm 5mm /grade	100 ~ 110mm 10mm /grade	5 ~ 90mm 5mm /grade	100 ~ 130mm 10mm /grade				
With magnet	5 ~ 50mm 5mm /grade	5 ~ 75mm 5mm /grade	5 ~ 90mm 5mm /grade	100mm	5 ~ 90mm 5mm /grade	100 ~ 120mm 10mm /grade				
Max. stroke	60mm	100mm	120mm			130mm				

\* Special stroke please contact with us

### Compact Cylinder

#### Product characteristic

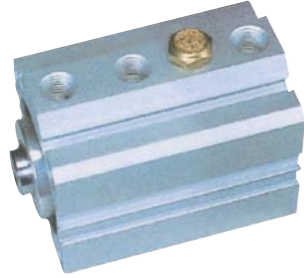
Thin and light: In possession of the precision of action and service life, the length is only 1/2 ~ 1/3 of normal cylinder.

Easy to install: With the embedding type of mounting, need nothing and save room.

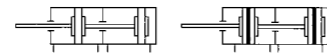
Easy to maintain: With simple design to assemble, install and repair easily.

Magnet switch: Around the body, leave room for the magnet switch in advance to install and adjust the magnet position more easily.

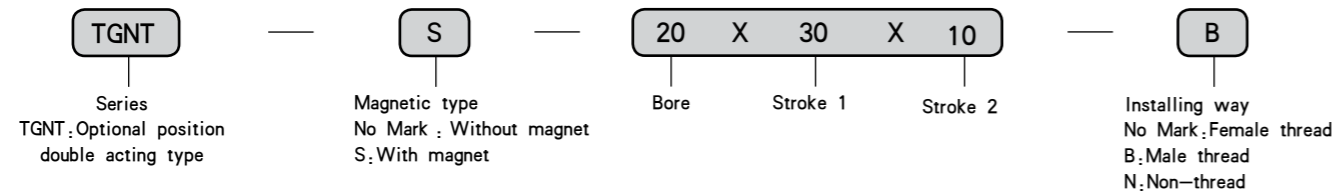
Optional Position: With two cylinders linked and different valve to control, cylinder has optional working positions in the stroke.



#### Graphics Sign



#### Ordering Code



#### Example

1) Bore: 20mm, stroke 1: 30mm, stroke 2: 10mm, with magnet the pistonrod with malescrew, high pressure cylinder,  
 Code: TGNT-S-20x30x10-B

#### Specification

Bore(mm)	12	16	20	25	32	40	50	63	80	100
Action	Double acting type									
Applicable medium	Air									
Pressure range	0.1~0.9 MPa									
Proof pressure	1.35 MPa									
Temperature range	-10~60°C (No Freeze)									
Speed range	30~500 mm/s					30~350 mm/s			30~250 mm/s	
Cushion type	Mounted Cushion									
Port size	M5x0.8			G1/8		G1/4		G3/8		

#### Stroke

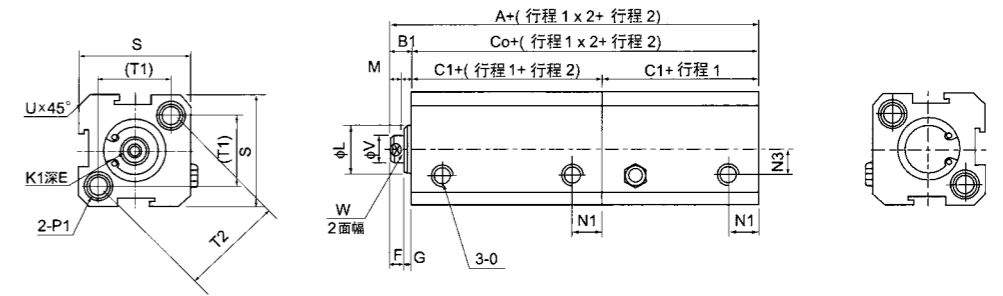
Bore(mm)	12	16	20	25	32	40	50	63	80	100
Without magnet	5~60mm 5mm/grade	5~85mm 5mm/grade	5~90mm 5mm/grade	100~110mm 10mm/grade	5~90mm 5mm/grade	100~130mm 10mm/grade				
With magnet	5~50mm 5mm/grade	5~75mm 5mm/grade	5~90mm 5mm/grade	100mm	5~90mm 5mm/grade	100~120mm 10mm/grade				
Max. stroke	60mm	100mm	120mm			130mm				

### Compact Cylinder

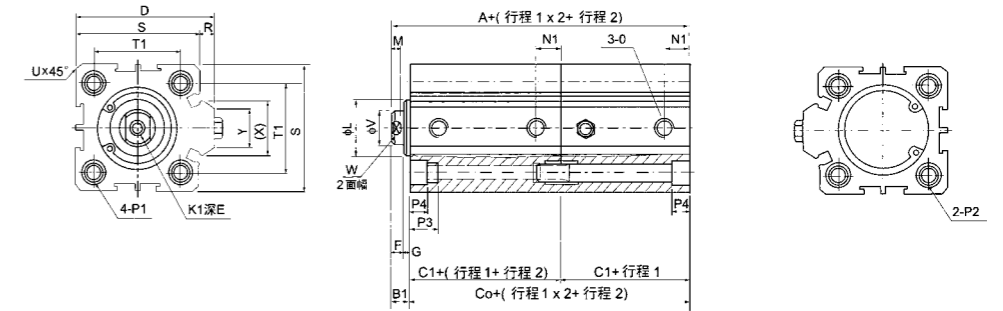
#### Figure Dimension

##### TGNT, TGNTS

●  $\phi 12 \sim \phi 16$



●  $\phi 20 \sim \phi 100$



Type	Without magnet				With magnet				D	E		F	G	K1	L	M	N1	N3
	A	B1	C0	C1	A	B1	C0	C1		Stroke ≤ 10	Stroke > 10							
12	39	5	34	17	59	5	54	27	—	6	4	1	M3x0.5	10	2.8	6.3	6	
16	42.5	5.5	37	18.5	62.5	5.5	57	28.5	—	6	4	1.5	M3x0.5	11	2.8	7.3	6.5	
20	44.5	5.5	39	19.5	64.5	5.5	59	29.5	36	8	4	1.5	M4x0.7	14	2.8	7.5	—	
25	48	6	42	21	68	6	62	31	42	10	4	2	M5x0.8	16	2.8	8	—	
32	56	7	49	24.5	76	7	69	34.5	50	12	4	3	M6x1	20	2.8	9	—	
40	59	7	52	26	79	7	72	36	58.5	12	4	3	M8x1.25	26	2.8	10	—	
50	65	9	5	28	85	9	76	38	71.5	15	5	4	M10x1.5	33	2.8	10.5	—	
63	73	9	64	32	93	9	84	42	84.5	15	5	4	M10x1.5	35	2.8	11.8	—	
80	93	11	82	41	113	11	102	51	104	15	6	5	M14x1.5	45	4	14.5	—	
100	114	12	102	51	134	12	122	61	124	18	7	5	M18x1.5	55	4	20.5	—	

Bore	O	P1		P2		P3	P4	R	S	T1	T2	U	V	W	X	Y
12	M5x0.8	ø6.5 Cog	M5x0.8 Through hole: ø4.2	-		12	4.5	—	25	16.2	23	1.6	6	5	—	—
16	M5x0.8	ø6.5 Cog	M5x0.8 Through hole: ø4.2	-		12	4.5	—	29	19.8	28	1.6	6	5	—	—
20	M5x0.8	Double side: ø6.5 Cog	M5x0.8 Through hole: ø4.2	Double side: ø6.5	Through hole: ø5.2	14	4.5	2	34	24	—	2.1	8	6	11.3	10
25	M5x0.8	Double side: ø8.2 Cog	M6x1.0 Through hole: ø4.6	Double side: ø8.2	Through hole: ø6.2	15	5.5	2	40	28	—	3.1	10	8	12	10
32	G1/8	Double side: ø8.2 Cog	M6x1.0 Through hole: ø4.6	Double side: ø8.2	Through hole: ø6.2	16	5.5	6	44	34	—	2.15	12	10	18.3	15
40	G1/8	Double side: ø10 Cog	M8x1.25 Through hole: ø6.5	Double side: ø10	Through hole: ø8.2	20	7.5	6.5	52	40	—	2.25	16	14	21.3	16
50	G1/4	Double side: ø11 Cog	M8x1.25 Through hole: ø6.5	Double side: ø11	Through hole: ø8.5	25	8.5	9.5	62	48	—	4.15	20	17	30	20
63	G1/4	Double side: ø11 Cog	M8x1.25 Through hole: ø6.5	Double side: ø11	Through hole: ø8.5	25	8.5	9.5	75	60	—	3.15	20	17	28.7	20
80	G3/8	Double side: ø14 Cog	M12x1.75 Through hole: ø9.2	Double side: ø14	Through hole: ø12.3	25	10.5	10	94	74	—	3.65	25	22	36	26
100	G3/8	Double side: ø17.5 Cog	M14x2 Through hole: ø11.3	Double side: ø17.5	Through hole: ø14.2	30	13	10	114	90	—	3.65	32	27	35	26

### Compact Cylinder

#### Product characteristic

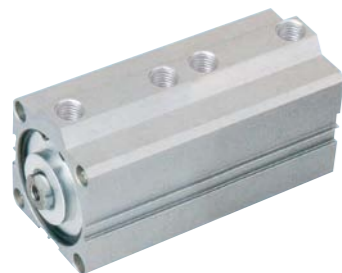
Thin and light: In possession of the precision of action and service life, the length is only 1/2 ~ 1/3 of normal cylinder.

Easy to install: With the embedding type of mounting, need nothing and save room.

Easy to maintain: With simple design to assemble, install and repair easily.

Magnet switch: Around the body, leave room for the magnet switch in advance to install and adjust the magnet position more easily.

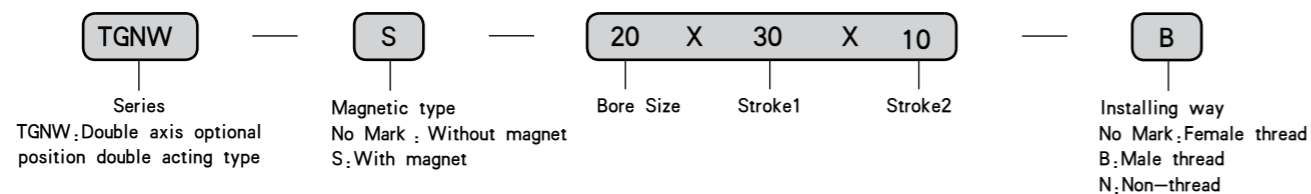
Optional Position: With two cylinders linked and different valve to control, cylinder has optional working positions in the stroke.



#### Graphics Sign



#### Ordering Code



#### Example

1) Bore: 20mm, stroke1: 30mm, stroke2: 10mm, male thread, magnet type

Code : TGNW-S-20 X 30 X 10-B

#### Specification

Bore(mm)	12	16	20	25	32	40	50	63	80	100
Action	Double acting type									
Applicable medium	Air									
Pressure range	0.1~0.9 MPa									
Proof pressure	1.35 MPa									
Temperature range	-10~60°C (No Freeze)									
Speed range	30~500 mm/s					30~350 mm/s			30~250 mm/s	
Cushion type	Mounted Cushion									
Port size	M5x0.8			G1/8		G1/4		G3/8		

#### Stroke

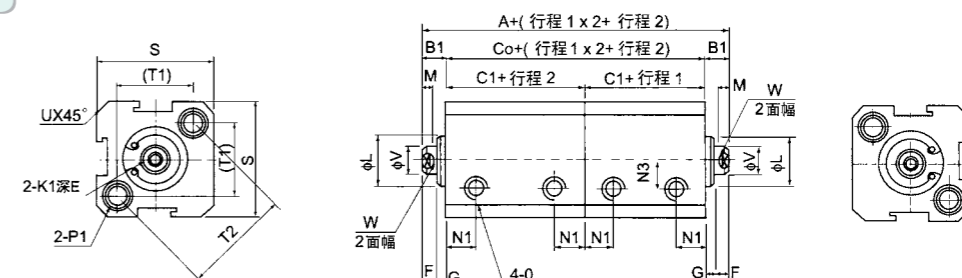
Bore(mm)	12	16	20	25	32	40	50	63	80	100
Without magnet	5~60mm 5mm/grade	5~85mm 5mm/grade	5~90mm 5mm/grade	100~110mm 10mm/grade	5~90mm 5mm/grade	100~130mm 10mm/grade				
With magnet	5~50mm 5mm/grade	5~75mm 5mm/grade	5~90mm 5mm/grade	100mm	5~90mm 5mm/grade	100~120mm 10mm/grade				
Max. stroke	60mm	100mm	120mm			130mm				

### Compact Cylinder

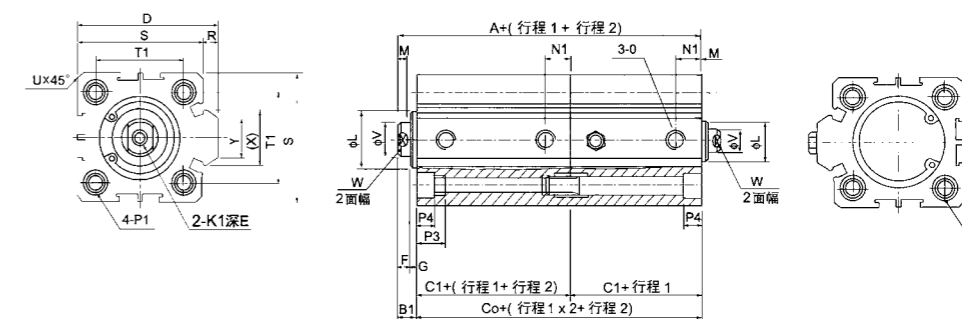
#### Figure Dimension

##### TGNW, TGNWS

●  $\phi 12 \sim \phi 16$



●  $\phi 20 \sim \phi 100$



Type	Without magnet				With magnet				D	E		F	G	K1	L	M	N1	N3
	A	B1	C0	C1	A	B1	C0	C1		Stroke $\leq 10$	Stroke $> 10$							
12	44	5	34	17	64	5	54	27	-	6	4	1	M3x0.5	10	2.8	6.3	6	
16	48	5.5	37	18.5	68	5.5	57	28.5	-	6	4	1.5	M3x0.5	11	2.8	7.3	6.5	
20	50	5.5	39	19.5	70	5.5	59	29.5	36	8	4	1.5	M4x0.7	14	2.8	7.5	-	
25	54	6	42	21	74	6	62	31	42	10	4	2	M5x0.8	16	2.8	8	-	
32	63	7	49	24.5	83	7	69	34.5	50	12	4	3	M6x1	20	2.8	9	-	
40	66	7	52	26	86	7	72	36	58.5	12	4	3	M8x1.25	26	2.8	10	-	
50	74	9	56	28	94	9	76	38	71.5	15	5	4	M10x1.5	33	2.8	10.5	-	
63	82	9	64	32	102	9	84	42	84.5	15	5	4	M10x1.5	35	2.8	11.8	-	
80	104	11	82	41	124	11	102	51	104	15	6	5	M14x1.5	45	4	14.5	-	
100	126	12	102	51	146	12	122	61	124	18	7	5	M18x1.5	55	4	20.5	-	

Bore	O	P1				P2				P3	P4	R	S	T1	T2	U	V	W	X	Y
12	M5x0.8	$\phi 6.5$ Cog M5x0.8 Through hole: $\phi 4.2$				-				12	4.5	-	25	16.2	23	1.6	6	5	-	-
16	M5x0.8	$\phi 6.5$ Cog M5x0.8 Through hole: $\phi 4.2$				-				12	4.5	-	29	19.8	28	1.6	6	5	-	-
20	M5x0.8	Double side: $\phi 6.5$ Cog M5x0.8 Through hole: $\phi 4.2$				Double side: $\phi 6.5$ Through hole: $\phi 5.2$				14	4.5	2	34	24	-	2.1	8	6	11.3	10
25	M5x0.8	Double side: $\phi 8.2$ Cog M6x1.0 Through hole: $\phi 4.6$				Double side: $\phi 8.2$ Through hole: $\phi 6.2$				15	5.5	2	40	28	-	3.1	10	8	12	10
32	G1/8	Double side: $\phi 8.2$ Cog M6x1.0 Through hole: $\phi 4.6$				Double side: $\phi 8.2$ Through hole: $\phi 6.2$				16	5.5	6	44	34	-	2.15	12	10	18.3	15
40	G1/8	Double side: $\phi 10$ Cog M8x1.25 Through hole: $\phi 6.5$				Double side: $\phi 10$ Through hole: $\phi 8.2$				20	7.5	6.5	52	40	-	2.25	16	14	21.3	16
50	G1/4	Double side: $\phi 11$ Cog M8x1.25 Through hole: $\phi 6.5$				Double side: $\phi 11$ Through hole: $\phi 8.5$				25	8.5	9.5	62	48	-	4.15	20	17	30	20
63	G1/4	Double side: $\phi 11$ Cog M8x1.25 Through hole: $\phi 6.5$				Double side: $\phi 11$ Through hole: $\phi 8.5$				25	8.5	9.5	75	60	-	3.15	20	17	28.7	20
80	G3/8	Double side: $\phi 14$ Cog M12x1.75 Through hole: $\phi 9.2$				Double side: $\phi 14$ Through hole: $\phi 12.3$				25	10.5	10	94	74	-	3.65	25	22	36	26
100	G3/8	Double side: $\phi 17.5$ Cog M14x2 Through hole: $\phi 11.3$				Double side: $\phi 17.5$ Through hole: $\phi 14.2$				30	13	10	114	90	-	3.65	32	27	35	26



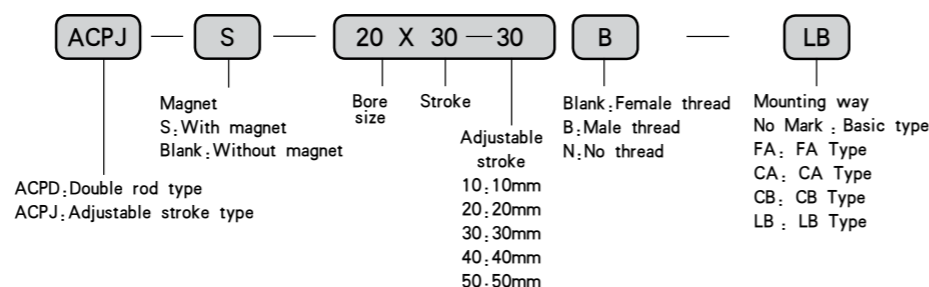
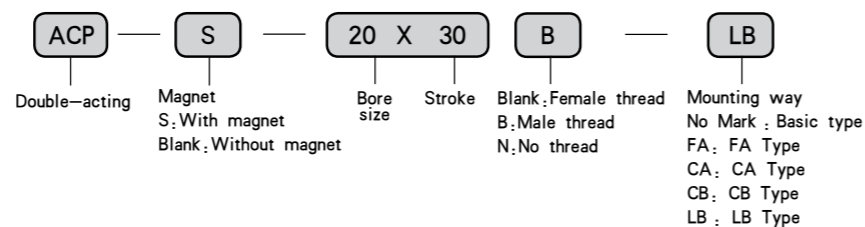
### ACP Series Compact Cylinder

Accord : ISO21287

#### Character

气缸缸体与前后盖螺纹连接，强度高，维修方便；缸体内径滚压处理后再做硬质氧化处理，耐磨、耐久性好；活塞密封采用异型双向密封设计，尺寸紧凑，有储油功能。

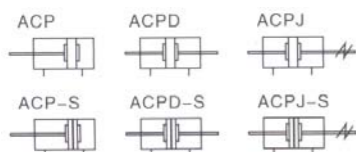
#### Ordering Code



#### Order Example

1) Bore: 20mm, Stroke: 50mm, Mounting way: LB, Ordering Code: ACP-20x50-LB

#### Graphics Sign



#### Standard Specification

Bore (mm)	12	16	20	25	32	40	50	63	80	100
Working Medium	Air									
Motion Pattern	Double Action type			Single Action—Push type			Single Action—Pull type			
Ensured Pressure Resistance	1.5MPa									
Voltage Range (Double Action)	0.1—1.0MPa									
Minimum Operating Pressure (Single Action)	0.2—1.0MPa									
Temperature range	-10 ~ 60°C (No Freeze)									
Buffer	Fender									
Speed range	Double Action: 30 ~ 500mm/s					Single Action: 50 ~ 500mm/s				
Port size	M5x0.8					G1/8			G1/4	

\* 如需要润滑，请使用透平1号油 ISOVG32

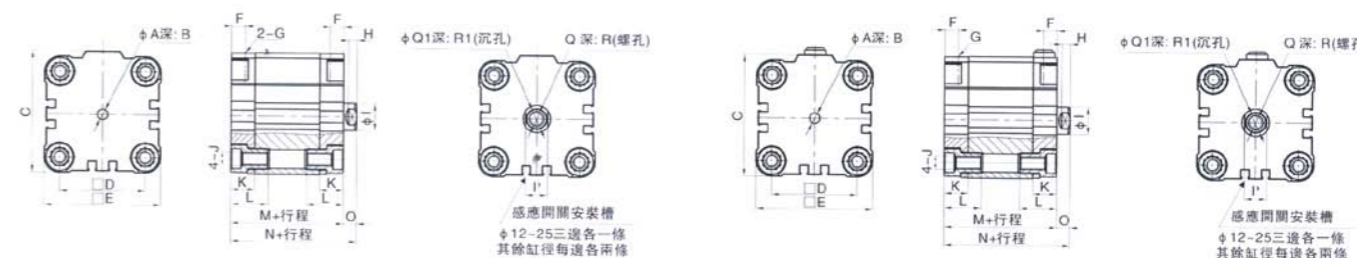
#### Stroke

Bore (mm)	Standard stroke (mm)	Max stroke	容许行程
12 16	Double action	5 10 15 20 25 30 35 40 45 50 55 60 65 70 75 80 85 90 95 100 110 120 125 150 160 175 200	200
	Single action	5 10	10
20 25	Double action	5 10 15 20 25 30 35 40 45 50 55 60 65 70 75 80 85 90 95 100 110 120 125 150 160 175 200	200
	Single action	5 10 15 20 25	25
32 40	Double action	5 10 15 20 25 30 35 40 45 50 55 60 65 70 75 80 85 90 95 100 110 120 125 150 160 175 200	300
	Single action	5 10 15 20 25	25
50 63	Double action	5 10 15 20 25 30 35 40 45 50 55 60 65 70 75 80 85 90 95 100 110 120 125 150 160 175 200	400
	Single action	5 10 15 20 25	25
80 100	Double action	5 10 15 20 25 30 35 40 45 50 55 60 65 70 75 80 85 90 95 100 110 120 125 150 160 175 200	400
	Single action	5 10 15 20 25	25

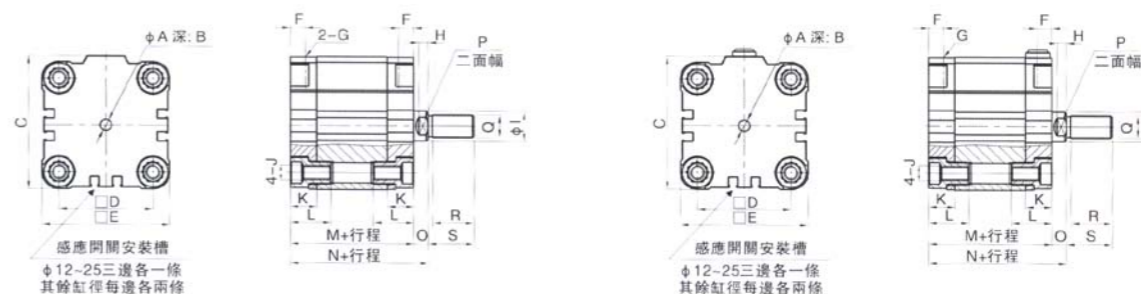
### ACP Series Compact Cylinder

Accord : ISO21287

#### Specification



No	A	B	C	D	E	F	G	H	I	J	K	L	M	N	O	P	Q	Q1	R	R1
12	6	4	29.5	18	28.5	7	M5x0.8	3	6	M4x0.7	11.5	18	38	42.5	4.5	5	M6x1.0	3.3	8	1.5
16	6	4	29.5	18	28.5	7	M5x0.8	3	8	M4x0.7	11.5	18	38	42.5	4.5	6	M8x1.25	4.5	15	1.5
20	6	4	37.5	22	35.5	7	M5x0.8	3	10	M5x0.8	11.5	18	38	42.5	4.5	8	M10x1.25	5.5	19	2
25	6.1	4	41	26	39.5	7	M5x0.8	4	10	M5x0.8	11.5	18	39.5	45	5.5	8	M10x1.25	5.5	20	2
32	6.1	4	51.5	32	49.5	8	G1/8	4.5	12	M6x1.0	14	21	44.5	50.5	6	10	M10x1.25	6.5	20	2.6
40	6.1	4	62	42	59.5	8	G1/8	4.5	12	M6x1.0	14	21	45.5	52	6.5	10	M10x1.25	6.5	20	2.6
50	6.1	4	70.5	50	67.5	8	G1/8	5	16	M8x1.25	14	21.5	45.5	53	7.5	13	M12x1.25	8.5	22	3.3
63	8.1	4	90.5	62	86.5	8	G1/8	5	16	M10x1.5	15	24	50	57.5	7.5	13	M12x1.25	8.5	22	3.3
80	8.1	4	110.5	82	106.5	8.5	G1/8	5.5	20	M10x1.5	16	27	56	64	8	17	M16x1.5	10.5	30	4.7
100	8.1	4	132.5	103	127.5	10.5	G1/4	7.5	25	M10x1.5	19	32	66.5	76.5	10	22	M20x1.5	12.5	38	6.1



No	A	B	C	D	E	F	G	H	I	J	K	L	M	N	O	P	Q	R	S
12	6	4	29.5	18	28.5	7	M5x0.8	3	6	M4x0.7	11.5	18	38	42.5	4.5	5	M6x1.0	15	16
16	6	4	29.5	18	28.5	7	M5x0.8	3	8	M4x0.7	11.5	18	38	42.5	4.5	6	M8x1.25	19	20
20	6	4	37.5	22	35.5	7	M5x0.8	3	10	M5x0.8	11.5	18	38	42.5	4.5	8	M10x1.25	20	22
25	6.1	4	41	26	39.5	7	M5x0.8	4	10	M5x0.8	11.5	18	39.5	45	5.5	8	M10x1.25	20	22
32	6.1	4	51.5	32	49.5	8	G1/8	4.5	12	M6x1.0	14	21	44.5	50.5	6	10	M10x1.25	20	22
40	6.1	4	62	42	59.5	8	G1/8	4.5	12	M6x1.0	14	21	45.5	52	6.5	10	M10x1.25	20	22
50	6.1	4	70.5	50	67.5	8	G1/8	5	16	M8x1.25	14	21.5	45.5	53	7.5	13	M12x1.25	22	24
63	8.1	4	90.5	62	86.5	8	G1/8	5	16	M10x1.5	15	24	50	57.5	7.5	13	M12x1.25	22	24
80	8.1	4	110.5	82	106.5	8.5	G1/8	5.5	20	M10x1.5	16	27	56	64	8	17	M16x1.5	30	32
100	8.1	4	132.5	103	127.5	10.5	G1/4	7.5	25	M10x1.5	19	32	66.5	76.5	10	22	M20x1.5	38	40



## Free Mounting Cylinder

( $\phi 12 - \phi 25$ )

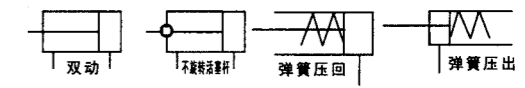


### Character

本系列产品是单向型辅助元件，可将系统中工作过的压缩空气快速排放。一般配置在气缸和换向阀之间，使气缸内的气体不通过换向阀快速排出。用于使气动元件或装置快速排气的场合。



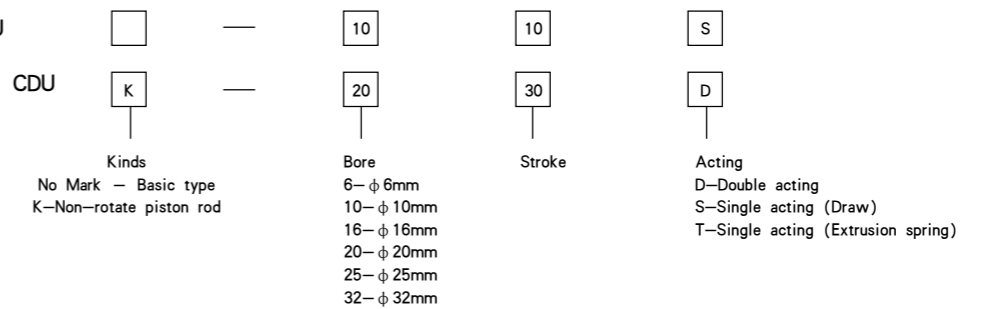
### Graphics Sign



### Chosen Type

Basic Type : CU

Magnetic Type : CDU



### Order Example

- 1) Bore : 6, Stroke : 10, Double acting, Un-rotate piston rod type Code : CUK6-10D
- 2) Bore : 25, Stroke : 25, Double acting (Draw), Within magnet Code : CDU25-25S

### Standard Specification

Type (mm)	6	10	16	20	25	32
Applicable medium	Air					
Action	Double acting Single acting : Drawing / Extrusion					
Proof pressure	1.0Mpa(10.5kgf/cm <sup>2</sup> )					
Highest pressure	0.7Mpa(7.1kgf/cm <sup>2</sup> )					
Environment and fluid temperature	-10 ~ 60°C(No Freeze)					
Cushion	Rubber Cushion					
Stroke tolerance	+1.0, 0					
* Lubrication	No Required					
Mounting	Free (Multifaces Mounting)					
Non rotating accuracy (Only CUK/CDUK)	$\pm 0.8^\circ$			$\pm 0.5^\circ$		
Pipe Size	M5 x 0.8					1/8

\*If Lubricate please use ISOVG32

### Free Mounting Cylinder

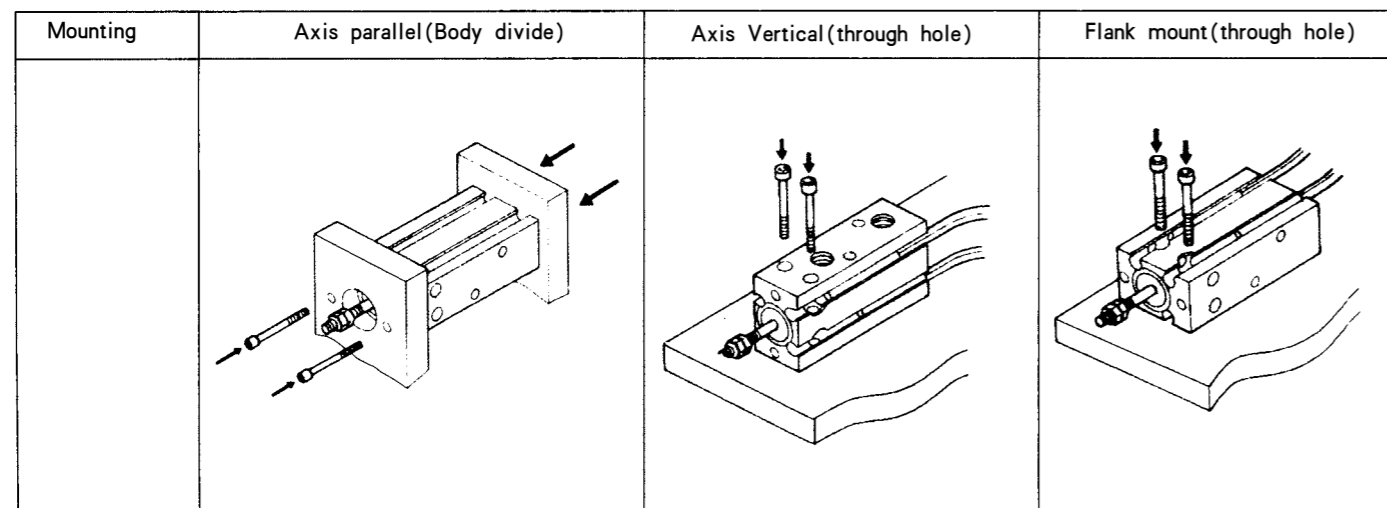
(φ 12-φ 25)

#### Stroke/Magnetic Switch

Bore (mm)	Standard Stroke		Orbit Mounting type * Magnetic switch
	Double acting	Single acting	
6	5, 10, 15, 20, 25, 30	5, 10, 15	D-A90L D-A93L D-A96L D-A80L D-F9NL D-F9BL
10			
16			
20	5, 10, 15, 20, 25, 30, 40, 50		
25			
32			

\* Magnet switch specification refer to magnet switch series

#### Installation with strong adaptability/Rectangle cylinder

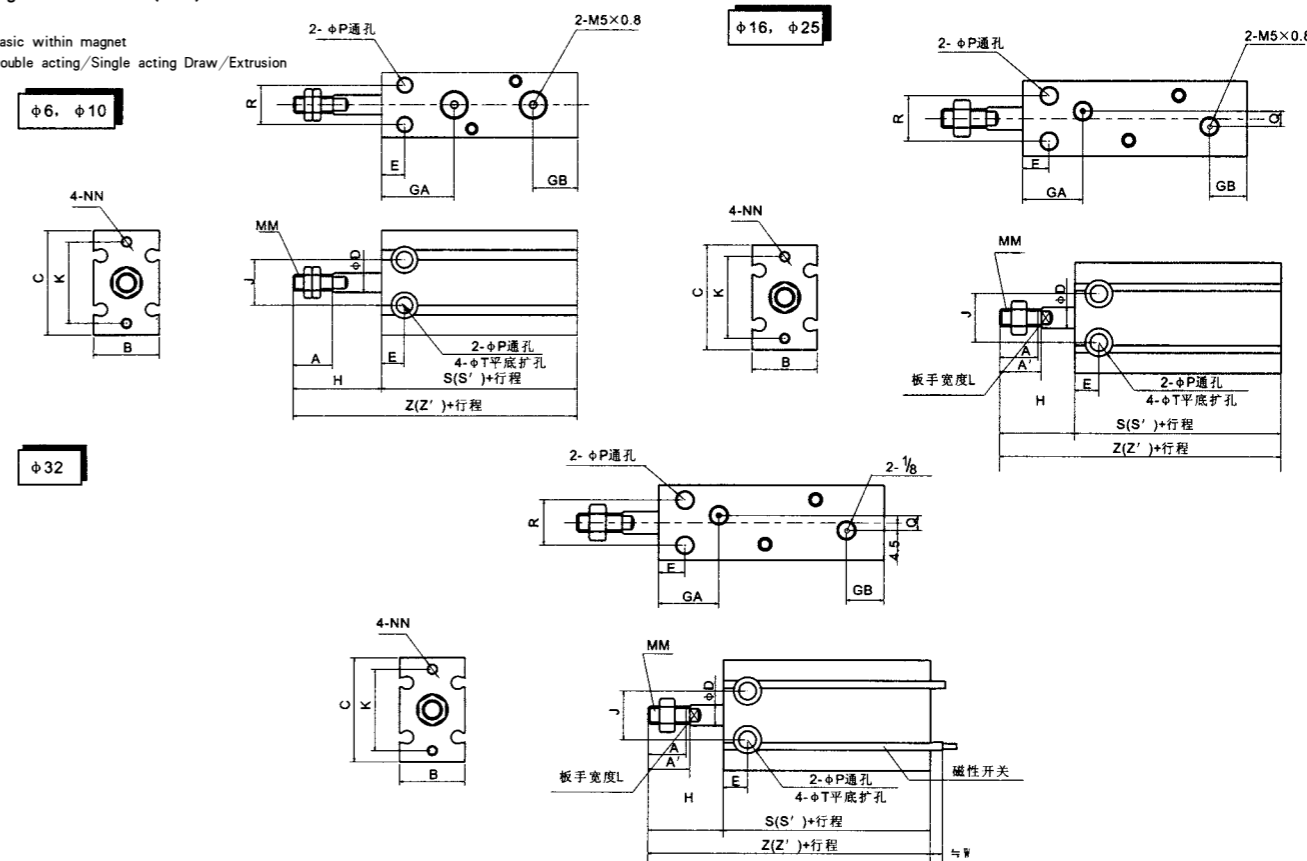


### Free Mounting Cylinder

(φ 12-φ 25)

Figure Dimension (mm)

Basic within magnet  
Double acting/Single acting Draw/Extrusion



Dimension sheet

Type	A	A'	B	C	φD	E	GA	GB	J	K	L	MM	NN	φP	Q	R	φT
C □ U6	7	-	13	22	3	7	14.5	10	10	17	-	M3×0.5	M3×0.5 深5	3.4	-	7	6 深4.8
C □ U10	10	-	15	24	4	7	15.5	10	11	18	-	M4×0.7	M3×0.5 深5	3.4	-	9	6 深5
C □ U16	11	12.5	20	32	6	7	16.5	11.5	14	25	5	M5×0.8	M4×0.7 深6	4.5	4	12	7.5 深6.5
C □ U20	12	14	26	40	8	9	19	12.5	16	30	6	M8×1.25	M5×0.8 深8	5.5	9	16	9.5 深8
C □ U25	15.5	18	32	50	10	10	21	13	20	38	8	M8×1.25	M5×0.8 深8	5.5	9	20	9.5 深9
C □ U32	19.5	22	40	62	12	11	22	13	24	48	10	M10×1.25	M6×1.0 深9	6.6	13.5	24	11 深11.5

Double acting dimension sheet

Type	H	Basic type		Magnetic Type		
		S	Z	W	S'	Z'
		5st	10st	15st	5st	10st
C □ U6-□D	13	33	46	2.5	33	46
C □ U10-□D	16	36	52	1	36	52
C □ U16-□D	16	30	46	0	40	56
C □ U20-□D	19	36	55	1	46	65
C □ U25-□D	23	40	63	-1	50	73
C □ U32-□D	27	42	69	-4	52	79

Single acting(Spring draw) dimension sheet

Type	H	Basic type						Magnetic Type						
		S			Z			W	S			Z'		
		5st	10st	15st	5st	10st	15st		5st	10st	15st	5st	10st	15st
C □ U6-□S	13	38	43	48	51	56	61	2.5	38	43	48	51	56	61
C □ U10-□S	16	41	46	56	57	62	72	1	41	46	56	57	62	72
C □ U16-□S	16	35	40	50	51	56	66	0	45	50	60	61	66	76
C □ U20-□S	19	41	46	56	60	65	75	1	51	56	66	70	75	85
C □ U25-□S	23	45	50	60	58	73	83	-1	55	60	70	78	83	93
C □ U32-□S	27	47	52	62	74	79	89	-4	57	62	72	84	89	99

Single acting(Spring extruse) dimension sheet

Type	H		Basic type						Magnetic Type							
	S			Z			W	S			Z'					
	5st	10st	15st	5st	10st	15st		5st	10st	15st	5st	10st	15st			
C □ U6-□T	18	23	28	38	43	48	56	66	76	2.5	38	43	48	56	61	76
C □ U10-□T	21	26	31	41	46	56	62	72	87	1	41	46	56	62	72	87
C □ U16-□T	21	26	31	35	40	50	66	76	91	0	45	50	60	66	76	91
C □ U20-□T	24	29	34	41	46	56	65	75	90	1	51	56	66	75	85	100
C □ U25-□T	28	33	38	45	50	60	73	83	98	-1	55	60	70	83	93	108
C □ U32-□T	32	37	42	47	52	62	79	89	104	-4	57	62	72	89	99	114

\*SY+Stroke

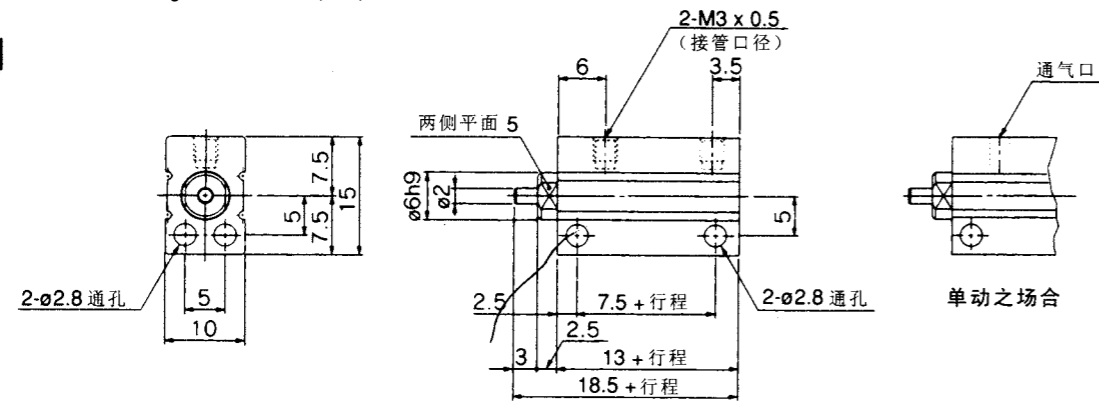


### Mini Free Mounting Cylinder

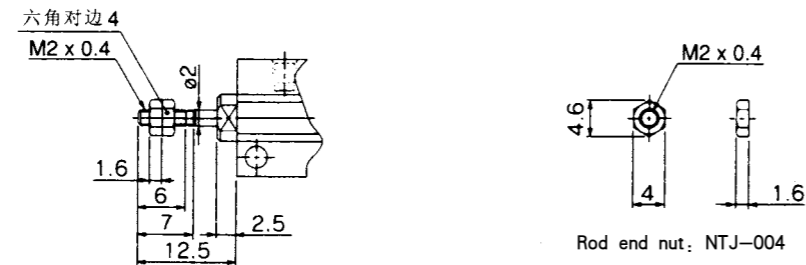
( $\phi 4 - \phi 10$ )

Figure Dimension (mm)

CUJB4

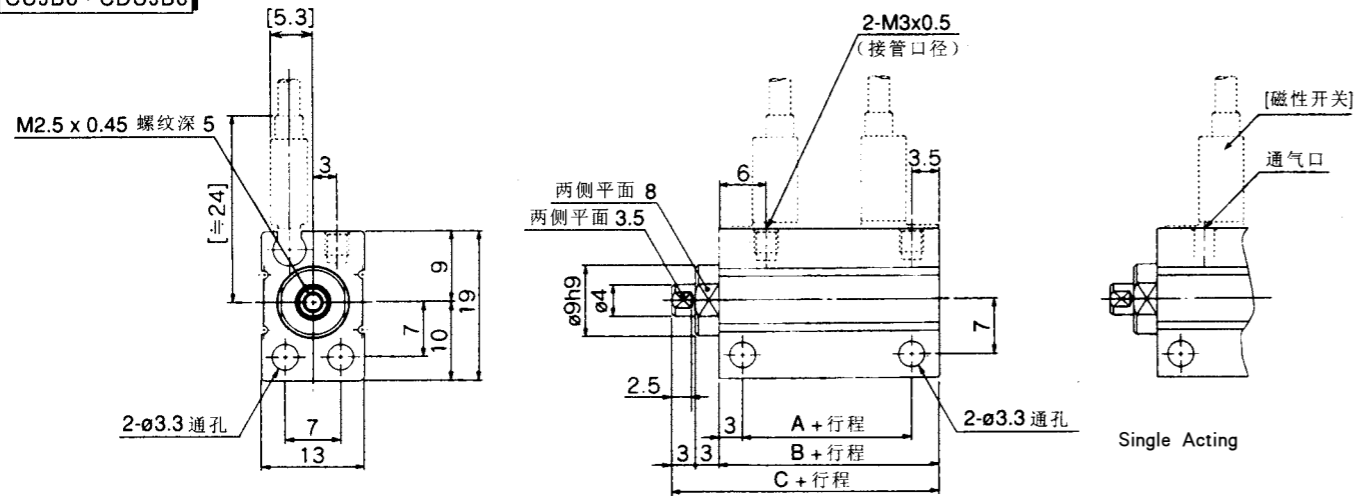


Rod end male thread

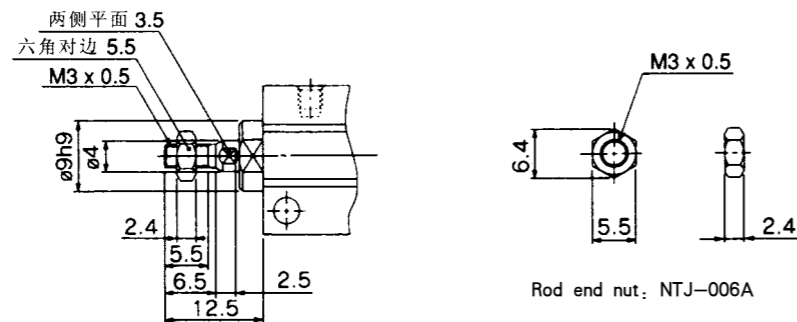


Rod end nut: NTJ-004

CUJB6 • CDUJB6



Rod end male thread



Rod end nut: NTJ-006A

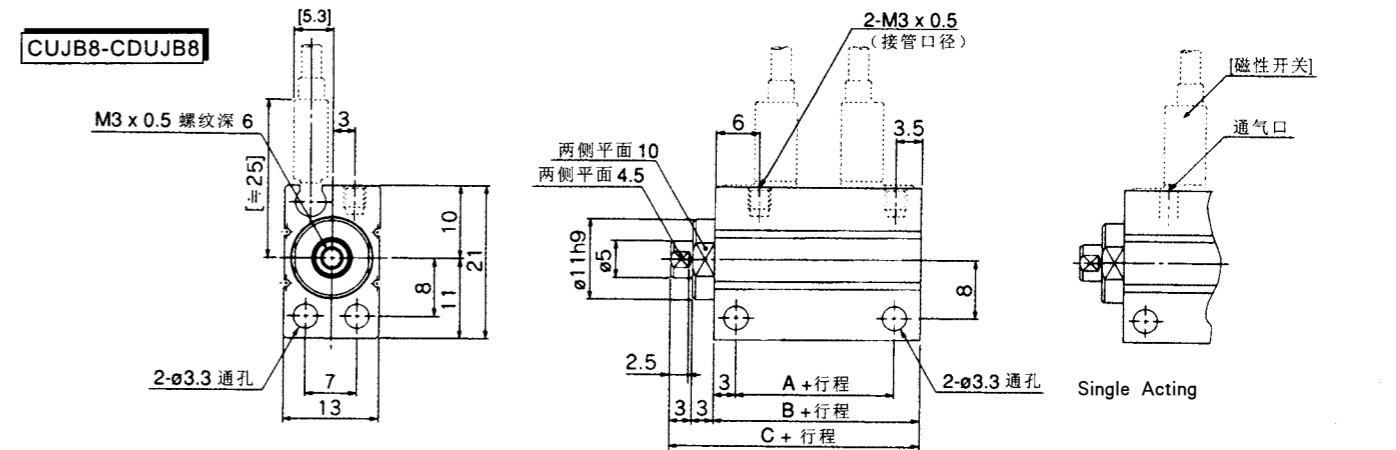
Type	A	B	C
CUJB6	6.5	13	19
CDUJB6	11.5	18	24

### Mini Free Mounting Cylinder

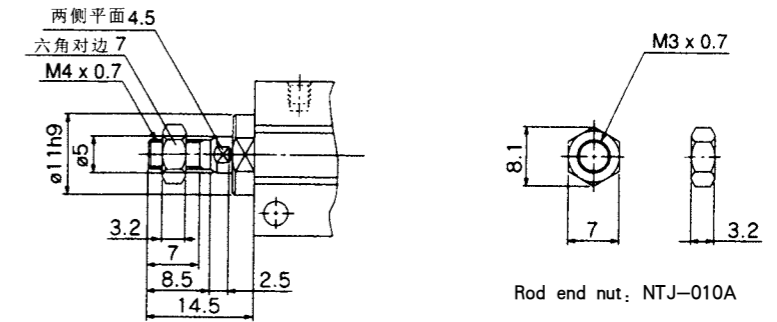
( $\phi 4 - \phi 10$ )

Figure Dimension (mm)

CUJB8-CDUJB8



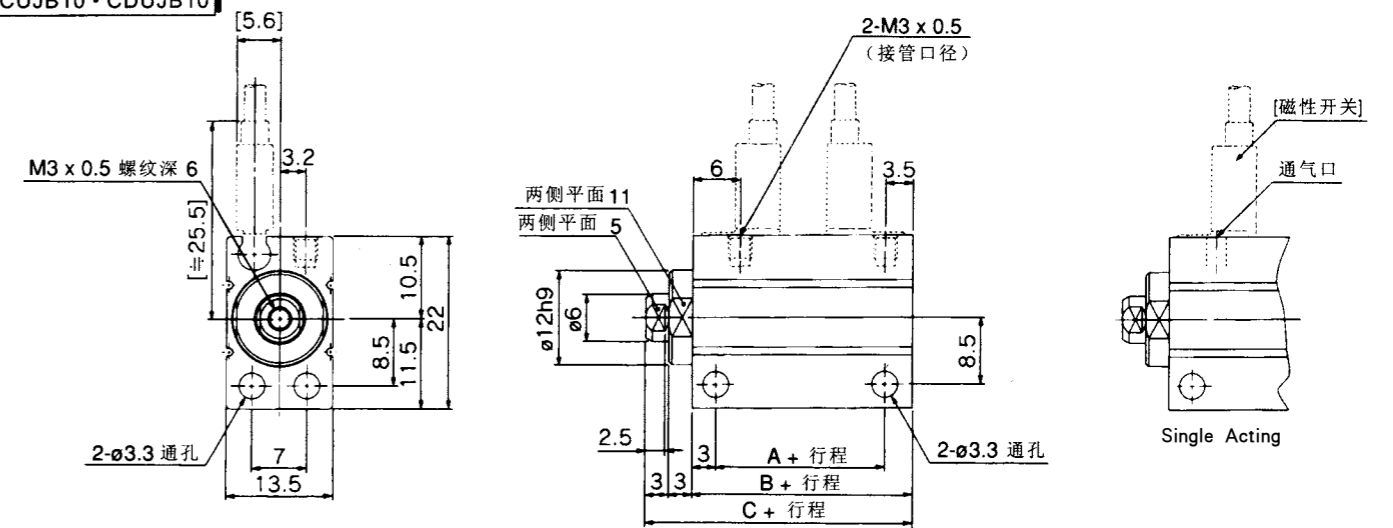
Rod end male thread



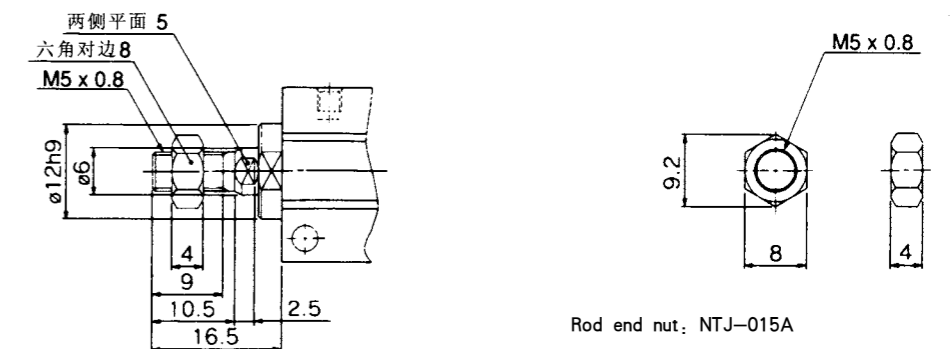
Rod end nut: NTJ-010A

Type	A	B	C
CUJB8	6.5	13	19
CDUJB8	11.5	18	24

CUJB10 • CDUJB10



Rod end male thread



Rod end nut: NTJ-015A

Type	A	B	C
CUJB10	6.5	13	19
CDUJB10	11.5	18	24

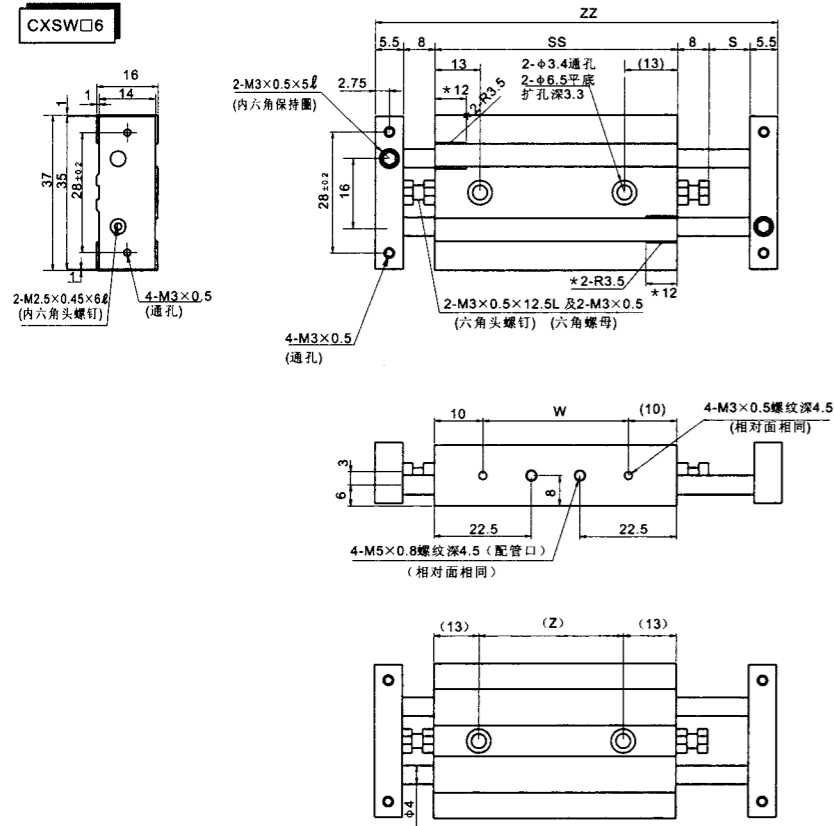






### Through Rod Double Tubes Cylinder

Figure Dimension (mm)

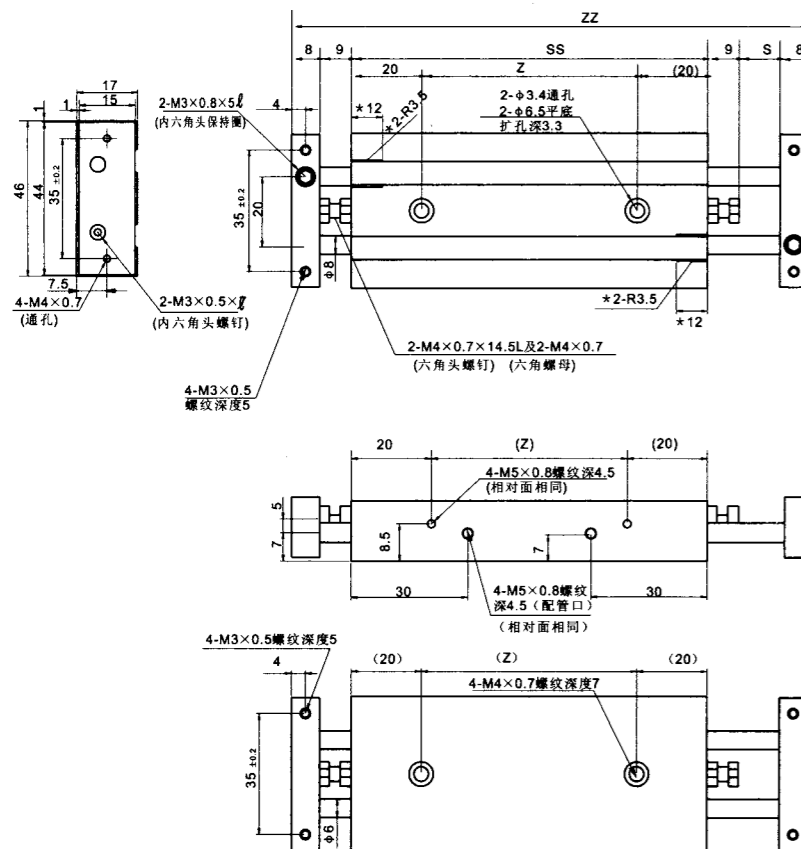


(φ6-φ32)

Type	S	SS	ZZ	Z	W
CXSW □ 6-10	10	66	103	40	46
CXSW □ 6-20	20	76	123	50	56
CXSW □ 6-30	30	86	143	60	66
CXSW □ 6-40	40	96	163	70	76
CXSW □ 6-50	50	106	183	80	86

Cutting away the part of sensor switch channel, for mounting the sensor switch of CXSW □ 10-10 and CXSW □ 10-20

**CXSW□10**

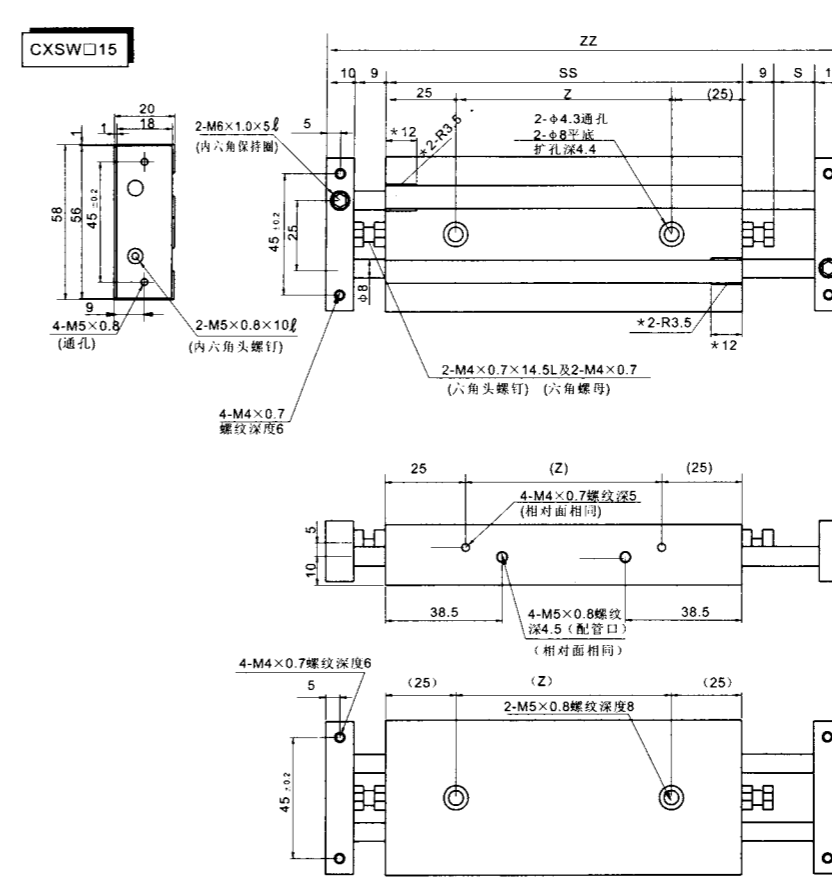


Type	S	SS	ZZ	Z
CXSW □ 10-10	10	92	136	52
CXSW □ 10-20	20	102	156	62
Standard Stroke CXSW □ 10-30	30	112	176	72
CXSW □ 10-40	40	122	196	82
CXSW □ 10-50	50	132	216	92
CXSW □ 10-75	75	157	266	117
Long Stroke (-XB11) CXSW □ 10-100	100	182	316	142
CXSW □ 10-125	125	207	366	167
CXSW □ 10-150	150	232	416	192

Cutting away the part of sensor switch channel, for mounting the sensor switch of CXSW □ 10-10 and CXSW □ 10-20

### Through Rod Double Tubes Cylinder

Figure Dimension (mm)

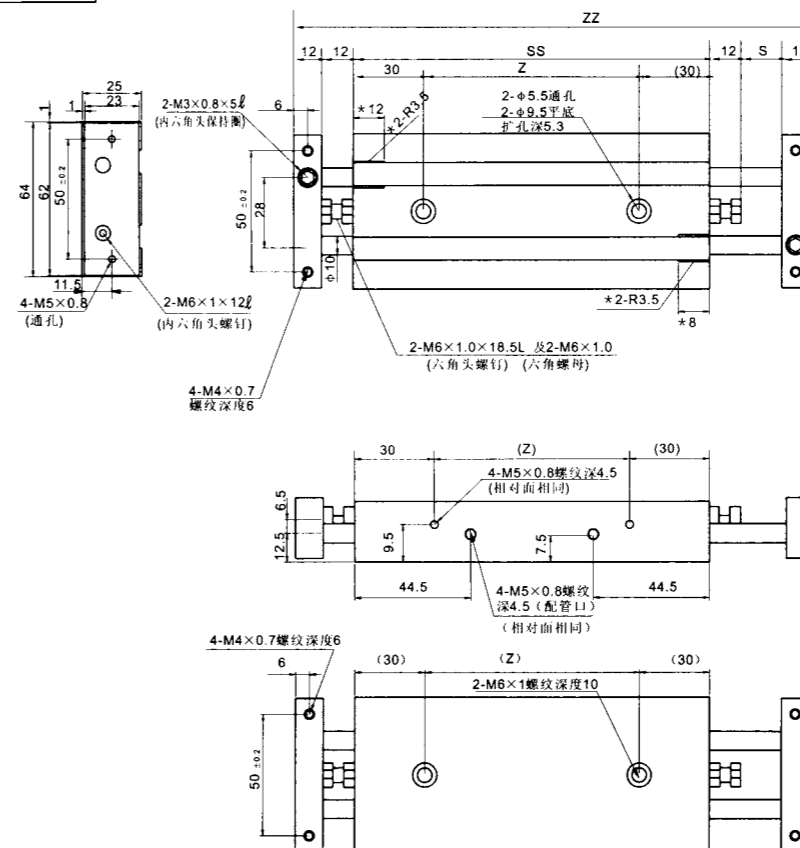


(φ6-φ32)

Type	S	SS	ZZ	Z
Standard CXSW □ 15-10	10	106	153	55
CXSW □ 15-20	20	115	173	65
CXSW □ 15-30	30	125	193	75
Stroke CXSW □ 15-40	40	135	213	85
CXSW □ 15-50	50	145	233	95
CXSW □ 15-75	75	170	283	120
Long Stroke CXSW □ 15-100	100	195	333	145
CXSW □ 15-125	125	220	383	170
(-XB11) CXSW □ 15-150	150	245	433	195

Cutting away the part of sensor switch channel, for mounting the sensor switch of CXSW □ 15-10 and CXSW □ 15-20

**CXSW□20**



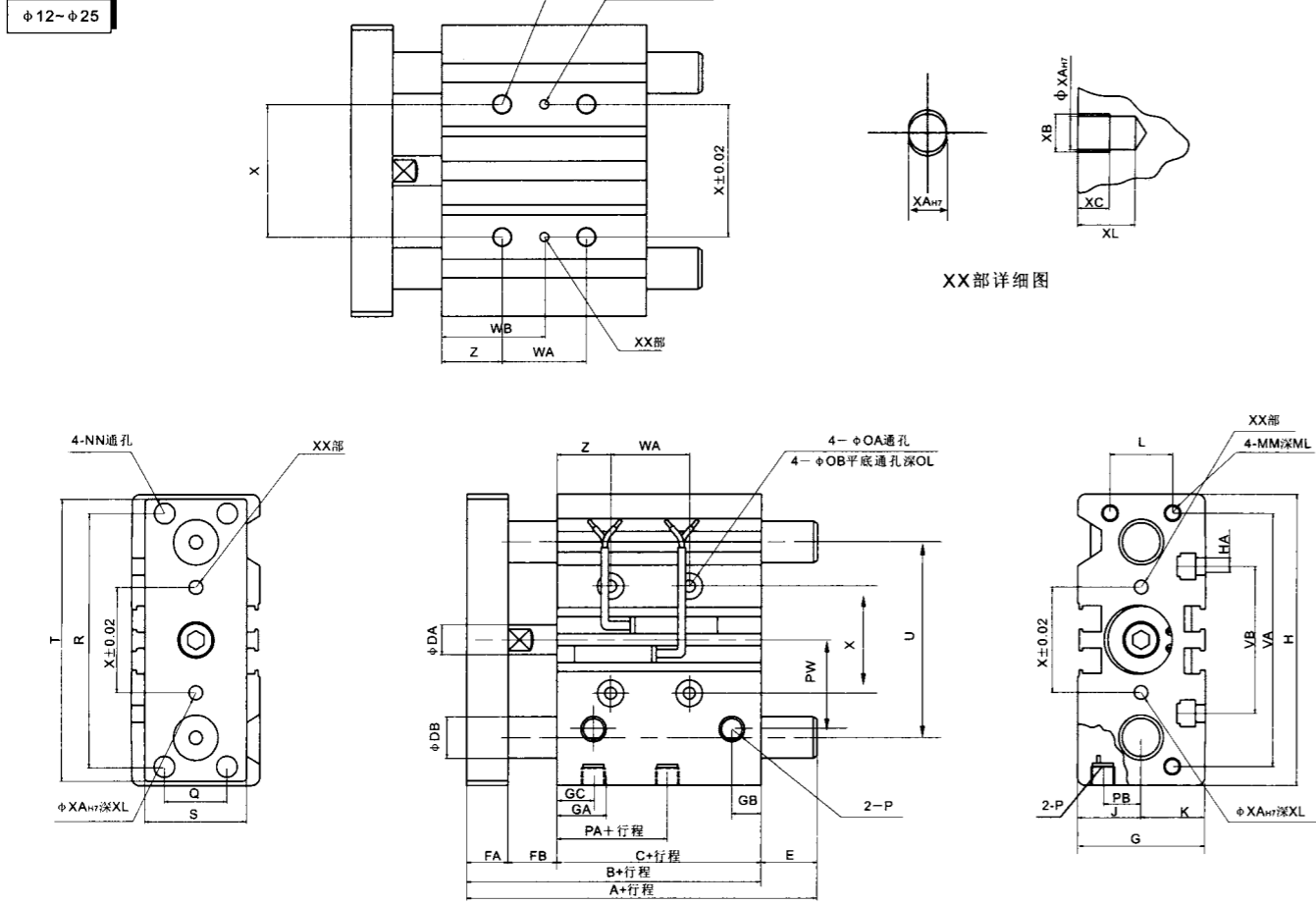
Type	S	SS	ZZ	Z
CXSW □ 20-10	10	120	178	60
CXSW □ 20-20	20	130	198	70
Standard Stroke CXSW □ 20-30	30	140	218	80
CXSW □ 20-40	40	150	238	90
CXSW □ 20-50	50	160	258	100
CXSW □ 20-75	75	185	308	125
CXSW □ 20-100	100	210	358	150
Long Stroke (-XB11) CXSW □ 20-125	125	235	408	175
CXSW □ 20-150	150	260	458	200
CXSW □ 20-175	175	285	508	225
CXSW □ 20-200	200	310	558	250

Cutting away the part of sensor switch channel, for mounting the sensor switch of CXSW □ 20-10



### New Type Cylinder With Guide Rod

( $\phi 12 - \phi 100$ )



MGPM, MGPL Dimension ( $\phi 12 - \phi 25$ )

Bore (mm)	Stander Stroke	B	C	DA	FA	FB	G	GA	GB	H	HA	J	K	L	MM	ML	NN	OA	OB	OL	P	PA	PB	PW	Q
12	10, 20, 30, 40, 50, 75, 100	42	29	6	8	8	5	26	11	58	M4	13	13	18	M4×0.7	10	M4×0.7	4.3	8	4.5	M5×0.8	13	8	18	14
16		46	33	8	8	8	5	30	11	64	M4	15	15	22	M5×0.8	12	M5×0.8	4.3	8	4.5	M5×0.8	15	10	19	16
20	20, 30, 40, 50, 75, 100	53	37	10	10	10	6	36	10.5	83	M5	18	18	24	M5×0.8	13	M5×0.8	5.6	9.5	5.5	Rc <sup>1/8</sup>	12.5	10.5	25	18
25	125, 150, 175, 200	53.5	37.5	12	10	10	6	42	11.5	93	M5	21	21	30	M6×1.0	15	M6×1.0	5.6	9.5	5.5	Rc <sup>1/8</sup>	12.5	13.5	28.5	26

Bore (mm)	Stander Stroke	R	S	T	U	VA	VB	WA			WB			X	XA	XB	XC	XL	YY	YL	Z
								≤30st	40st-100st	≥125st	≤30st	40st-100st	≥125st								
12	10, 20, 30, 40, 50, 75, 100	48	22	56	41	50	37	20	40	-	15	25	-	23	3	3.5	3	6	M5×0.8	10	5
16		54	25	62	46	56	38	24	44	-	17	27	-	24	3	3.5	3	6	M5×0.8	10	5
20	20, 30, 40, 50, 75, 100	70	30	81	54	72	44	24	44	120	29	39	77	28	3	3.5	3	6	M6×1.0	12	17
25	125, 150, 175, 200	78	38	91	64	82	50	24	44	120	29	39	77	34	4	4.5	3	6	M6×1.0	12	17

MGPM (Sliding bearing)

Bore (mm)	A			DB	E		
	50st≥	50st<100st≥	100st<		50st≥	50st<100st≥	100st<
12	42	42	85	8	42	42	85
16	46	46	95	10	46	46	95

MGPL (Ball guide bearing)

Bore (mm)	A			DB	E		
	30st≥	30st<100st≥	100st<		30st≥	30st<100st≥	100st<
12	43	55	85	6	1	13	43
16	49	65	95	8	3	19	49

MGPM (Sliding bearing)

Bore (mm)	A			DB	E		
	50st≥	50st<200st≥	200st<		50st≥	50st<200st≥	200st<
20	53	84.5	122	16	0	31.5	69
25	53.5	85	122	20	0	31.5	68.5

MGPL (Ball guide bearing)

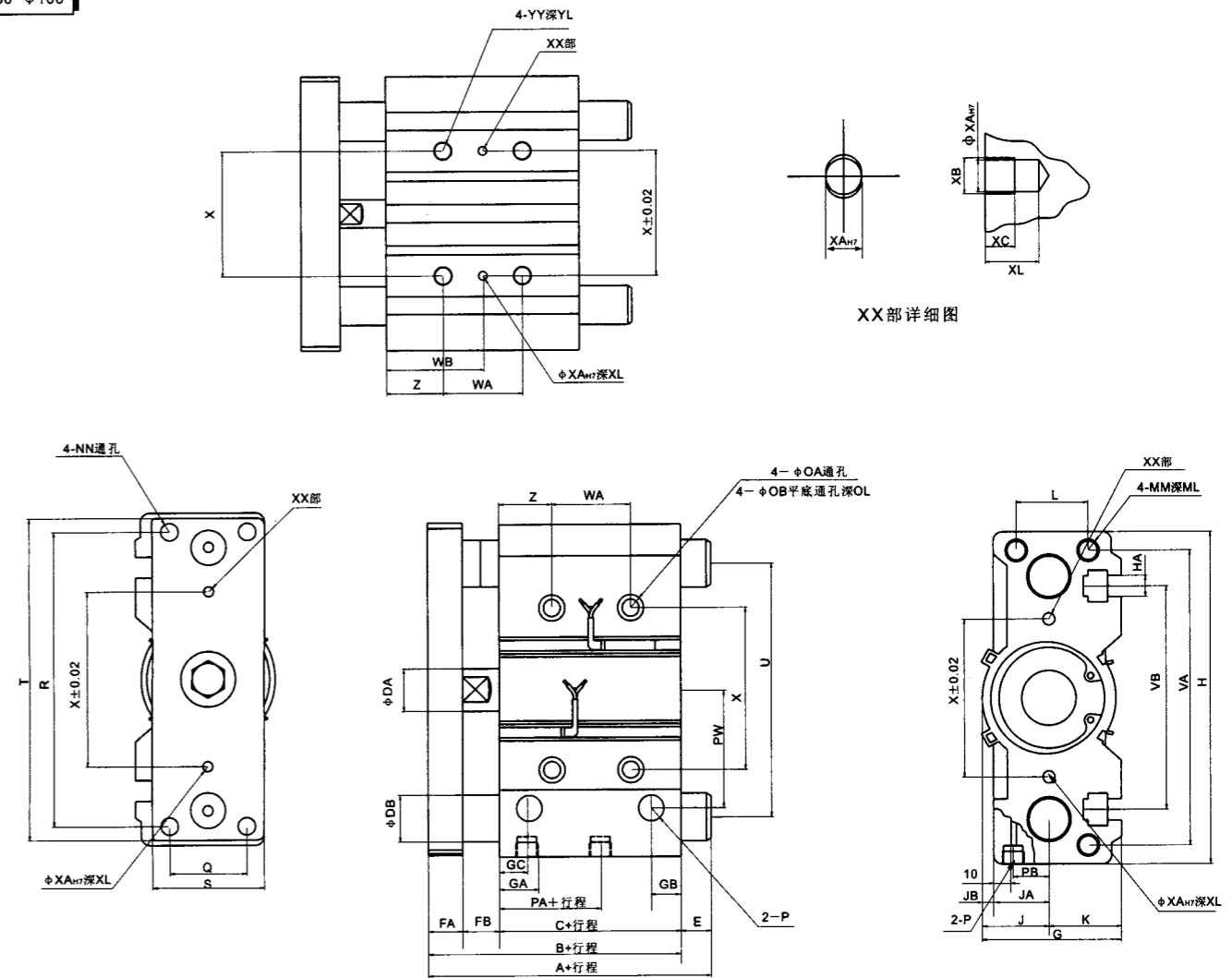
Bore (mm)	A				DB	E			
	30st≥	30st<100st≥	50st<200st≥	200st<		30st≥	30st<100st≥	50st<200st≥	200st<
20	63	80	104	122	10	10	27	51	69
25	69.5	80.5	104.5	122	13	16	32	51	68.5

### New Type Cylinder With Guide Rod

( $\phi 12 - \phi 100$ )

Figure Dimension (mm)

$\phi 80 - \phi 100$



MGPM, MGPL Dimension

Bore (mm)	Stander Stroke	B	C	DA	FA	FB	G	GA	GB	H	HA	J	JA	JB	K	L	MM	ML	NN	OA	OB	OL	P	PA	PB	PW
80	25, 50, 75, 100	96.5	56.5	25	22	18	91.5	19	15.5	202	M12	45.5	38	7.5	46	54	M12×1.75	30	M12×1.75	10.6	17.5	8	Rc <sup>3/8</sup>	14.5	25.5	74
100	125, 150, 175, 200	116	66	30	25	25	111.5	23	19	240	M14	55.5	45	10.5	56	62	M14×2.0	32	M14×2.0	12.5	20	8	Rc <sup>3/8</sup>	17.5	32.5	89

Bore (mm)	Stander Stroke	R	S	T	U	VA	VB	WA			WB			X	XA	XB	XC	XL	YY	YL	Z
								25st	50, 75, 100st	100st	25st	50, 75, 100st	100st								
80	25, 50, 75, 100	52	174	75	198	156	140	28	52	128	42	54	92	100	6	7	5	10	M12×1.75	24	28
100	125, 150, 175, 200	64	210	90	236	188	166	48	72	148	35	47	85	124	6	7	5	10	M14×2.0	28	11

MGPM (Sliding bearing)

Bore (mm)	A			DB	E		
	50st≥	50st<200st≥	200st<		50st≥	50st<200st≥	200st<
80	115	142	193	30	18.5	45.5	96.5
100	137	162	203	36	21	46	87

MGPL (Ball guide bearing)

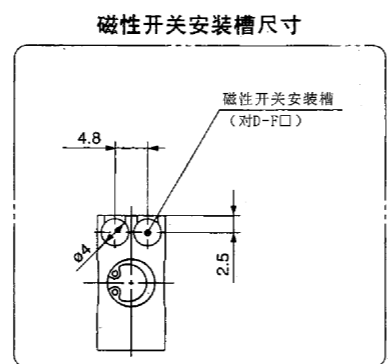
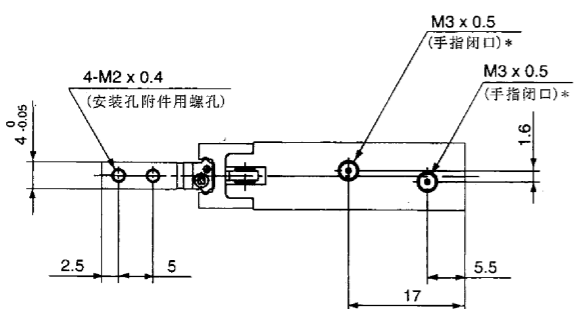
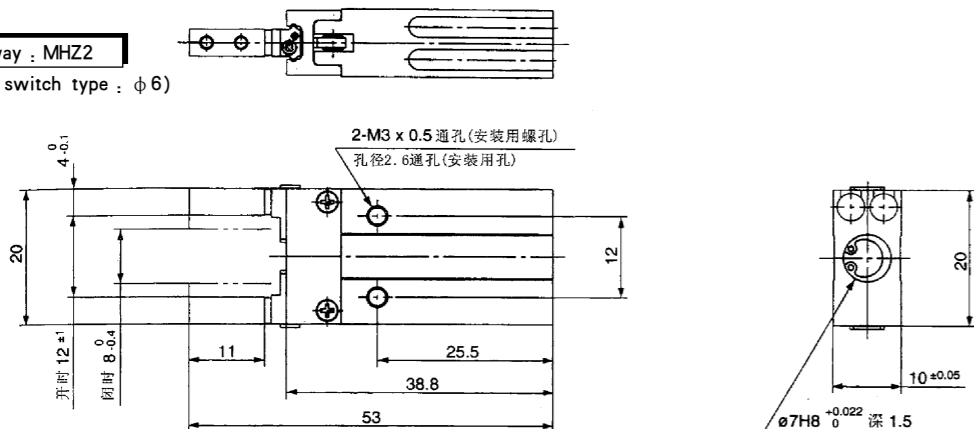
Bore (mm)	A				DB	E			
	25st≥	25st<50st≥	50st<200st≥	200st<		25st≥	25st<50st≥	50st<200st≥	200st<
80	109.5	130	160	193	25	13	33.5	63.5	96.5
100	121	147	180	203	30	5	31	64	87



Pneumatic gripper

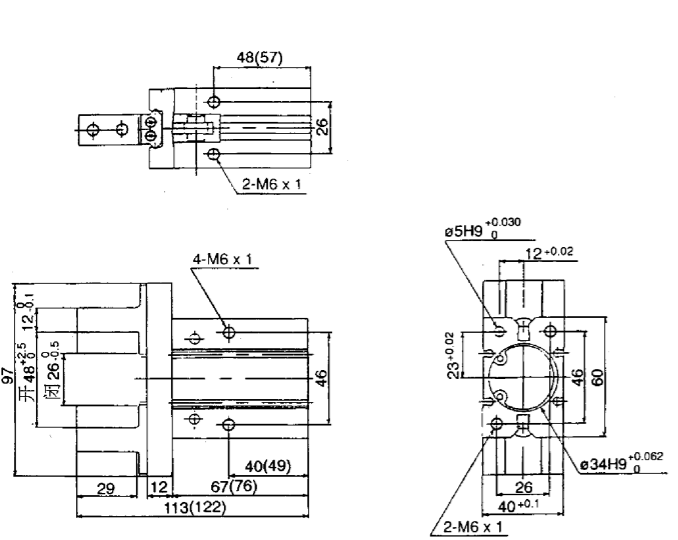
Figure Dimension (mm)

Small way : MHZ2  
(Parallel switch type : φ6)

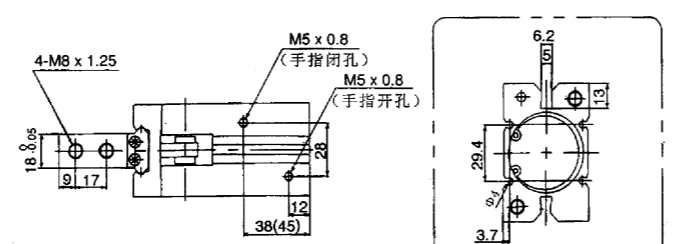
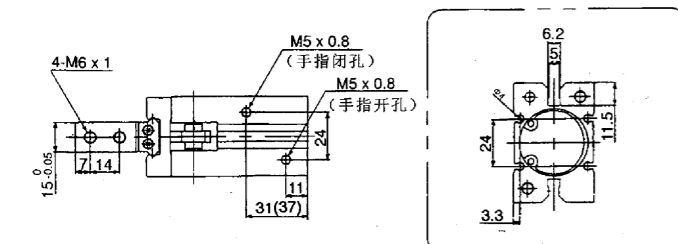
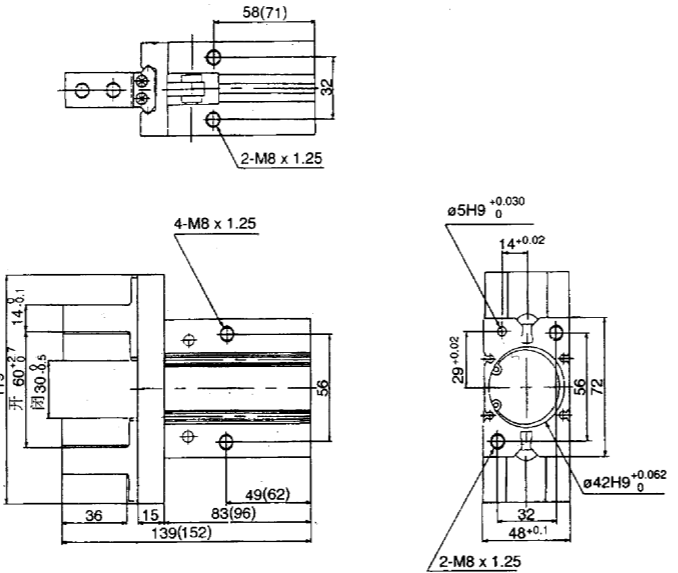


\*单作用の場合、一侧接口变成呼吸孔。

Standard : MHZ2 (Parallel switch type : φ32)



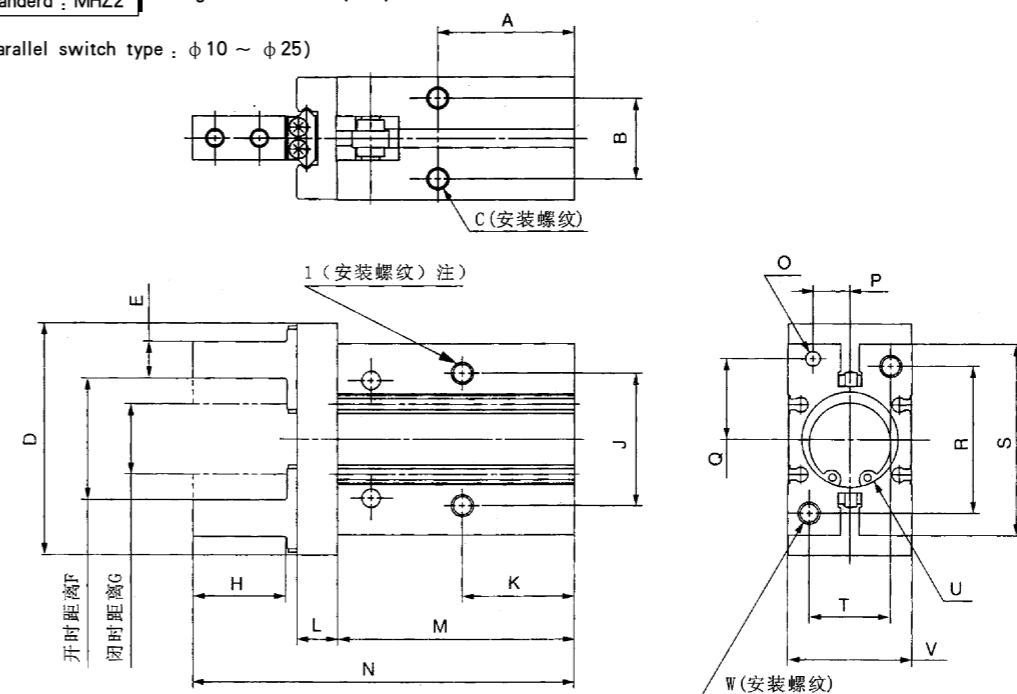
Standard : MHZ2 (Parallel switch type : φ40)



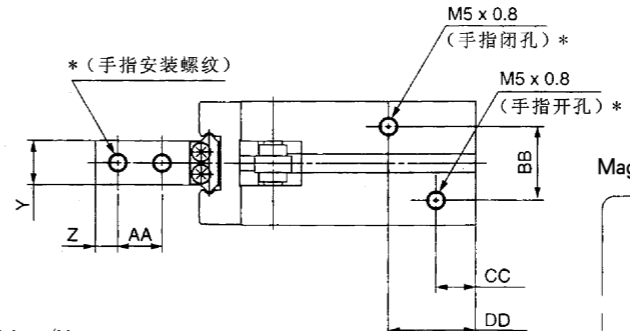
Pneumatic gripper

Standard : MHZ2 Figure Dimension (mm)

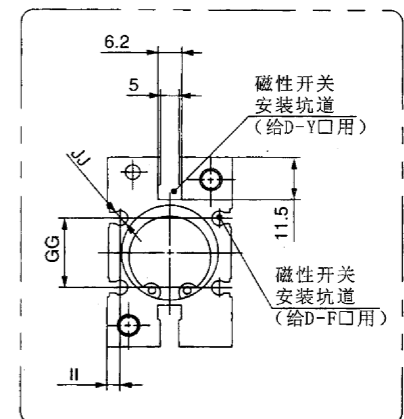
(Parallel switch type : φ10 ~ φ25)



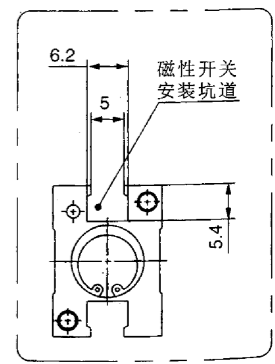
\*Single acting one port is for output



Magnet switch mounting size



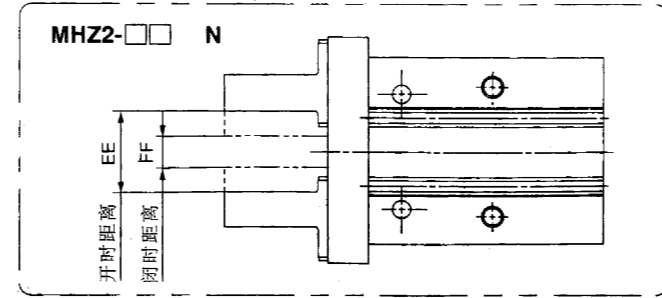
Bore size diagram



Note) About D-Y59 or D-Y69 Magnet switch, through hole can't be allowed

Note) About D-Y59 or D-Y69 Magnet switch, through hole can't be allowed

Finger position/Narrow



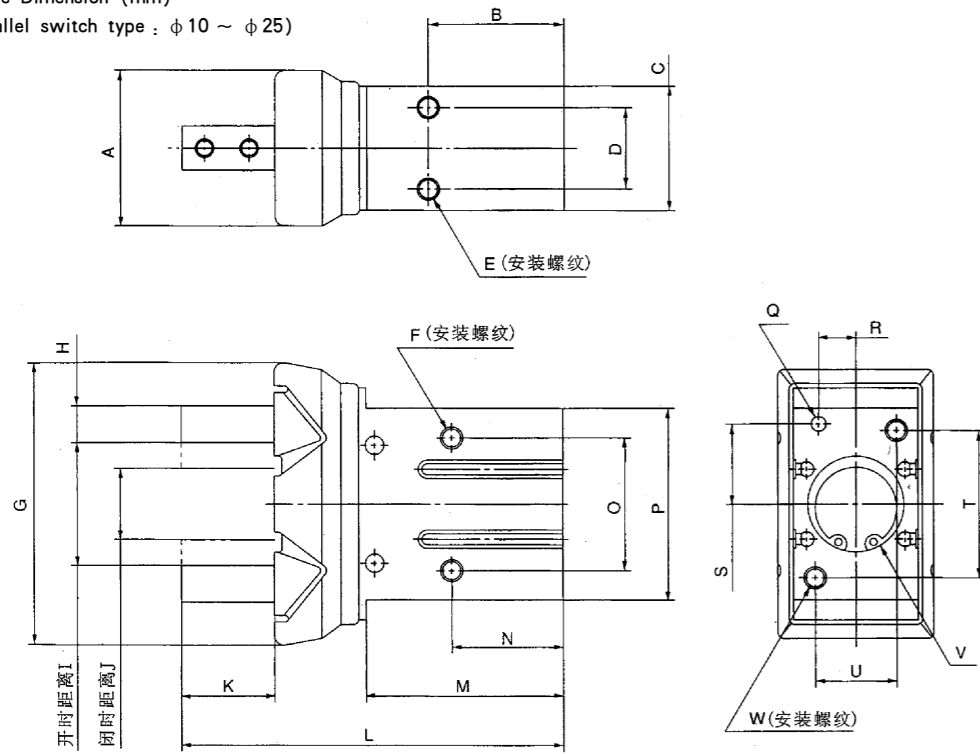
Type(mm)	A	B	C	D	E	F	G	H	I	J	K	L	M	N	O	P	Q	R	S	T	O
10	27	11.4	M3×0.5 Depth6	29	4 <sub>-0.1</sub> <sup>0</sup>	15.2 <sub>0</sub> <sup>+2.2</sup>	11.2 <sub>-0.7</sub> <sup>0</sup>	12	M3×0.5 Depth5.5	16	23	6	37.8	57	φ2H9 <sub>0</sub> <sup>+0.025</sup> Depth3	5.2±0.02	7.6±0.02	18	23	12	φ11H9 <sub>0</sub> <sup>+0.043</sup> Depth2
16	30	16	M4×0.7 Depth4.5	38	5 <sub>-0.1</sub> <sup>0</sup>	20.9 <sub>-0.2</sub> <sup>+2.2</sup>	14.9 <sub>-0.7</sub> <sup>0</sup>	15	M4×0.7 Depth8	24	24.5	7.5	42.5	67.3	φ3H9 <sub>0</sub> <sup>+0.025</sup> Depth3	6.5±0.02	11±0.02	22	30.6	15	φ17H9 <sub>0</sub> <sup>+0.043</sup> Depth2
20	35	18.6	M5×0.8 Depth8	50	8 <sub>-0.1</sub> <sup>0</sup>	26.3 <sub>-0.2</sub> <sup>+2.2</sup>	16.3 <sub>-0.7</sub> <sup>0</sup>	20	M5×0.8 Depth10	30	29	9.5	52.8	84.8	φ4H9 <sub>0</sub> <sup>+0.030</sup> Depth4	7.5±0.02	16.8±0.02	32	42	18	φ21H9 <sub>0</sub> <sup>+0.052</sup> Depth3
25	36.5	22	M6×1 Depth10	63	10 <sub>-0.1</sub> <sup>0</sup>	33.3 <sub>-0.2</sub> <sup>+2.5</sup>	19.3 <sub>-0.8</sub> <sup>0</sup>	25	M6×1 Depth12	36	30	11	63.6	102.7	φ4H9 <sub>0</sub> <sup>+0.030</sup> Depth4	10±0.02	21.8±0.02	40	52	22	φ26H9 <sub>0</sub> <sup>+0.052</sup> Depth3.5

Type(mm)	V	W	X	Y	Z	AA	BB	CC	DD	EE	FF	GG	HH	II	JJ
10	16.4±0.05	M3×0.5 Depth6	M2×0.45	5 <sub>-0.05</sub> <sup>0</sup>	3	5.7	11	9	19	9.7 <sub>0</sub> <sup>+2.2</sup>	5.7 <sub>0</sub> <sup>-0.4</sup>	-	5.4	-	-
16	23.6±0.05	M4×0.7 Depth8	M3×0.5	8 <sub>-0.05</sub> <sup>0</sup>	4	7	13	7.5	19	12.6 <sub>0</sub> <sup>+2.2</sup>	6.6 <sub>0</sub> <sup>-0.4</sup>	11.6	5.8	2.1	φ4
20	27.6±0.05	M5×0.8 Depth10	M4×0.7	10 <sub>-0.05</sub> <sup>0</sup>	5	9	15	10	23	17.2 <sub>0</sub> <sup>+2.2</sup>	7.2 <sub>0</sub> <sup>-0.4</sup>	14	9	2.1	φ4
25	33.6±0.05	M6×1 Depth12	M5×0.8	12 <sub>-0.05</sub> <sup>0</sup>	6	12	20	10.7	23.5	22.8 <sub>0</sub> <sup>+2.5</sup>	8.8 <sub>0</sub> <sup>-0.4</sup>	19	11.5	3.5	φ4

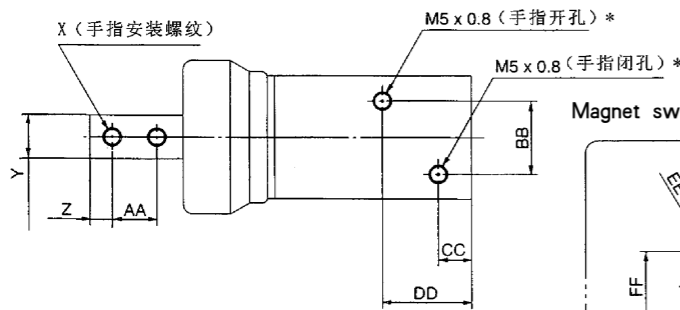
Pneumatic gripper

Dust proof type : MHZJ2

Figure Dimension (mm)  
(Parallel switch type :  $\phi 10 \sim \phi 25$ )

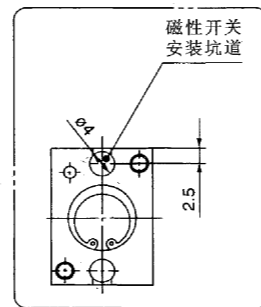
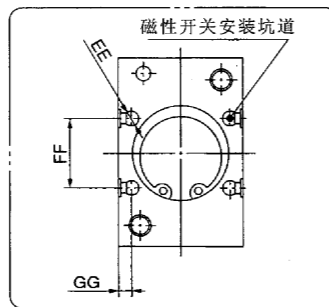


\*Single acting one port is for output



Magnet switch mounting size

Bore size diagraph



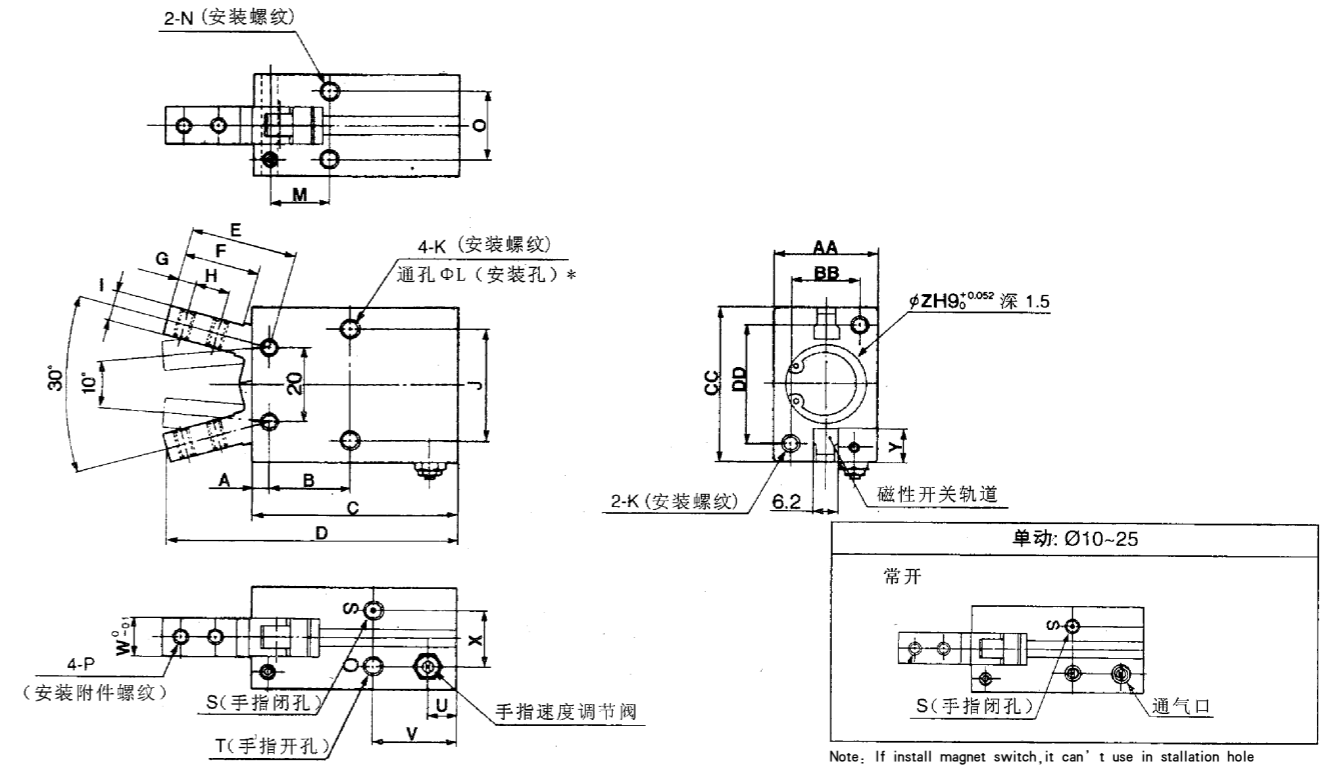
Note) About D-Y59 or D-Y69 if install the magnet, the through hole installation can't be allowed.

Type(mm)	A	B	C	D	E	F	G	H	I	J	K	L	M	N	O	P	Q	R	S	T	U
10	21	27	16.4±0.05	11.4	M3×0.5 Depth6	M3×0.5 Depth5.5	34	4 <sup>0</sup> <sub>-0.1</sub>	15.2 <sup>+2.2</sup> <sub>0</sub>	11.2 <sup>0</sup> <sub>-0.7</sub>	12	57	31	23	16	23	$\phi 2H9_0^{+0.025}$ 深3	5.2±0.02	7.6±0.02	18	12
16	29.6	30	23.6±0.05	16	M4×0.7 Depth4.5	M4×0.7 Depth8	45	5 <sup>0</sup> <sub>-0.1</sub>	20.9 <sup>+2.2</sup> <sub>-0.2</sub>	14.9 <sup>0</sup> <sub>-0.7</sub>	15	67.3	34.8	24.5	24	30.6	$\phi 3H9_0^{+0.025}$ 深3	6.5±0.02	11±0.02	22	15
20	34.6	35	27.6±0.05	18.6	M5×0.8 Depth8	M5×0.8 Depth10	58	8 <sup>0</sup> <sub>-0.1</sub>	26.3 <sup>+2.2</sup> <sub>-0.2</sub>	16.3 <sup>0</sup> <sub>-0.7</sub>	20	84.8	43.5	29	30	42	$\phi 4H9_0^{+0.030}$ 深4	7.5±0.02	16.8±0.02	32	18
25	42	36.5	33.6±0.05	22	M6×1 Depth10	M6×1 Depth12	73	10 <sup>0</sup> <sub>-0.1</sub>	33.3 <sup>+2.5</sup> <sub>0.2</sub>	19.3 <sup>0</sup> <sub>-0.8</sub>	25	102.7	53	30	36	52	$\phi 4H9_0^{+0.030}$ 深4	10±0.02	21.8±0.02	40	22

Type(mm)	V	W	X	Y	Z	AA	BB	CC	DD	EE	FF	GG	HH	II	JJ
10	16.4±0.05	M3×0.5 Depth6	M2×0.45	5 <sup>0</sup> <sub>-0.05</sub>	3	5.7	11	9	19	9.7 <sup>+2.2</sup> <sub>0</sub>	5.7 <sup>0</sup> <sub>-0.4</sub>	-	5.4	-	-
16	23.6±0.05	M4×0.7 Depth8	M3×0.5	8 <sup>0</sup> <sub>-0.05</sub>	4	7	13	7.5	19	12.6 <sup>+2.2</sup> <sub>0</sub>	6.6 <sup>0</sup> <sub>-0.4</sub>	11.6	5.8	2.1	$\phi 4$
20	27.6±0.05	M5×0.8 Depth10	M4×0.7	10 <sup>0</sup> <sub>-0.05</sub>	5	9	15	10	23	17.2 <sup>+2.2</sup> <sub>0</sub>	7.2 <sup>0</sup> <sub>-0.4</sub>	14	9	2.1	$\phi 4$
25	33.6±0.05	M6×1 Depth12	M5×0.8	12 <sup>0</sup> <sub>-0.05</sub>	6	12	20	10.7	23.5	22.8 <sup>+2.5</sup> <sub>0</sub>	8.8 <sup>0</sup> <sub>-0.4</sub>	19	11.5	3.5	$\phi 4$

Pneumatic gripper

Proof open close type : MHC2 ( $\phi 10 \sim \phi 25$ ) Figure Dimension (mm)

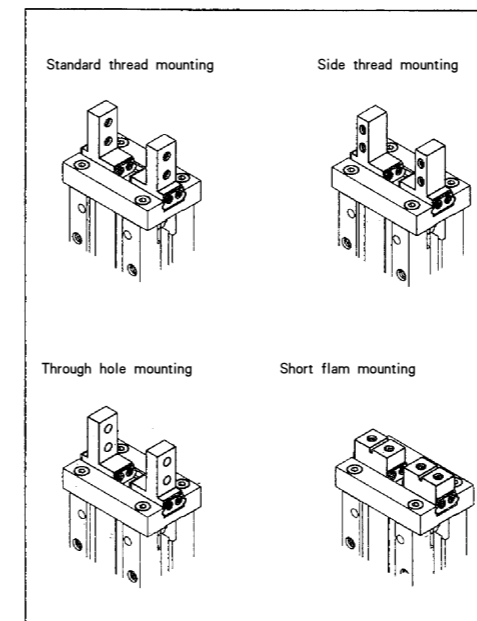


Note: If install magnet switch, it can't use in stallation hole

Bore (mm)	A	B	C	D	E	F	G	H	I	J	K	$\phi L$	M	N	O	P	Q	R	Pipe S / T	U	V	W	X	Y	$\phi Z$	AA	BB	CC	DD
10	2.8	12.8	38.6	52.4	17.2	12	3	5.7	4	16	M3×0.5 深5	2.6	8.8	M3×0.5 深6	11.4	M2.5×0.45	3	5.7	M3×0.5	7.2	18.8	6.4	10.4	5.4	11	16.4	12	23	18
16	3.9	16.2	44.6	62.5	22.6	16	4	7	7	24	M4×0.7 深8	3.4	10.7	M4×0.7 深8	16	M3×0.5	4	7	M5×0.8	7	18.3	8	13	5.8	17	23.6	15	30.6	22
20	4.5	21.7	55.2	78.7	28	20	5.2	9	8	30	M5×0.8 深10	4.3	15.7	M5×0.8 深8	18.6	M4×0.7	5	9	M5×0.8	7.5	22.2	10	15	9	21	27.6	18	42	32
25	4.6	25.8	60.2	92	37.5	27	8	12	10	36	M6×1 深12	5.1	19.3	M6 深10	22	M5×0.8	6	12	M5×0.8	7	23.5	12	20	11.5	26	33.6	22	52	40

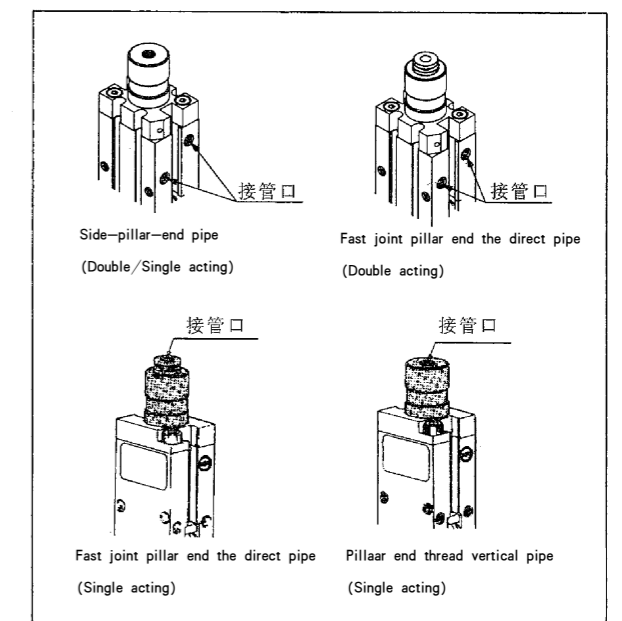
Other gripper and tube connecting pattern

\* Finger type



Note: it only use the standard thread in stallation for flulcrum switch type.

\*\* Tube connecting way



### Broad air gripper (Parallel switch type)



- \* Long finger stroke, suitable for large objects
- \* Double piston design can increase the maintain power
- \* Using tooth rod operation make finger open mean while close
- \* Using special seal, good dust-proof

#### Ordering Code

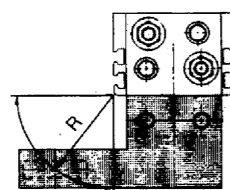
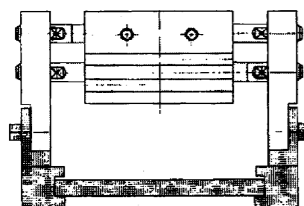
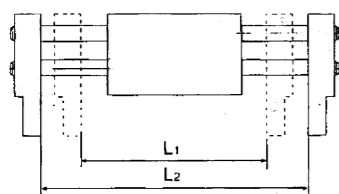
Parallel switch type : MHL2-16 D 10

Bore  
 10-φ10mm  
 16-φ16mm  
 20-φ20mm  
 25-φ25mm  
 32-φ32mm  
 40-φ40mm

Finger Open/Close Stroke

记号	φ10	φ16	φ20	φ25	φ32	φ40
有记号	20	30	40	50	70	100
1	40	60	80	100	120	160
2	60	80	100	120	160	200

#### Stroke/Weight List



The distance of maintain power(mm)

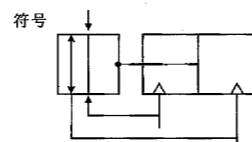
#### Specification

Bore (mm)	10	16	20	25	32	40
Medium	Air					
Action	Double acting					
Max Operating pressure Mpa	0.6{6.1}					
Min Operating pressure Mpa	0.1{1.0}					
Environment temperature	-10 ~ 60°C (No Freeze)					
Repeat precision(mm)	±0.1mm					
1) RetentivityN{Kgf}	14{1.4}	45{4.6}	74{7.5}	131{13.4}	228{23.4}	396{40.4}
Pipe Size	M5×0.8			Rc(PT)1/8		

Note 1) 0.5MPa{5.1kgf/cm<sup>2</sup>} pressure, and the distance of maintain 40mm(φ10 ~ φ25) 80mm(φ32/φ40)

#### Ordering Code

- Bore : φ16, Stroke 30mm  
Code : MHL2-16D
- Bore : φ25, Stroke 120mm  
Code : MHL2-25D2



#### Stroke/Magnet switch(For choose)

Bore (mm)	Channel Mounting
10	
16	D-Y59AL
20	D-Y59BL
25	D-Y69AL
32	D-Y69BL
40	

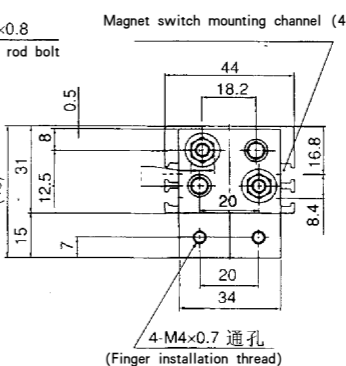
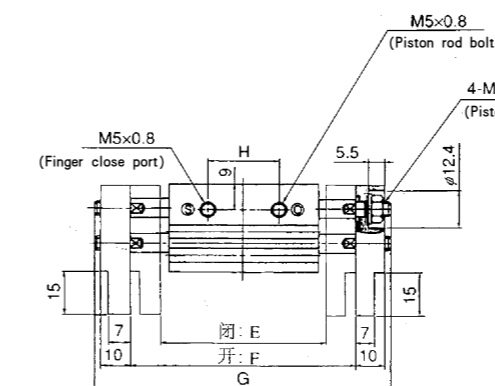
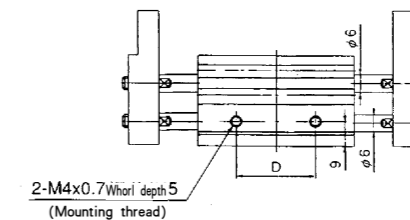
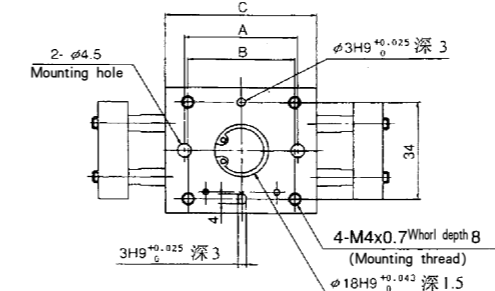
\*Magnet switch specification refer to magnet switch series.

Type	Bore (mm)	Highest operating frequency c.p.m	Open/Close Stroke mm(L2-L1)	Width(close) mm(L1)	Width(open) mm(L2)	Weight g
MHL2-10D	10	60	20	56	76	280
MHL2-10D1		40	40	78	118	345
MHL2-10D2		40	60	96	156	425
MHL2-16D	16	60	30	68	98	585
MHL2-16D1		40	60	110	170	795
MHL2-16D2		40	80	130	210	935
MHL2-20D	20	60	40	82	122	1025
MHL2-20D1		40	80	142	222	1495
MHL2-20D2		40	100	162	262	1690
MHL2-25D	25	60	50	100	150	1690
MHL2-25D1		40	100	182	282	2560
MHL2-25D2		40	120	200	320	2775
MHL2-32D	32	30	70	150	220	2905
MHL2-32D1		20	120	198	318	3820
MHL2-32D2		20	160	242	402	4655
MHL2-40D	40	30	100	188	288	5270
MHL2-40D1		20	160	246	406	6830
MHL2-40D2		20	200	286	486	7905

### Broad air gripper (Parallel switch type)

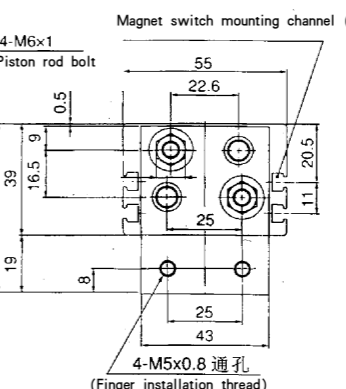
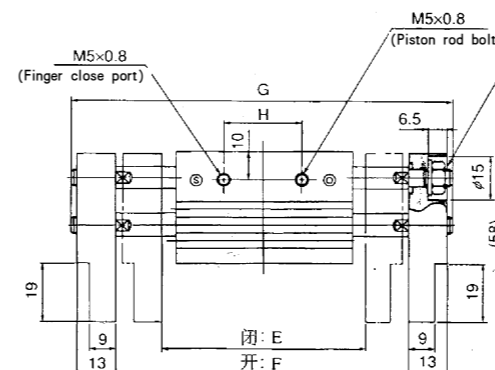
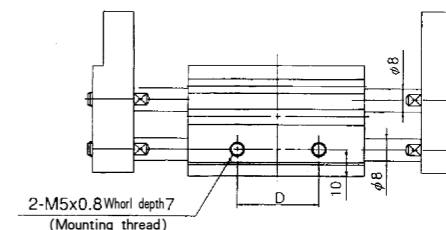
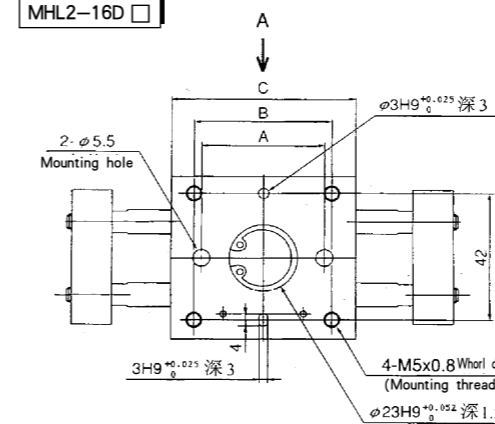
Figure Dimension (mm)

MHL2-10D □



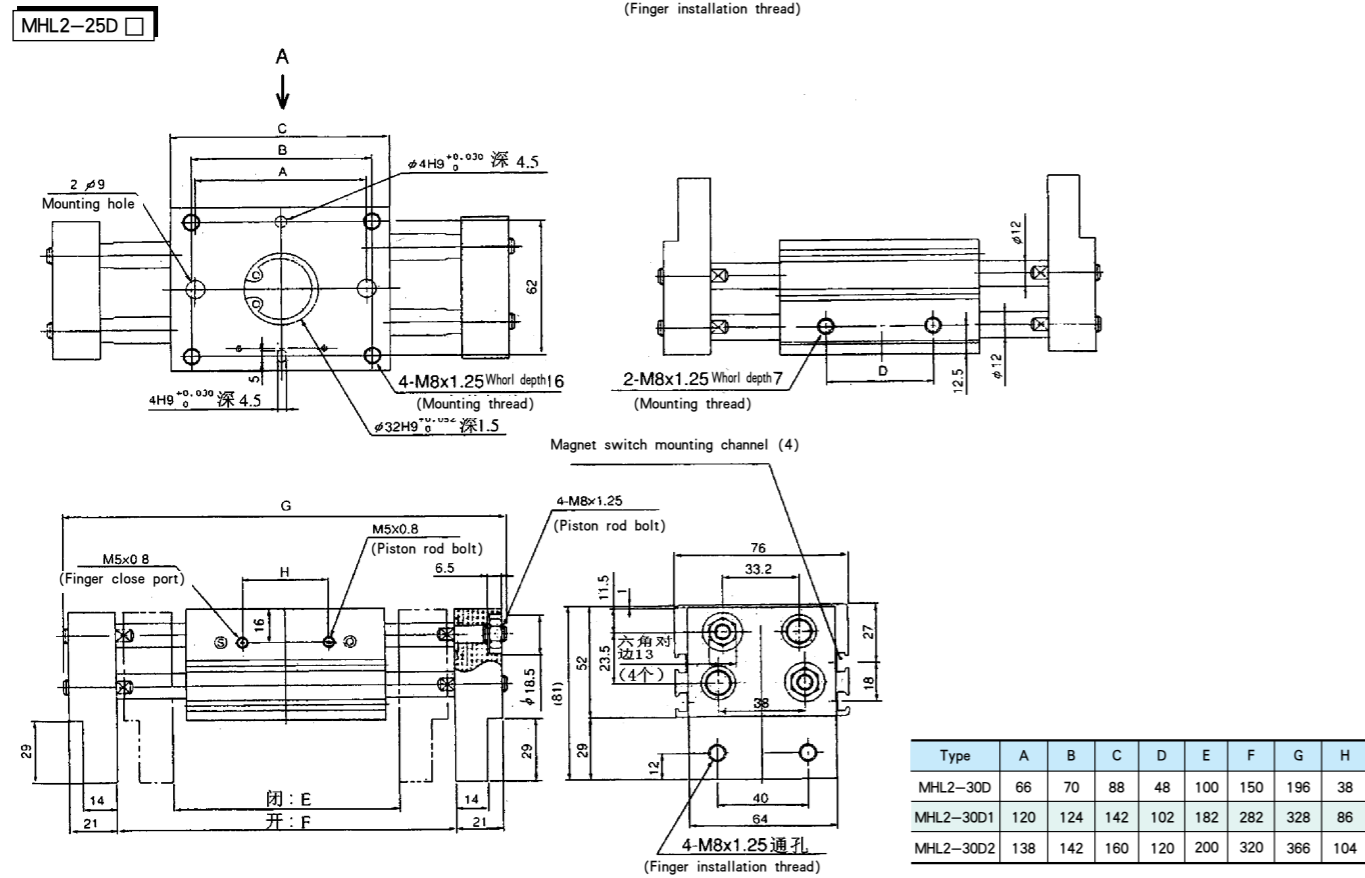
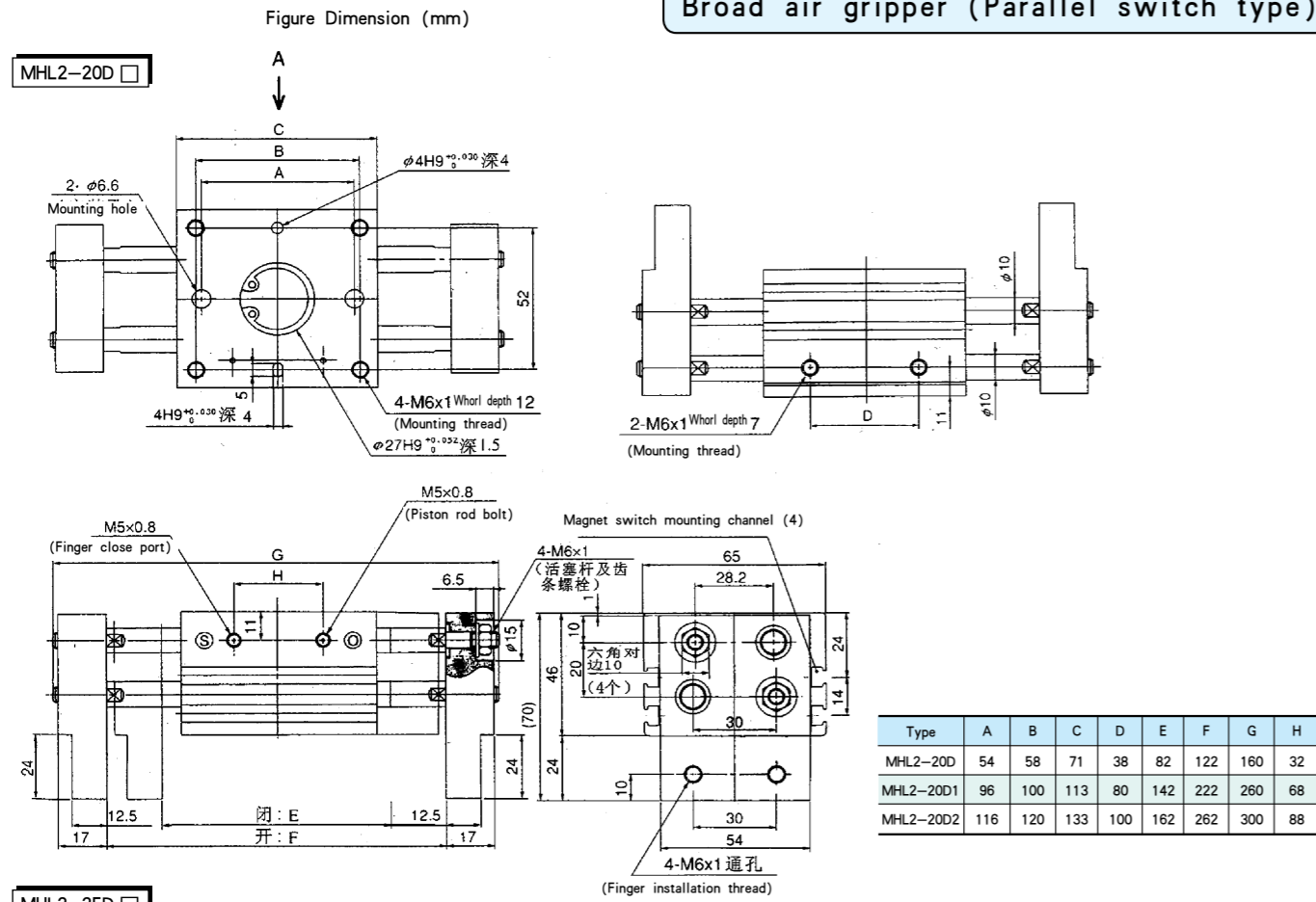
Type	A	B	C	D	E	F	G	H
MHL2-10D	38	36	51	26	56	76	100	24
MHL2-10D1	54	52	67	42	78	118	142	39
MHL2-10D2	72	70	85	60	96	156	180	57

MHL2-16D □

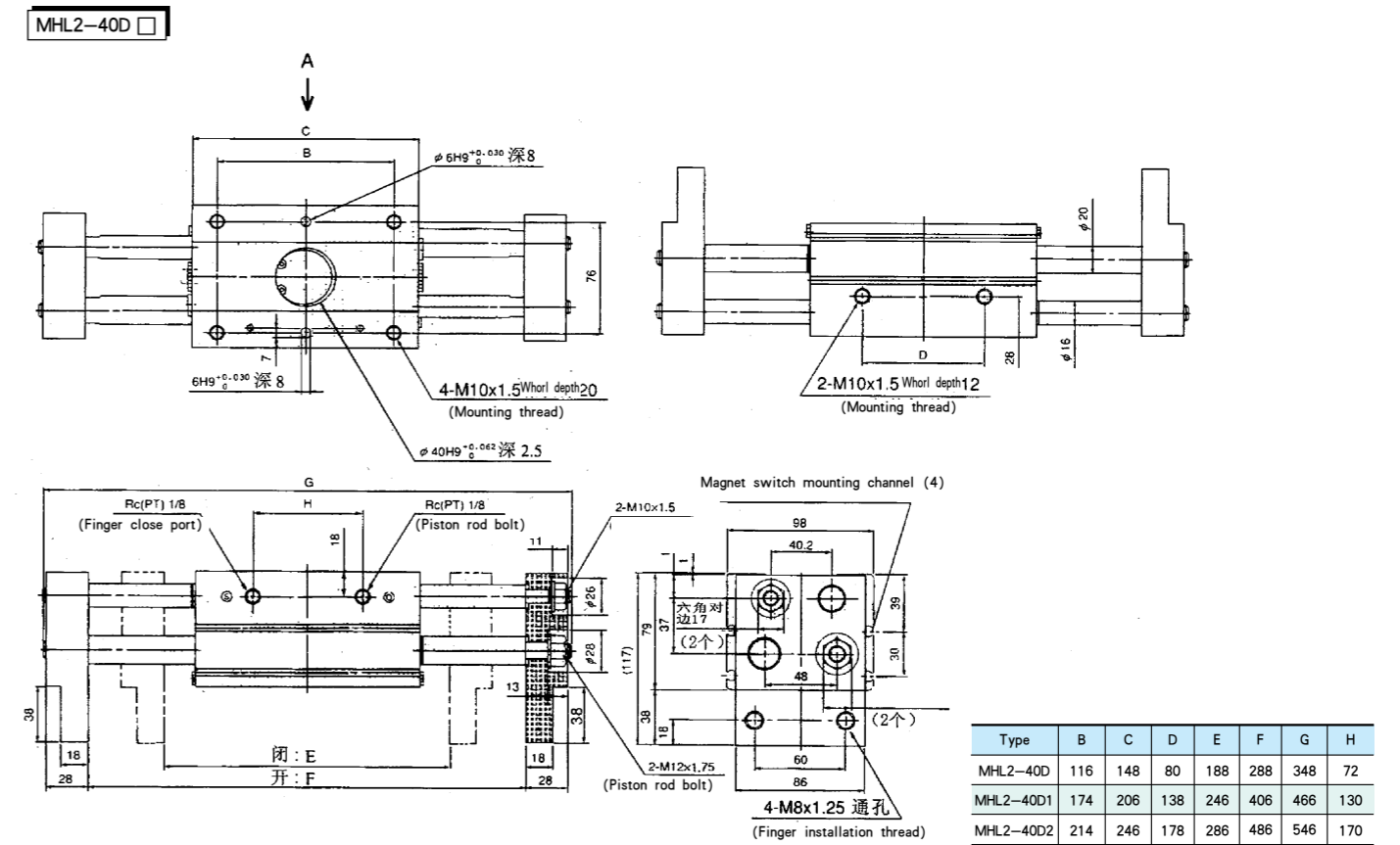
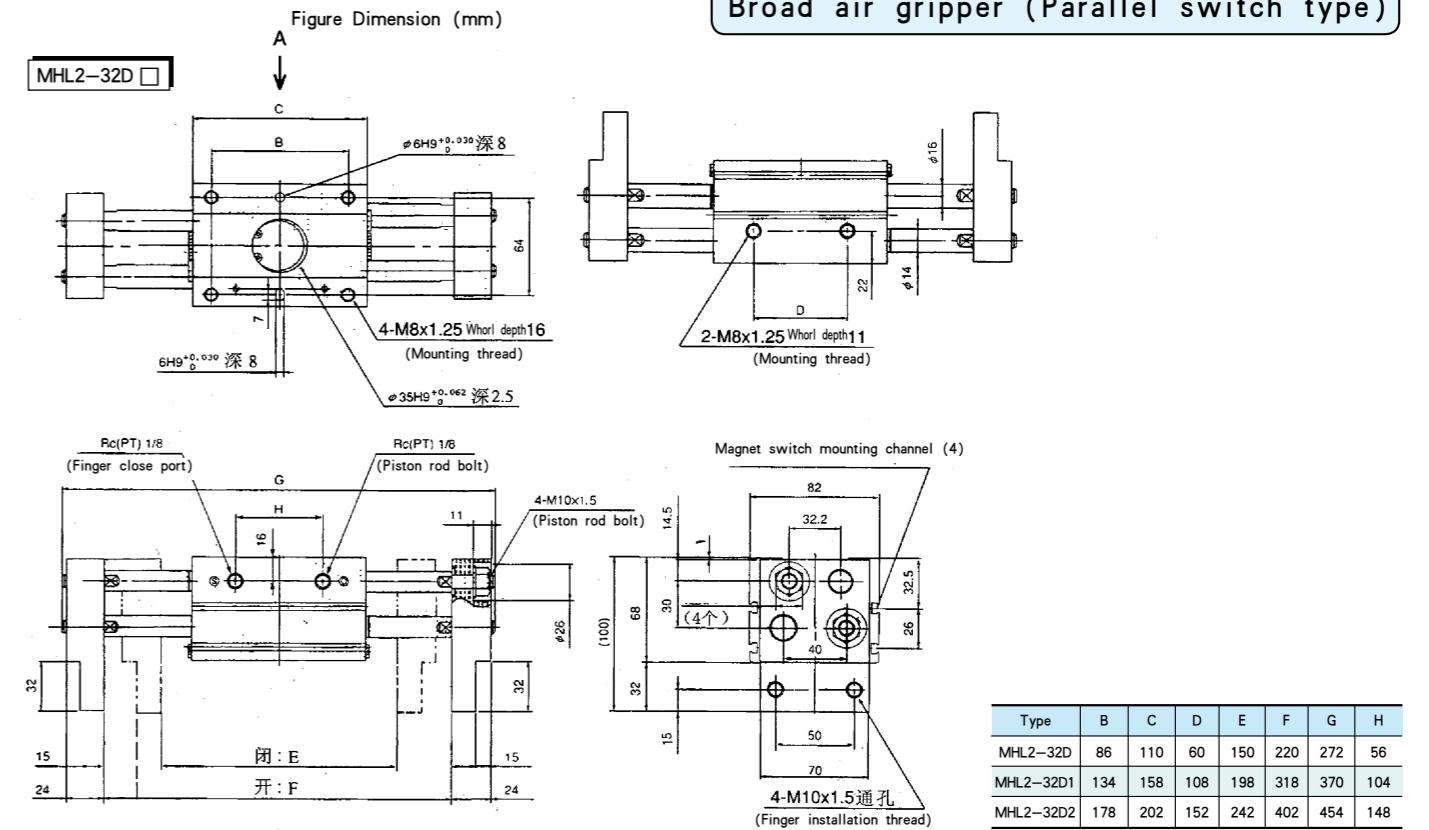


Type	A	B	C	D	E	F	G	H
MHL2-16D	40	45	60	28	68	98	128	26
MHL2-16D1	70	75	90	58	110	170	200	50
MHL2-16D2	90	95	110	78	130	210	240	70

### Broad air gripper (Parallel switch type)



### Broad air gripper (Parallel switch type)





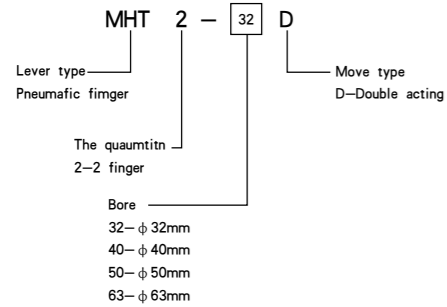
### Lever Pneumatic Tiger

φ 32 ~ φ 63



- \* Suit for using weighting work place
- \* The structure of hever, the finger keep working
- \* No matter lost the pressure suddenly

#### Ordering Code



#### Specification

Type	MHT2-32D	MHT2-40D	MHT2-50D	MHT2-63D
Bore(mm)	φ 32	φ 40	φ 50	φ 63
Action way	Double acting			
Medium	Air			
Pressure Range	0.1 ~ 0.6Mpa[1 ~ 6.1kgf/cm <sup>2</sup> ]			
Environment temperature	-10 ~ 60°C (No Freeze)			
1) Lubrication	No need			
Figer Range	-5° ~ 28°	-3° ~ 27°	-2° ~ 23°	-2° ~ 23°
Weight (kg)	0.80	1.09	1.93	0.80
RetentvityN.m[kgf/cm <sup>2</sup> ]	12.4[126]	36.0[367]	63.0[642]	12.4[126]

- 1) If Lubrication, please use ISOVG32
- 2) User 0.5MPa[5.1kgf/cm<sup>2</sup>]

#### Ordering Code

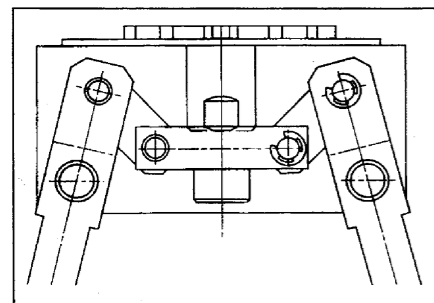
- 1) Retentvity : 30N · m  
Code : MHT2-40D
- 2) Retentvity : 100N · m  
Code : MHT2-63D

#### Stroke/Magnet switch (For choose)

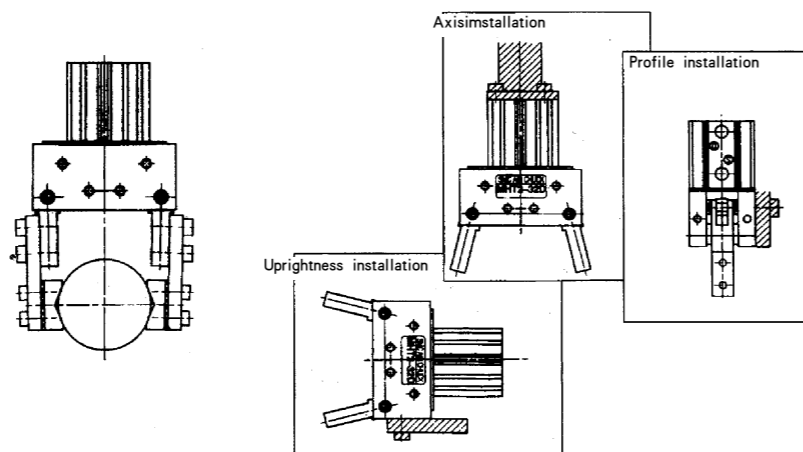
Bore (mm)	Channel Installation
32	D-A72L D-F79L
40	D-A73L D-J79L
50	D-A76L
63	D-A80L

#### Example

#### Lever Structure



#### Installation

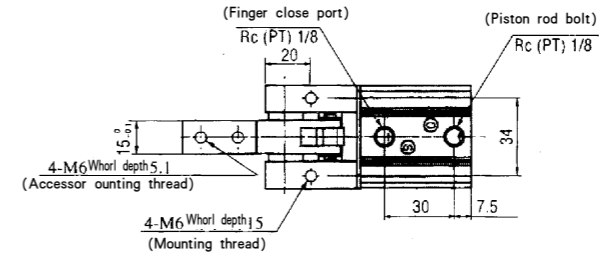
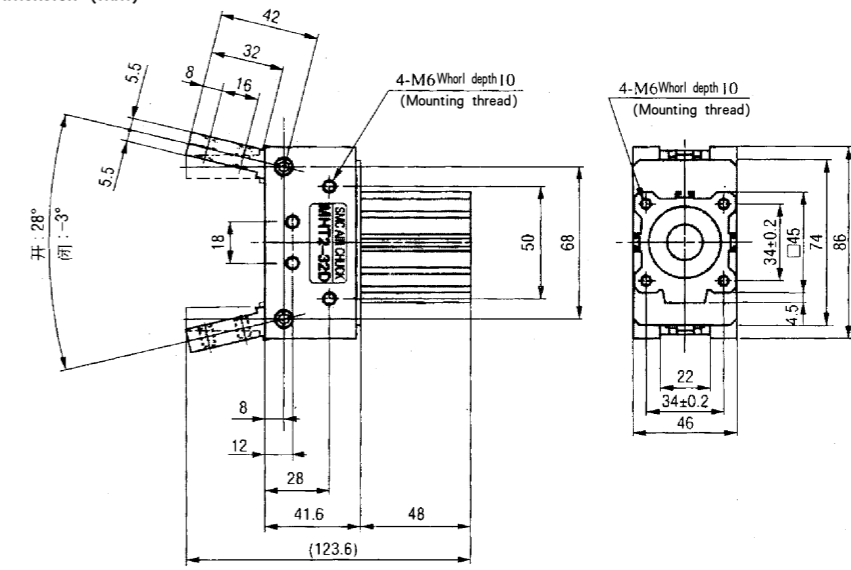


### Lever Pneumatic Tiger

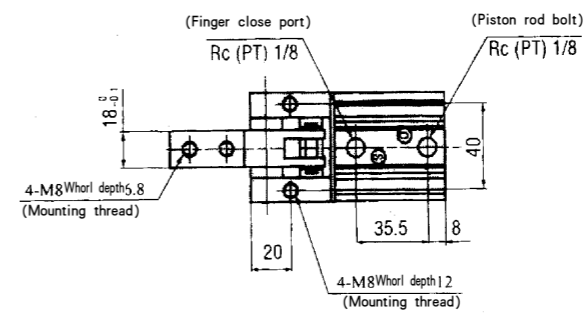
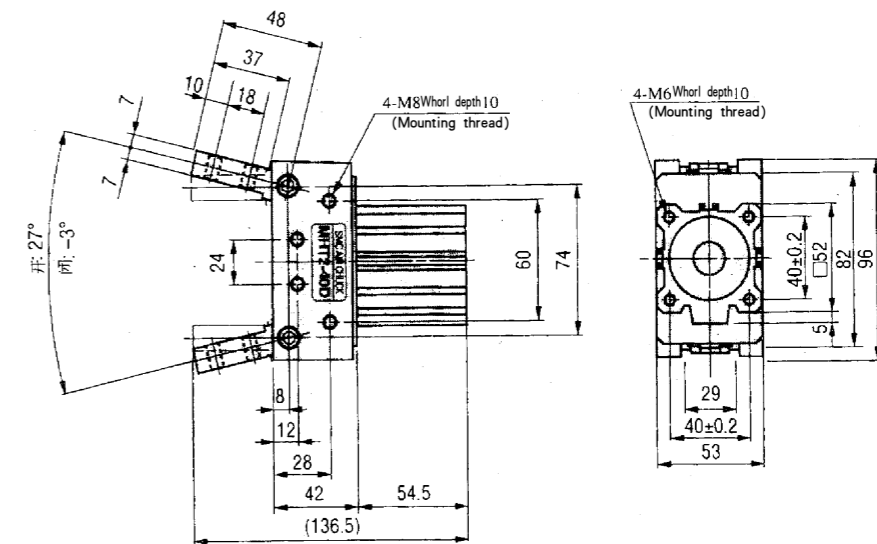
φ 32 ~ φ 63

#### MHT2-32D □

Figure Dimension (mm)



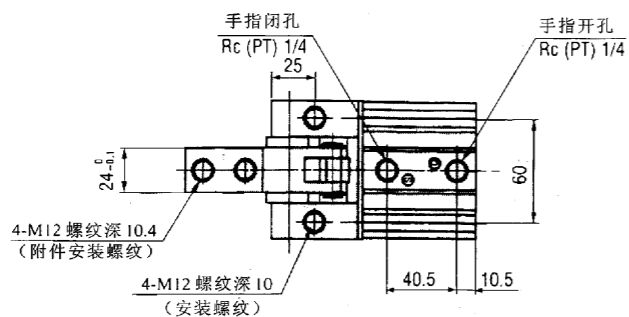
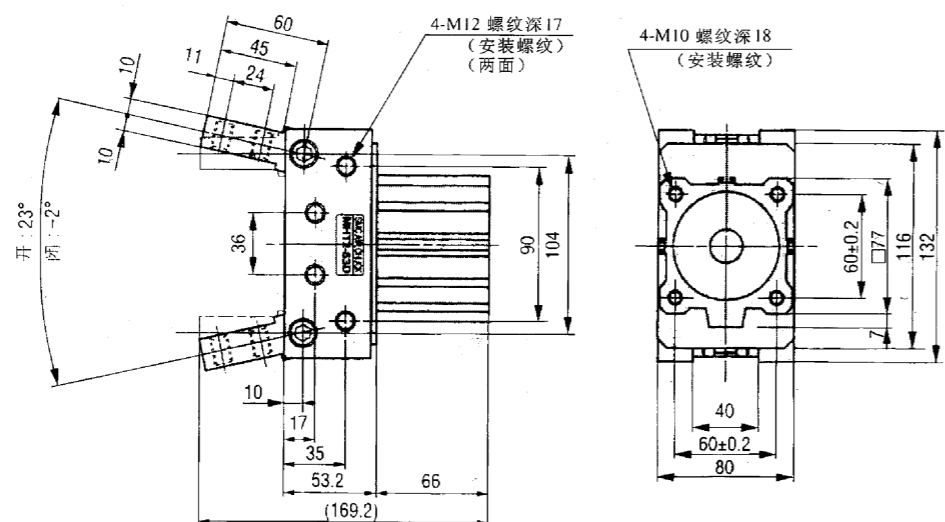
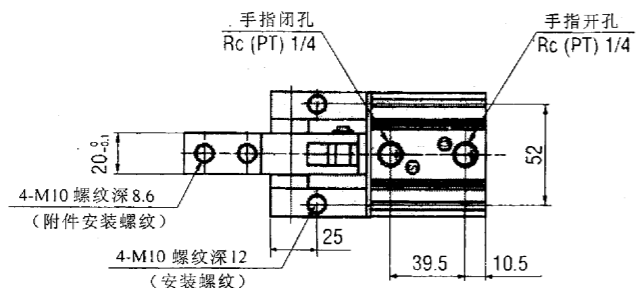
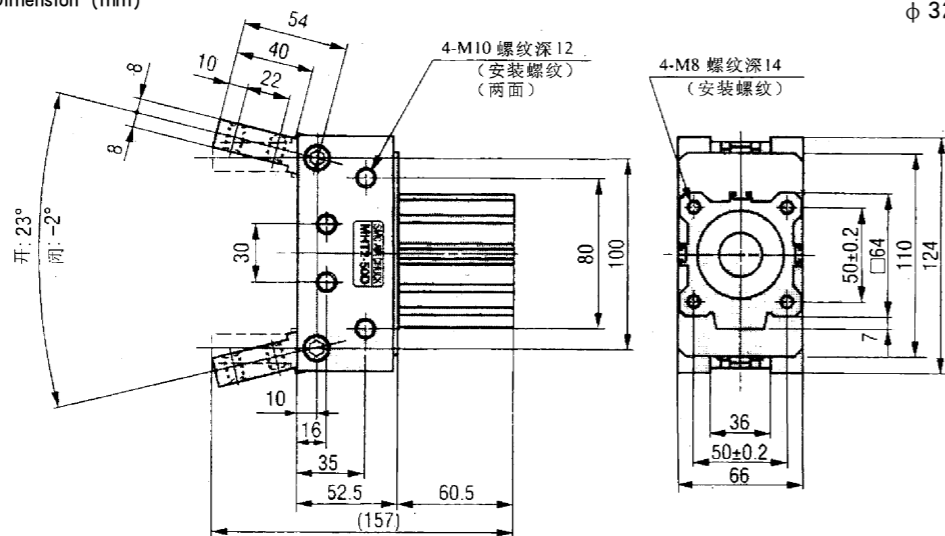
#### MHT2-40D □



### Lever Pneumatic Tiger

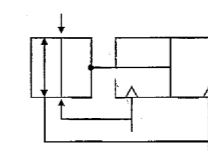
φ 32 ~ φ 63

Figure Dimension (mm)



### Open-close Pneumatic Finger

φ 10 ~ φ 25



#### Specification

Type	MHY2-10D	MHY2-16D	MHY2-20D	MHY2-25D
Medium	Air			
Action way	Double acting			
Max Operating pressure MPa/kgf/cm <sup>2</sup>	0.6/6.1			
Min Operating pressure MPa/kgf/cm <sup>2</sup>	0.1/1.0			
Environment temperature	-10 ~ 60°C (No Freeze)			
Highest operating frequency	60c.p.m			
Repeat precision	± 0.2mm			
1) Retentivity N.m/kgf/cm <sup>2</sup>	0.16/1.6	0.54/5.5	1.10/11.2	2.28/23.3
Weight (kg)	70	150	320	560
2) Lubrication	No need			
Pipe Size	M5×0.8			

1) User 0.5MPa/5.1kgf/cm<sup>2</sup>

2) If Lubrication, please use ISOVG32

#### Ordering Code

Magnetinside : MHY2 - 20 D

Bore  
 10-φ 10mm  
 16-φ 16mm  
 20-φ 20mm  
 25-φ 25mm

#### Ordering Code

1) Bore : φ 16mm

Code : MHY2-16D

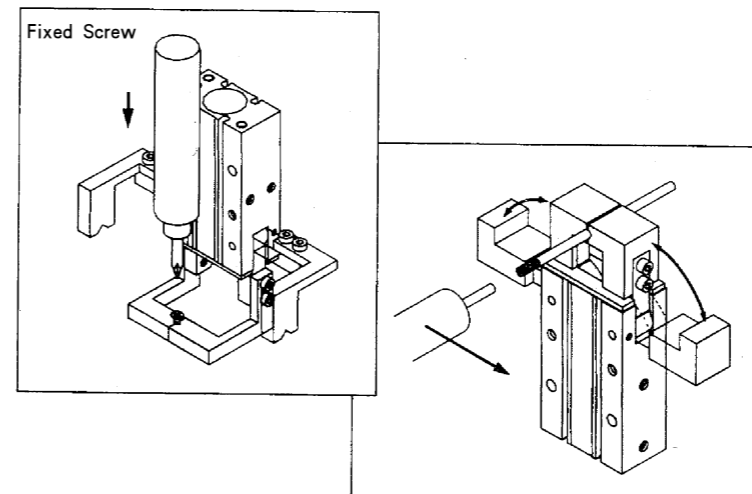
2) Bore : φ 25mm

Code : MHY2-25D

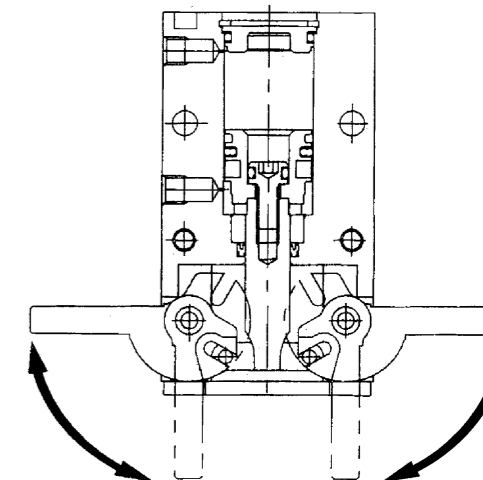
#### Stroke/Magnet switch (For choose)

Bore (mm)	Channel Installation		Magnet Switch (Channel Installation)
	Open	Close	
10			
16	180°	-3°	D-F9NL
20			D-F9BL
25			

#### Exsample



#### Structure

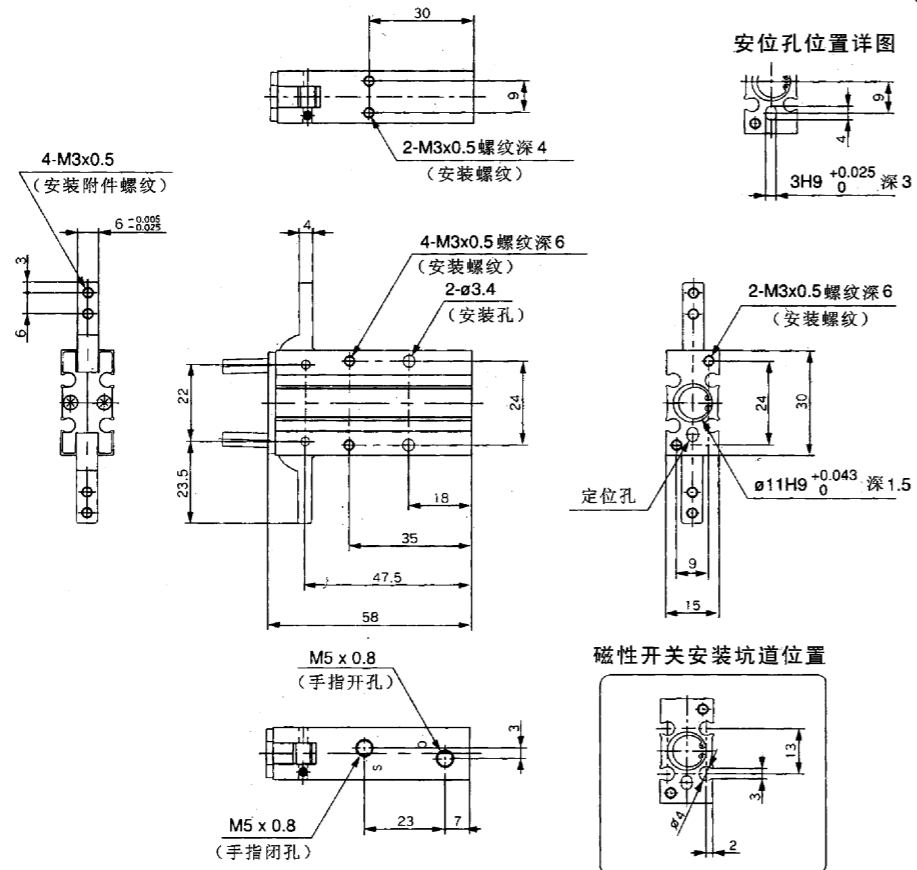


Opening And Closing Pneumatic Finger (Double Acting)

φ 10 ~ φ 25

MHY2-10D □

Figure Dimension (mm)

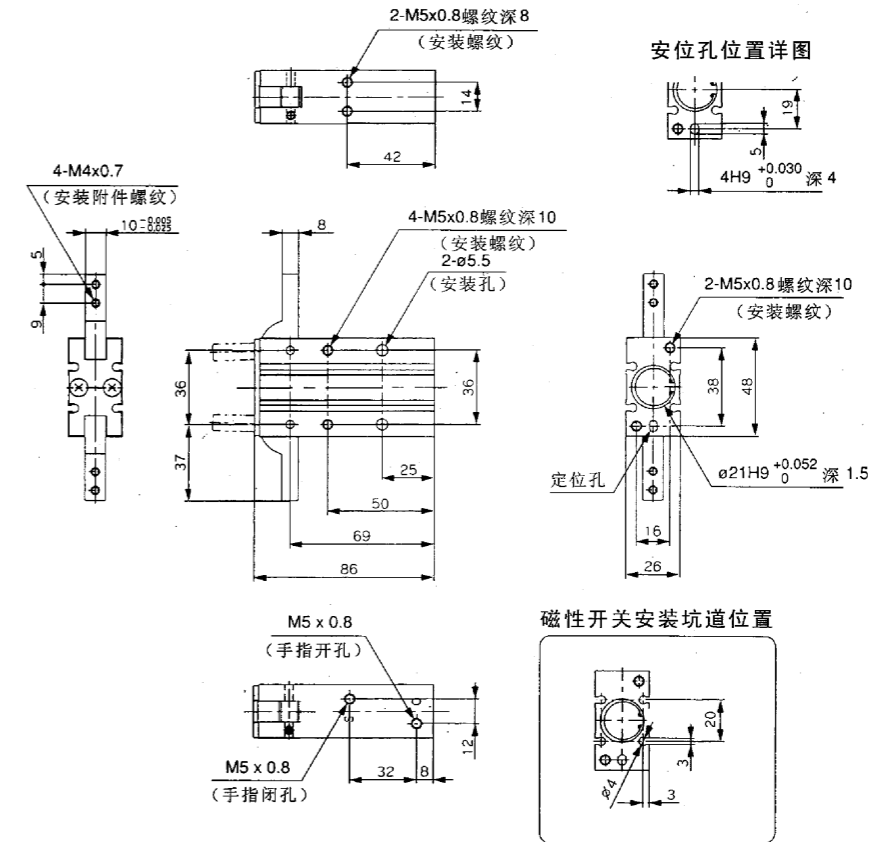


Opening And Closing Pneumatic Finger (Double Acting)

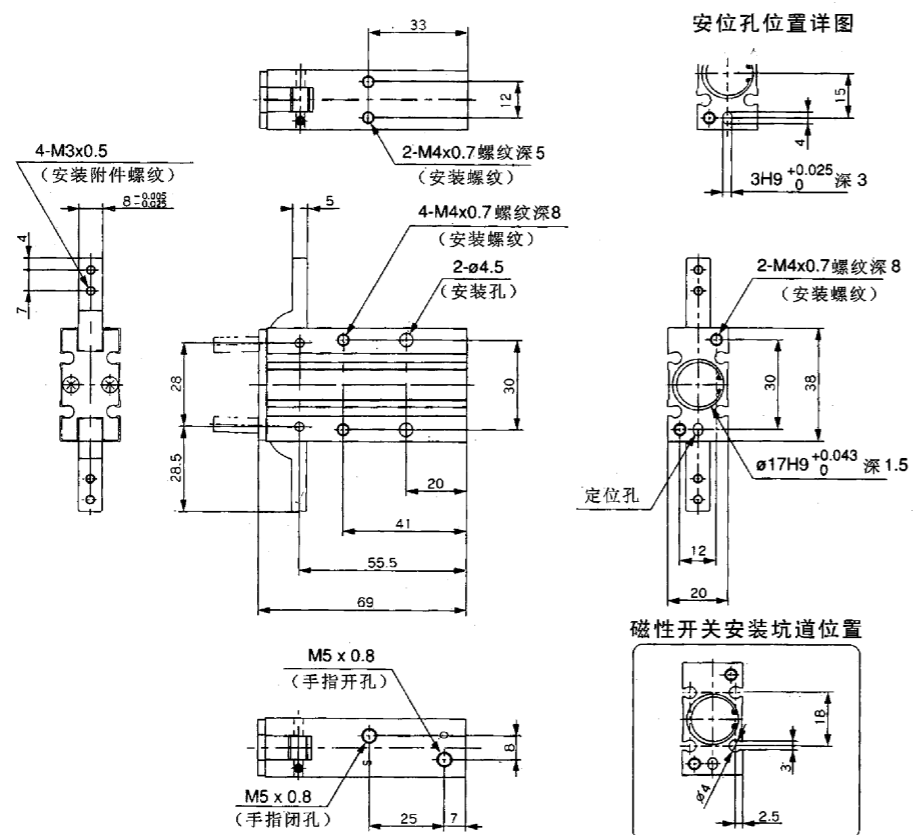
φ 10 ~ φ 25

MHY2-20D □

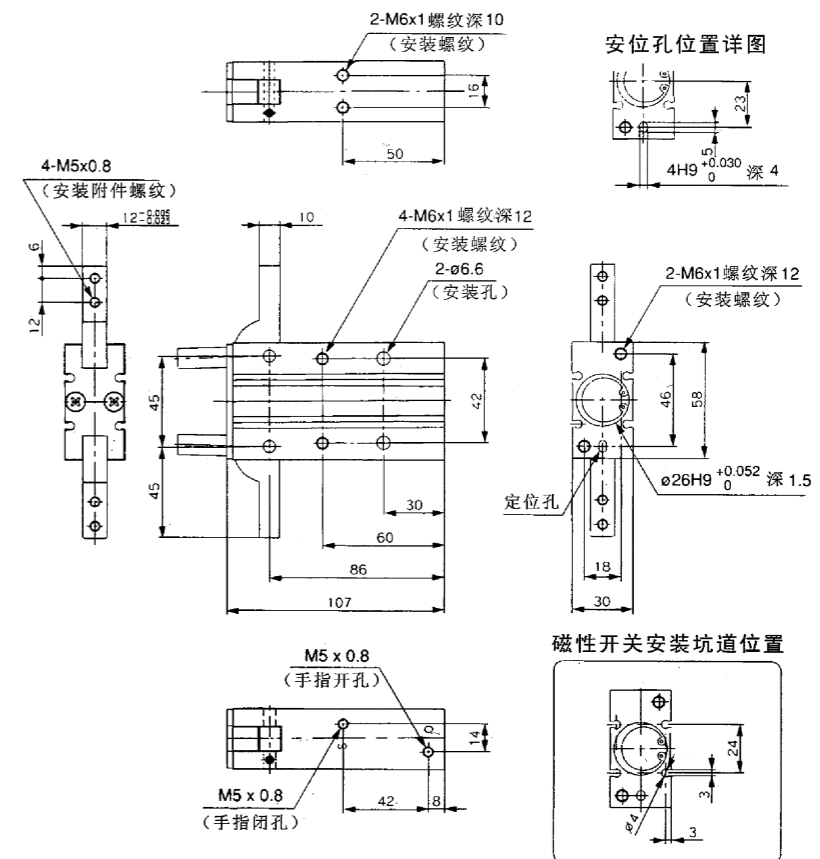
Figure Dimension (mm)



MHY2-16D □



MHY2-25D □



### Swing rack rotary cylinder

φ 10— φ 200

#### Ordering Code

Built-in ring-type : MSQB

10 A

Basic

Bore

10—φ 10mm  
70—φ 70mm

20—φ 20mm  
100—φ 100mm

30—φ 30mm  
200—φ 200mm

A—With the angle adjustment bolt  
B—Device with hydraulic shock absorbers

#### Specification

Bore (mm)	10	20	30	50	70	100	200
Medium	Air						
Action way	Double acting						
Working Pressure	Adjustment Bolts	1.0MPa(10.2kgf/cm <sup>2</sup> )					
	Shock Absorber	0.6MPa(6.1kgf/cm <sup>2</sup> )					
Minimum Operating Pressure	0.1MPa(1.0kgf/cm <sup>2</sup> )						
Environment and fluid temperature	0 ~ 60 °C						
Buffer	Rubber Buffer (standard) / hydraulic shock-absorbing device (optional)						
Allow the force	Adjustment Bolts	0.007J	0.025J	0.048J	0.081J	0.24J	0.32J
	Shock Absorber	0.039J	0.116J	0.116J	0.294J	1.1J	1.6J
Angle adjustment range	0 ~ 190 °						
Maximum swing angle	190 °						
Swing range and stable time	Adjustment Bolts	0.2 ~ 1.0 s/90 °		0.2 ~ 1.5 s/90 °		0.2 ~ 2.0 s/90 °	
	Shock Absorber	0.2 ~ 0.7 s/90 °		0.2 ~ 1.0 s/90 °			
Piston diameter	φ 15	φ 18	φ 21	φ 25	φ 28	φ 32	φ 40
Pipe size	M5 x 0.8			Rc(PT)1/8			

#### Ordering Code

- 所需力距：0.8Nm(在0.5MPa压力下)。Code：MSQB10A
- 所需负重：180N(b)。带油压吸震器。Code：MSQB30R

#### Allow the load

Type	Allow radial load(N)	Axial load permitted (N)		Allow the Bay from(N·m)
		(a)	(b)	
MSQB10 □	78	74	78	2.4
MSQB20 □	147	137	137	4.0
MSQB30 □	196	197	363	5.3
MSQB50 □	314	296	451	9.7
MSQB70 □	333	296	476	12.0
MSQB100 □	390	493	708	18.0
MSQB200 □	543	740	1009	25.0

#### Effective output torque

Type	Pressure (MPa)										
	0.1	0.1	0.2	0.3	0.4	0.5	0.6	0.7	0.8	0.9	1.0
MSQB10 □	0.18	0.18	0.36	0.53	0.71	0.89	1.07	1.25	1.42	1.60	1.78
MSQB20 □	0.37	0.37	0.73	1.10	1.47	1.84	2.20	2.57	2.93	3.29	3.66
MSQB30 □	0.55	0.55	1.09	1.64	2.18	2.73	3.19	3.82	4.37	4.91	5.45
MSQB50 □	0.93	0.93	1.85	2.78	3.71	4.64	5.57	6.50	7.43	8.35	9.28
MSQB70 □	1.36	1.36	2.72	4.07	5.43	6.79	8.15	9.50	10.9	12.2	13.6
MSQB100 □	2.03	2.03	4.05	6.08	8.11	10.1	12.2	14.2	16.2	18.2	20.3
MSQB200 □	3.96	3.96	7.92	11.9	15.8	19.8	23.8	27.7	31.7	35.6	39.6

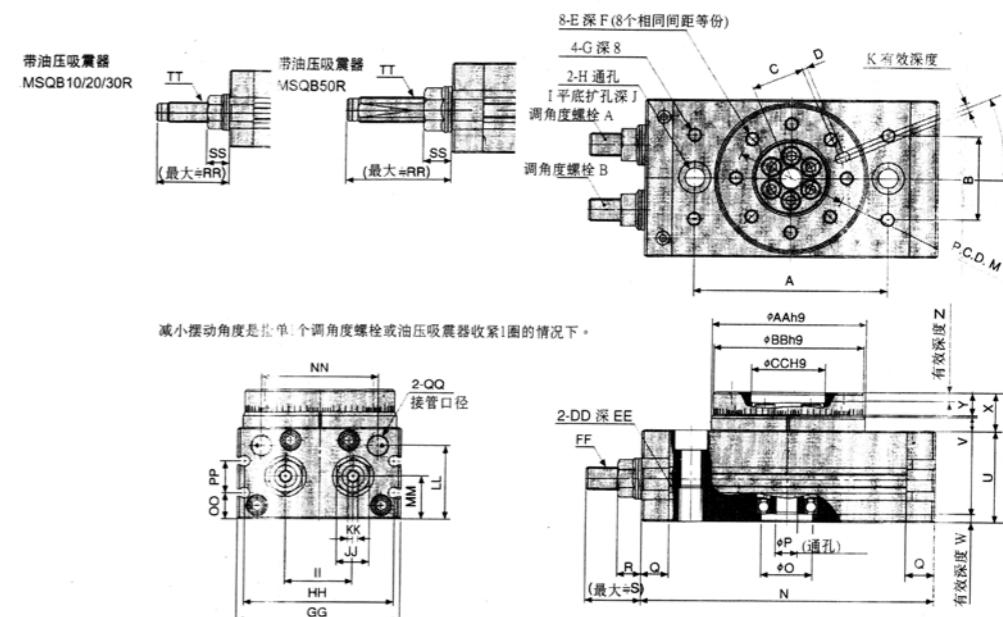
#### Basic weight table

Type	Degree bolt with mediation	Device with hydraulic shock absorbers
MSQB10 □	530	540
MSQB20 □	990	990
MSQB30 □	1290	1290
MSQB50 □	2080	2100
MSQB70 □	2880	2890
MSQB100 □	4090	4100
MSQB200 □	7580	7650

### Swing rack rotary cylinder

φ 10— φ 200

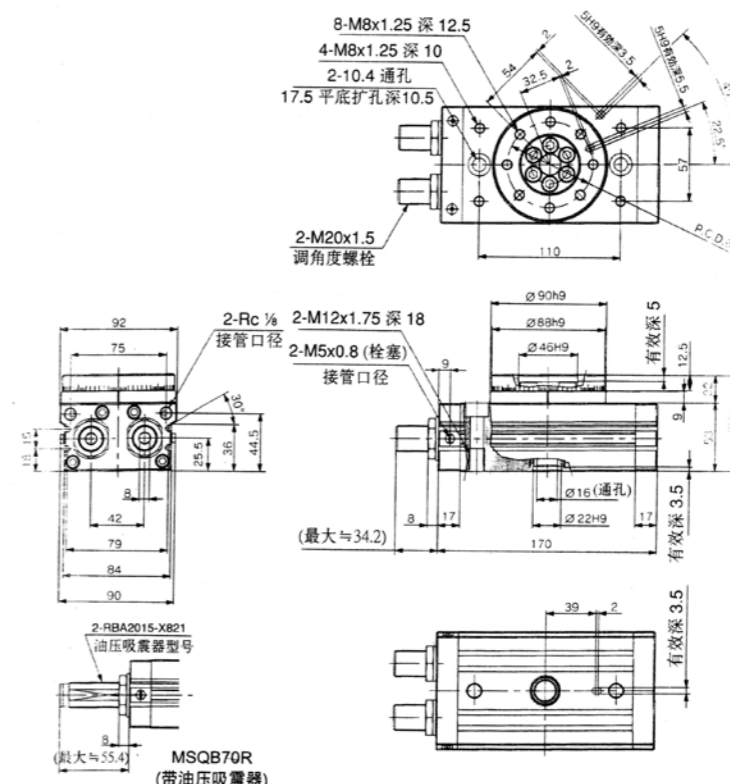
#### Figure Dimension (mm)



Type	A	B	C	D	E	F	G	H	I	J	K	L	M	N	O	P	Q	R	S	T	U	V	W	X	Y	Z
MSQB10 □	60	27	15	2	M5x0.8	8	M5x0.8	6.8	11	6.5	3H9	3.5	32	92	15H9	5	9.5	8.6	17.7	47	34	4.5	3	13	8	4
MSQB20 □	76	34	20.5	2	M6x1	10	M6x1	8.6	14	8.5	4H9	4.5	43	117	17H9	9	12	10.6	25	54	37	6.5	2.5	17	10	6
MSQB30 □	84	37	23	2	M6x1	10	M6x1	8.6	14	8.5	4H9	4.5	48	127	22H9	9	12	10.6	25	57	40	6.5	3	17	10	4.5
MSQB50 □	100	50	26.5	2	M8x1.25	12	M8x1.25	10.5	18	10.5	5H9	5.5	55	152	26H9	10	15.5	14	31.4	66	46	7.5	3	20	12	5

Type	AA	BB	CC	DD	EE	FF	GG	HH	II	JJ	KK	LL	MM	NN	OO	PP	QQ	RR	SS	TT	Shock Absorber Type
MSQB10 □	46	45	20	M8x1.25	12	M8x1	50	45	20	12	4	27.8	15.5	34.5	9	13	M5x0.8	31.5	8.6	M8x1	RBA0808-X692
MSQB20 □	61	60	28	M10x1.5	15	M10x1	65	60	27.5	14	5	28.5	16	51	10	12	M5x0.8	34.7	10.6	M10x1	RBA1006-X692
MSQB30 □	67	65	32	M10x1.5	15	M10x1	70	65	29	14	5	32	18.5	50	11.5	14	1/8	34.7	10.6	M10x1	RBA1006-X692
MSQB50 □	77	75	35	M12x1.75	18	M14x1.5	80	75	38	19	6	37.5	22	63	14.5	15	1/8	51.7	14	M14x1.5	RBA1411-X692

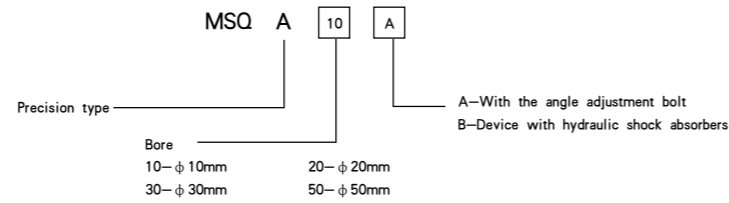
#### MSQB70



### Swing rack rotary cylinder

φ 10— φ 200

#### Ordering Code



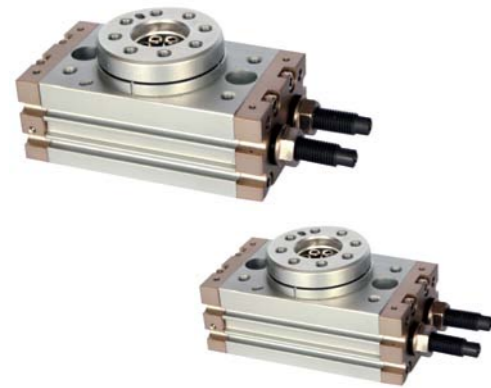
#### Specification

Type	MSQA10 □	MSQA20 □	MSQA30 □	MSQA50 □
Medium	Air			
Action way	Double acting			
Working Pressure	Adjustment Bolts 1.0MPa{10.2kgf/cm <sup>2</sup> }			
	Shock Absorber 0.6MPa{6.1kgf/cm <sup>2</sup> }			
Minimum Operating Pressure	0.2MPa{2kgf/cm <sup>2</sup> }	0.1MPa{1.0kgf/cm <sup>2</sup> }		
Environment and fluid temperature	0 ~ 60 °C			

\* Other specifications with the same basic

#### Ordering Code

- Torque required, 0.8Nm. Code: MSQA10A
- Load required, 180N(b). Device with hydraulic shock absorbers. Code: MSQA30R



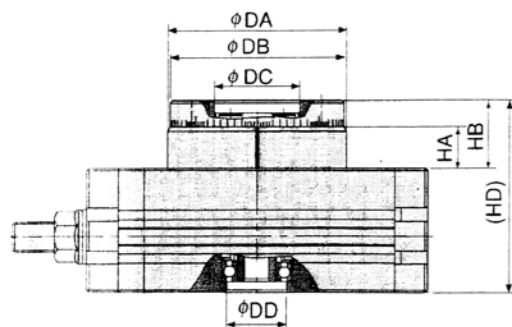
#### Character

Coupled with high-precision ball bearings, so that the vertical and horizontal position accuracy up to ± 0.01mm

#### Allow the load

Type	Allow radial load(N)	Axial load permitted (N)		Allow the Bay from(N·m)
		(a)	(b)	
MSQA10 □	86	74	107	2.9
MSQA20 □	466	137	197	4.8
MSQA30 □	233	197	398	6.4
MSQA50 □	378	296	517	12.0

#### Figure Dimension (mm)

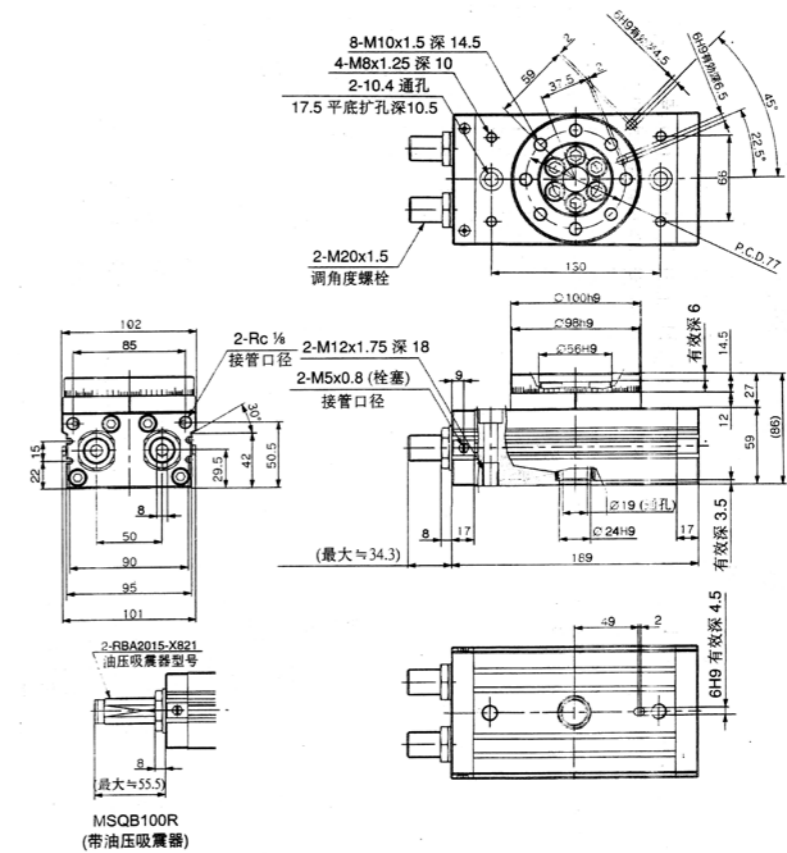


Type	DA	DB	DC	DD	HA	HB	HD
MSQA10 □	46h8	45h8	45h8	15H8	10	18.5	52.5
MSQA20 □	61h8	60h8	60h8	17H8	15.5	26	63
MSQA30 □	67h8	65h8	65h8	22H8	16.5	27	67
MSQA50 □	77h8	75h8	75h8	26H8	17.5	30	76

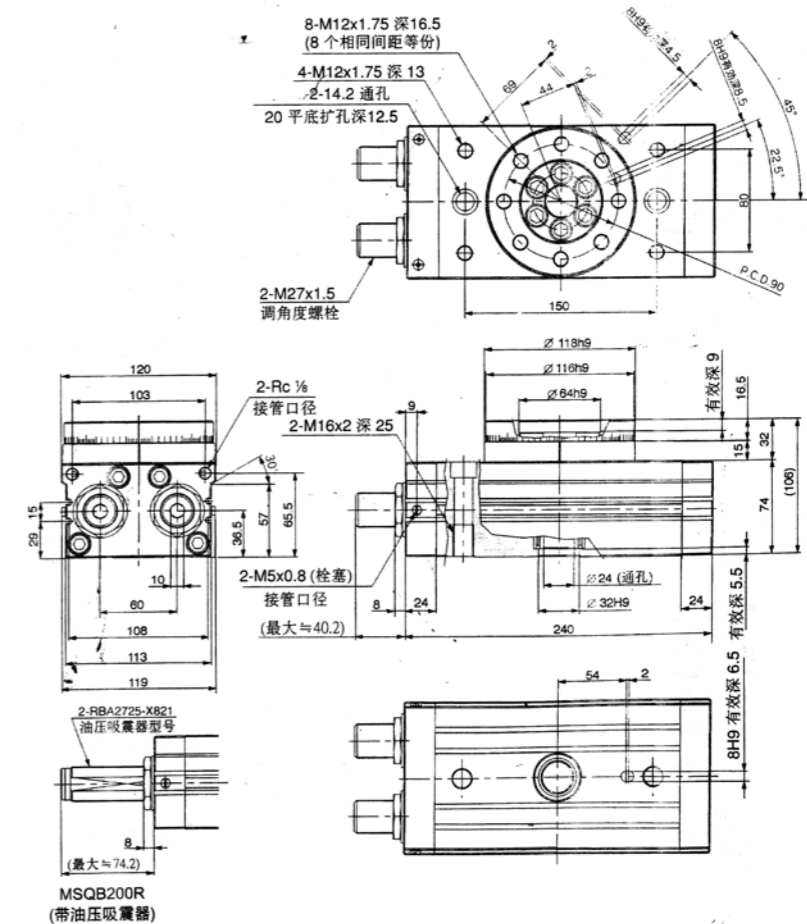
### Swing rack rotary cylinder

φ 10— φ 200

#### MSQB100



#### MSQB200



### Clamping Cylinder

φ 50—φ 63



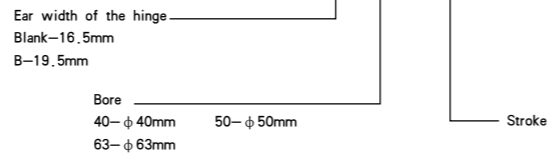
■ Welding equipment for automotive use

1. For demolition
2. Compact and light weight
3. Without lubrication
4. Built-in speed controller
5. No dust jacket
6. Electromagnetic fields can be used to generate welding equipment

Ordering Code

Basic Type : TMN

Magnet inside Type : TMNS



■ Order Example

- 1) Bore : 50, Stroke : 100, Basic, Earring Width : 16.5mm  
Code : TMN50-100
- 2) Bore : 63, Stroke : 50, Built-in ring-type, Earring Width : 19.5mm  
Code : TMNS63-50K

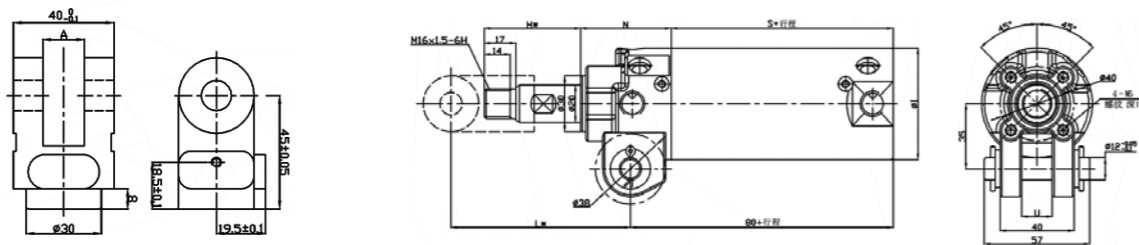
Standard Specification

Ear width of the hinge	16.5mm	TMN
	19.5mm	TMNB

Type	A
TMN63	TMN50
TMNB63	TMN50
	16.5
	19.5

Standard Specification

Stroke (mm)	40	50	63
Medium	Air		
Proof pressure	1.5Mpa(15kgf/cm <sup>2</sup> )		
Highest pressure	1.0Mpa(10kgf/cm <sup>2</sup> )		
Minimum operating pressure	0.1Mpa(1kgf/cm <sup>2</sup> )		
Environment temperature	5 ~ 60°C		
Relax	50 ~ 500mm/s		
Buffer gas	Yes		
Lubrication	Needless		
Thread tolerance	6H		
Stroke length tolerance	+1.5 (mm), 0		
Speed adjustment	Yes		
Mounting form	Double Earrings		
Pipe size Rc(PT)	G1/4		



Bore (mm)	H	φ I	L	N	S
50	52	58	97	49	58
63	52	72	97	49	58

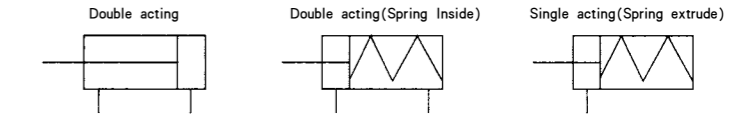
N (Standard)

Bore (mm)	Type Stroke	H					L				
		50	75	100	125	150	50	75	100	125	150
50		52	62	70	83	83	97	107	115	128	128
63		52	62	70	83	83	97	107	115	128	128

### Fixed-rod Cylinder

φ 20—φ 50

Sign



Standard Specification

Bore (mm)	20	32	40	50
Action	Double acting (Spring inside), Single acting (Spring extrude)			
Fired rod type	Cylindrical, Bias columnar, Idler wheel	Round pole, Flat pole, Roller lever, Lever roller (Shock absorber inside)		
Fluid	Air			
Proof Pressure	1.5Mpa(15.3kgf/cm <sup>2</sup> )			
Max pressure	1.0Mpa(10.2kgf/cm <sup>2</sup> )			
Environment and fluid temperature	-10 ~ 70°C(No Freeze)			
Cushion type	Two end cushion			
Cushion stroke	+1.4 (mm), 0			
* Lubrication	No			
Installation	through hole, Both ends female thread (General purpose)			
Pipe Size	Rc(PT)1/8			

\*If Lubrication, please use ISOVG32

■ Order Example

- 1) Bore : 20, Stroke : 15, through hole, double acting (Spring inside), Flat pole  
Code : RSQB20-15BK
- 2) Bore : 40, Stroke : 30, Magnet inside, Both ends female thread, single acting (Spring extrude), Lever roller (Shock absorber inside)  
Code : RSDQA40-30TC

Stroke/Magnetic Switch Option

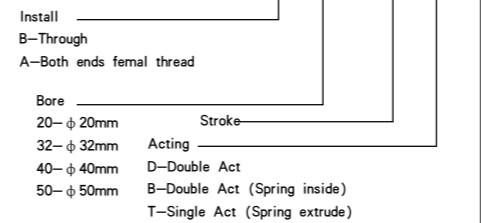
Bore (mm)	Standard Stroke	Magnetic Switch	
		Tunnel	Installation type
12	10, 15, 20	D-A72L	D-F79L
16		D-A73L	D-J79L
20	10, 15, 20	D-A76HL	
25		D-A80L	

\*Magnetic switch and characterstic please refer to the magnetic switch

Ordering Code

Basic Type : RSQ

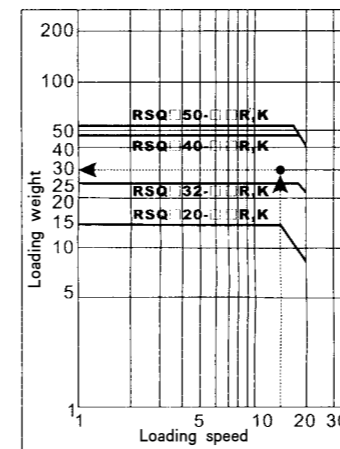
Magnet inside Type : RSDQ



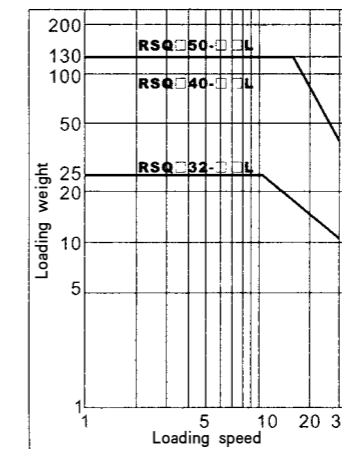
- No Mark - Round pole (φ 20 - φ 50mm)
- K - Flat pole (φ 20 - φ 50mm)
- R - Roller lever (φ 20 - φ 50mm)
- L - Lever roller (Shock absorber inside) (φ 32 - φ 50mm)
- B - Lever roller (Absorber inside) (φ 32 - φ 50mm)
- C - Lever roller (Absorber inside, Adjustable absorber inside) (φ 32 - φ 50mm)
- D - Lever roller (Shock absorber inside, Autolock) (φ 32 - φ 50mm)
- E - Lever roller (Absorber inside, Adjustable absorber inside and autolock) (φ 32 - φ 50mm)

Fixed-rod operating range

Round pole, Flat pole, Roller lever

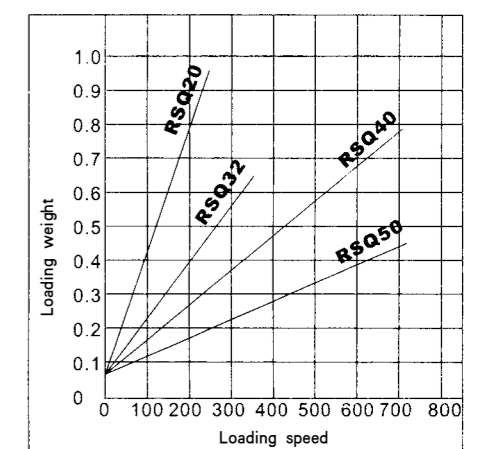


Lever Roller (shock absorber inside)



Transverse loading & Operating

Round pole, Flat pole, Roller lever



Cylindrical

(Bore  $\phi 20$ /RS□QB20-□□)

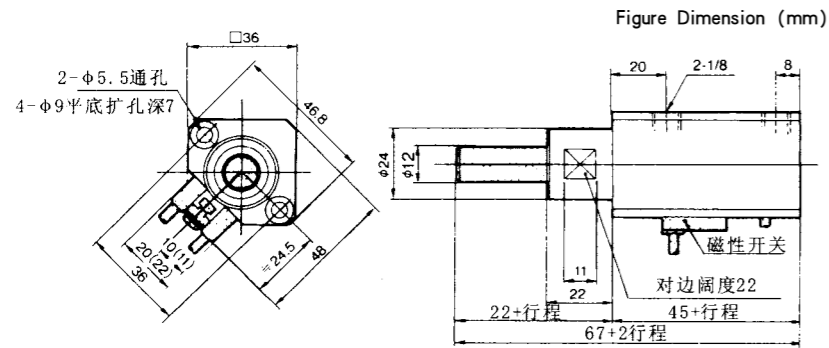
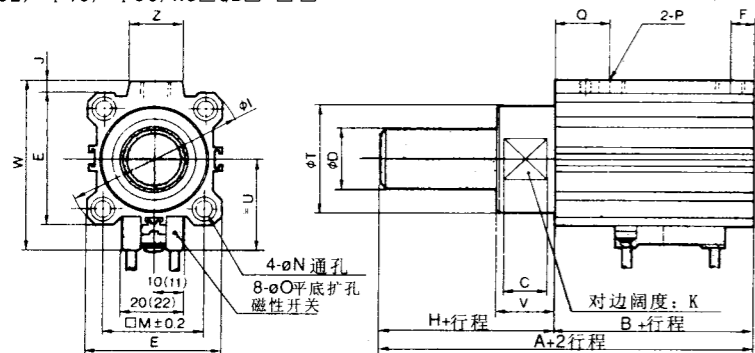


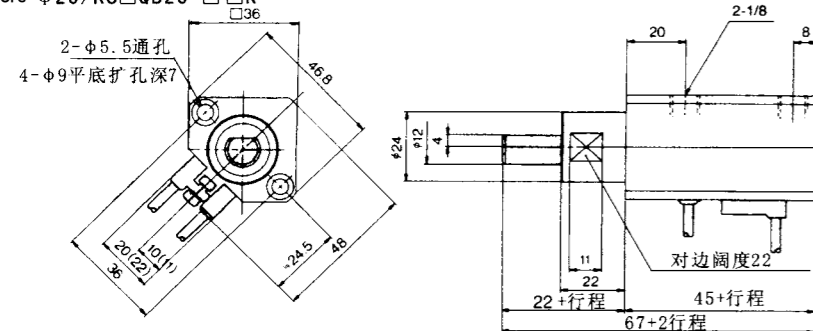
Figure Dimension (mm)

Bore  $\phi 32, \phi 40, \phi 50$ /RS□QB□-□□

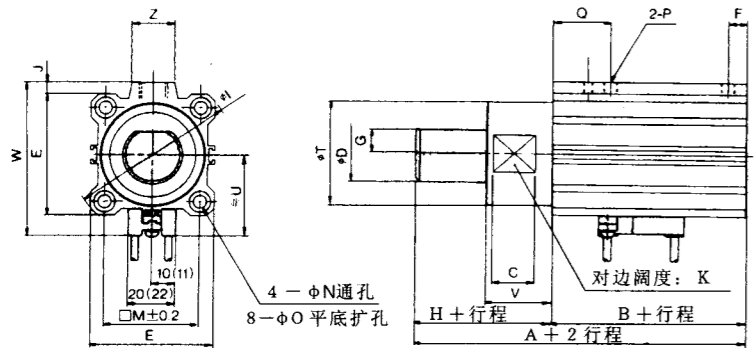


Flat Pole

Bore  $\phi 20$ /RS□QB20-□□K



Bore  $\phi 20, \phi 40, \phi 50$ /RS□QB□-□□K



Bore (mm)	A	B	C	D	E	F	G	H	I	J	K	M	N	$\phi O$	P	Q	R	T	U	V	W	Z
32	68	48	15	20	45	7.5	8	20	60	4.5	32	34	5.5	9深7	1/8	20	10	36	31.5	20	58.5	18
40	80.5	52.5	18	25	52	8	10	28	69	5	41	40	5.5	9深7	1/8	24.5	10	44	35	28	66	18
50	82	54	21	25	64	8	10	28	86	7	50	50	6.6	11深8	1/8	24.5	14	56	41	28	80	22

Note 1) Non-magnetic switch figure dimensions as above

Note 2) D-A7 and D-A8 dimension as above

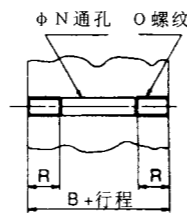
Note 3) D-A7 □ H, D-A80H, D-F79 and D-J79 dimension in brackets as above

Note 4) Extended piston rod dimension as above

Fixed-rod cylinder

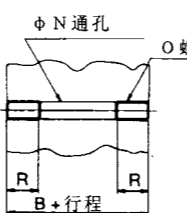
$\phi 20 - \phi 50$

Two ends-thread: R S □ Q A



Bore (mm)	B	N	O	R
20	45	5.5	M6×1.0	10
32	48	5.5	M6×1.0	10
40	52.5	5.5	M6×1.0	10
50	54	6.6	M8×1.25	14

Two ends-thread: R S □ Q A



Bore (mm)	B	N	O	R
20	45	5.5	M6×1.0	10
32	48	5.5	M6×1.0	10
40	52.5	5.5	M6×1.0	10
50	54	6.6	M8×1.25	14

Rdler Lever

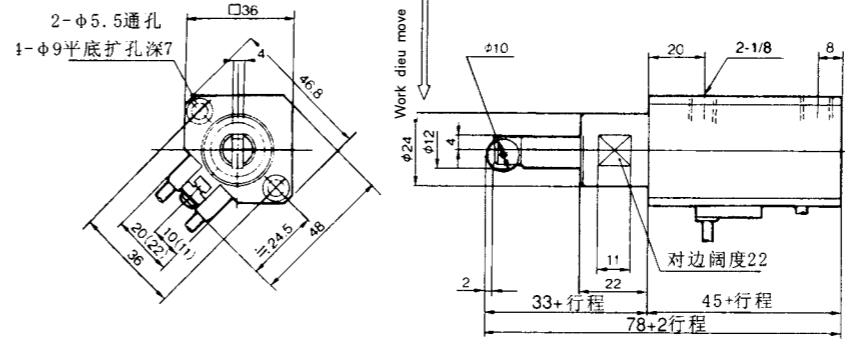
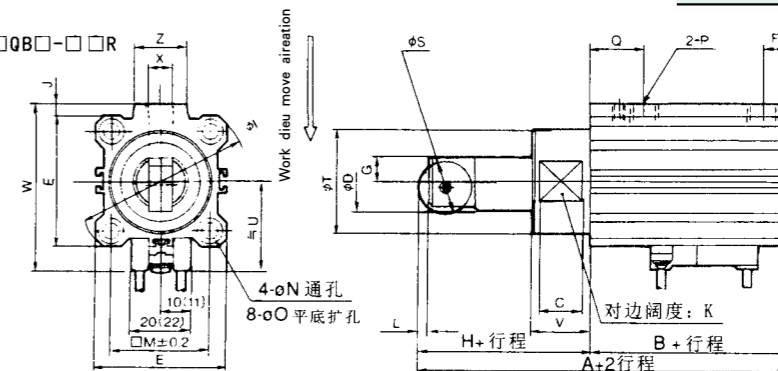


Figure Dimension (mm)

Bore  $\phi 32, \phi 40, \phi 50$ /RS□QB□-□□R



Bore (mm)	A	B	C	D	E	F	G	H	I	J	K	L	M	N	$\phi O$	P	Q	R	S	T	U	V	W	X	Z
32	87	48	15	20	45	7.5	8	20	60	4.5	32	3	34	5.5	9深7	1/8	20	10	18	36	31.5	20	58.5	8	18
40	105.5	52.5	18	25	52	8	10	28	69	5	41	4	40	5.5	9深7	1/8	24.5	10	24	44	35	28	66	9	18
50	107	54	21	25	64	8	10	28	86	7	50	4	50	6.6	11深8	1/8	24.5	14	24	56	41	28	80	9	22

Note 1) Non-magnetic switch figure dimensions as above

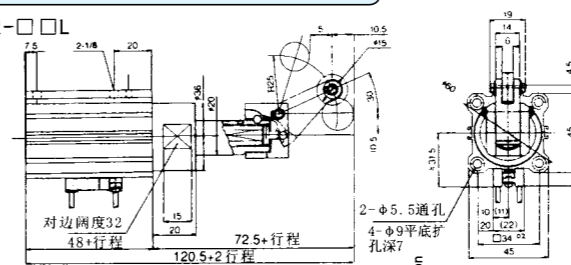
Note 2) D-A7 and D-A8 dimension as above

Note 3) D-A7 □ H, D-A80H, D-F79 and D-J79 dimension in brackets as above

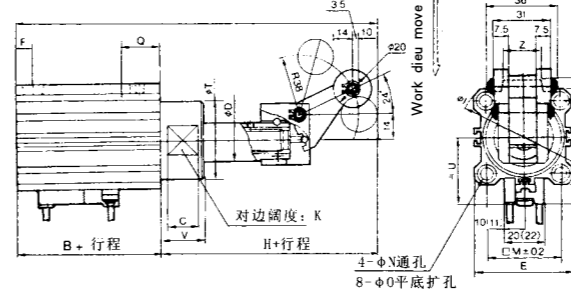
Note 4) Extended piston rod dimension as above

Leverage Pulley type (Shock absorber inside)

Bore  $\phi 32$ /RS□QB32-□□L



Bore  $\phi 40, \phi 50$ /RS□QB□-□□L



Bore (mm)	A	B	C	D	E	F	G	H	I	J	K	M	N	$\phi O$	P	Q	R	T	U	V	W	Z
40	80.5	52.5	18	25	52	8	10	28	69	5	41	40	5.5	9深7	1/8	24.5	10	44	35	28	66	18
50	82	54	21	25	64	8	10	28	86	7	50	50	6.6	11深8	1/8	24.5	14	56	41	28	80	22

Note 1) Non-magnetic switch figure dimensions as above

Note 2) D-A7 and D-A8 dimension as above

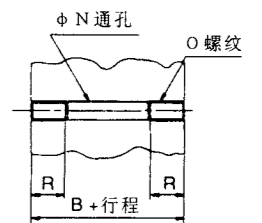
Note 3) D-A7 □ H, D-A80H, D-F79 and D-J79 dimension in brackets as above

Note 4) Extended piston rod dimension as above

Fixed-rod cylinder

$\phi 20 - \phi 50$

Two ends-thread: R S □ Q A



Bore (mm)	B	N	O	R
20	45	5.5	M6×1.0	10
32	48	5.5	M6×1.0	10
40	52.5	5.5	M6×1.0	10
50	54	6.6	M8×1.25	14

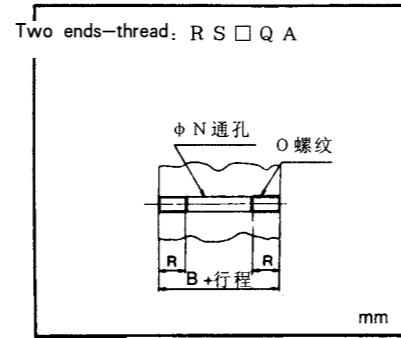
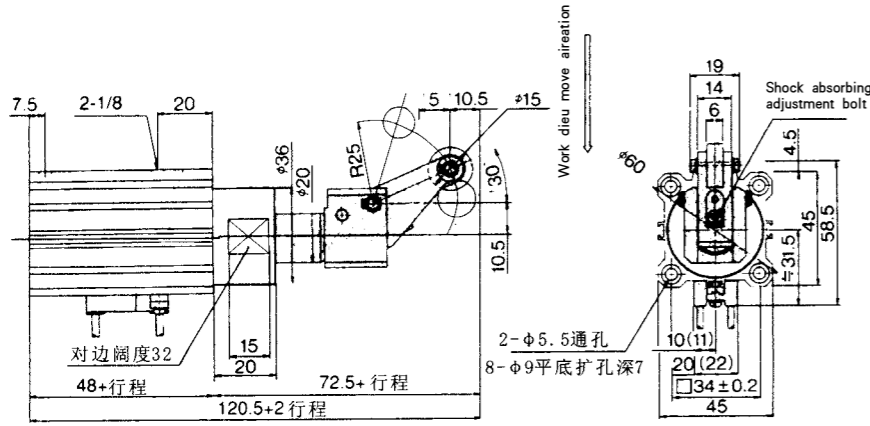
### Fixed-rod cylinder

φ 20-φ 50

#### Leverage pulley type(Adjustable strok absorber inside)

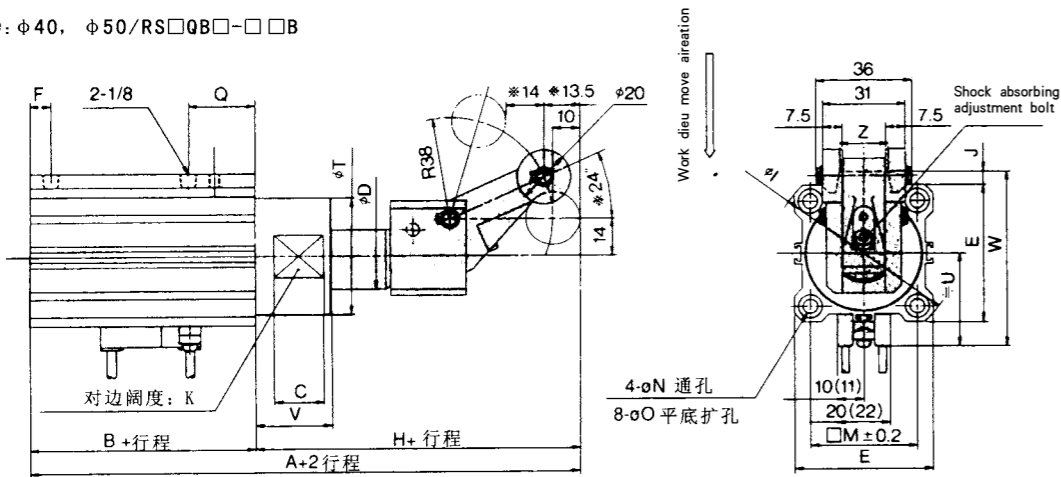
Bore: φ 32/RS□QB32-□□B

Figure Dimension (mm)



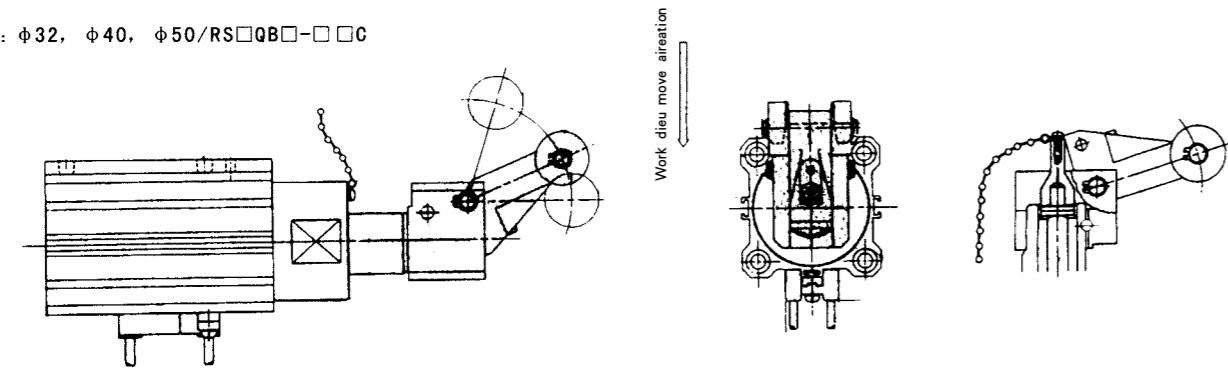
Bore(mm)	B	N	O	R
32	48	5.5	M6×1.0	10
40	52.5	5.5	M6×1.0	10
50	54	6.6	M8×1.25	14

Bore: φ 40, φ 50/RS□QB□-□□B



#### Leverage pulley type(Build-in shock absorber, pause and lock device)

Bore: φ 32, φ 40, φ 50/RS□QB□-□□C



\* Inside suspended device dimension same as above

Bore (mm)	A	B	C	D	E	F	G	H	I	J	K	M	N	φO	P	Q	R	T	U	V	W	Z
40	80.5	52.5	18	25	52	8	10	28	69	5	41	40	5.5	9深7	1/8	24.5	10	44	35	28	66	18
50	82	54	21	25	64	8	10	28	86	7	50	50	6.6	11深8	1/8	24.5	14	56	41	28	80	22

Note 1) Non-magnetic switch figure dimension same as the above

Note 3) D-A7 □ H, D-A80H, D-F79 and D-J79 dimension in brackets as above

Note 2) D-A7 and D-A8 dimension as above

Note 4) Extended piston rod dimension as above

Note 5) The dimension with \* adjust ment of shock absorber with changing the dimension then shock-absorbing effect reaching maximal as shown above

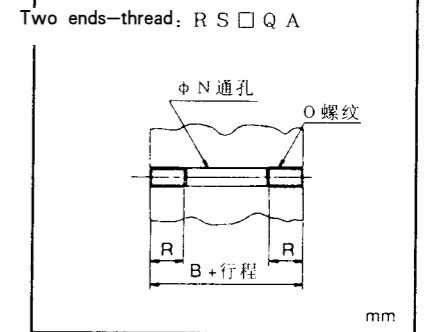
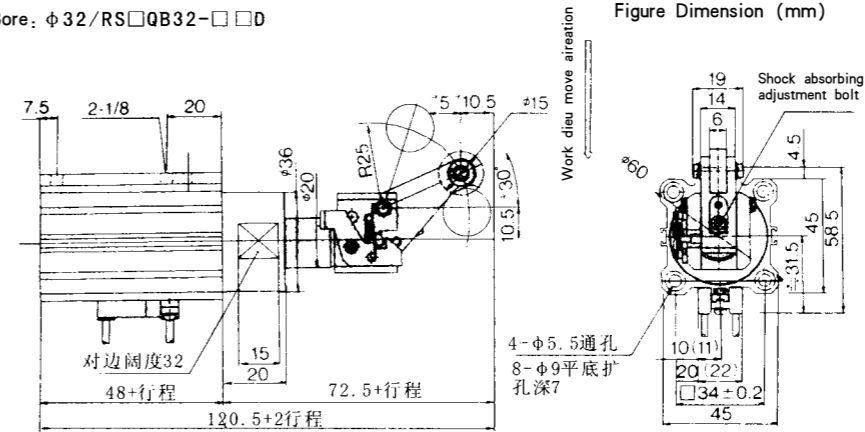
### Fixed-rod cylinder

φ 20-φ 50

#### Leverage pulley type(Adjustable strok absorber anisde and self-locking deviles)

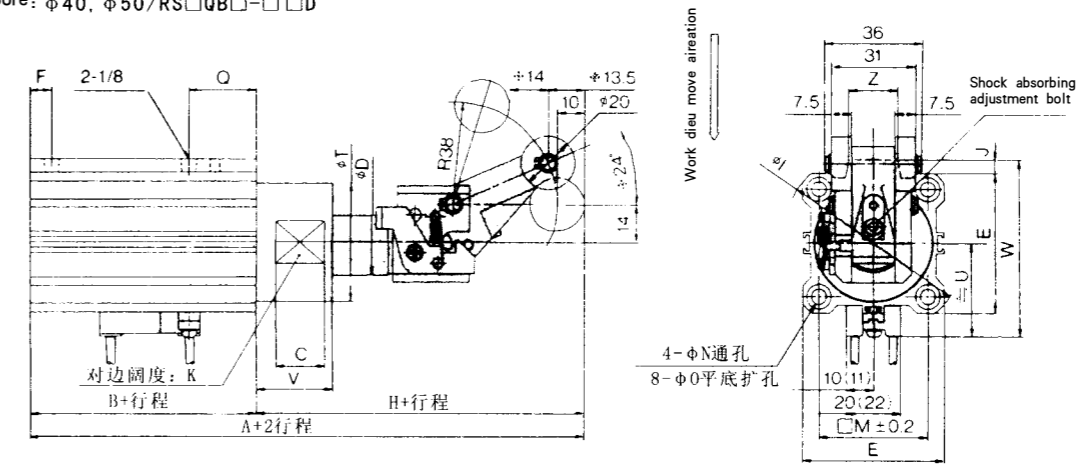
Bore: φ 32/RS□QB32-□□D

Figure Dimension (mm)



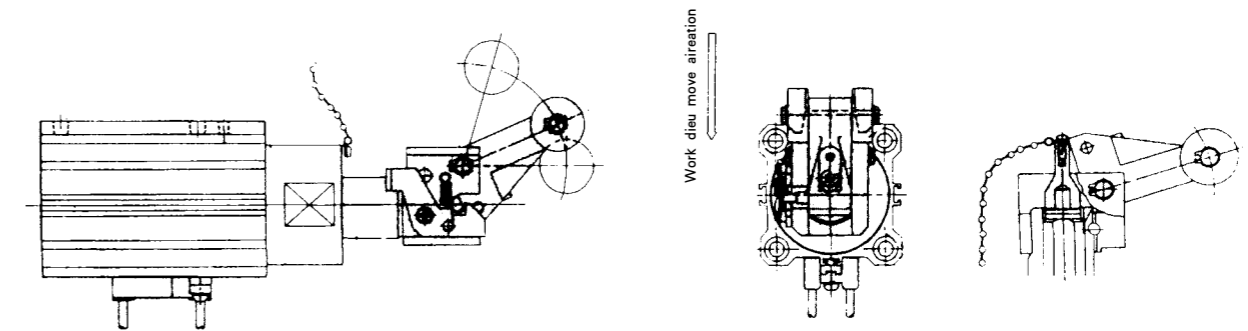
Bore (mm)	B	N	O	R
32	48	5.5	M6×1.0	10
40	52.5	5.5	M6×1.0	10
50	54	6.6	M8×1.25	14

Bore: φ 40, φ 50/RS□QB□-□□D



#### Leverage pulley type(Adjustable shock absorber inside and autolock device)

Bore: φ 32, φ 40, φ 50/RS□QB□-□□E



\* Inside suspended device dimension same as above

Bore (mm)	A	B	C	D	E	F	G	H	I	J	K	M	N	φO	P	Q	R	T	U	V	W	Z
40	80.5	52.5	18	25	52	8	10	28	69	5	41	40	5.5	9深7	1/8	24.5	10	44	35	28	66	18
50	82	54	21	25	64	8	10	28	86	7	50	50	6.6	11深8	1/8	24.5	14	56	41	28	80	22

Note 1) Non-magnetic switch figure dimension same as the above

Note 3) D-A7 □ H, D-A80H, D-F79 and D-J79 dimension in brackets as above

Note 2) D-A7 and D-A8 dimension as above

Note 4) Extended piston rod dimension as above

Note 5) The dimension with \* adjust ment of shock absorber with changing the dimension then shock-absorbing effect reaching maximal as shown above



### TGH Series Stopper Cylinder

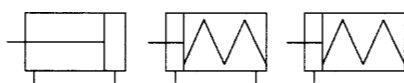
φ 6— φ 63



#### ● Product characteristic

This cylinder is usually used on the transport belt system. When the piston rod protrude, it will stop the work piece on the belt instead of stop the belt system, and when the piston rod retract the belt will transport the work piece again. Thicker piston rod can increase the power and also append shock absorber, and lever trolley can make it more conveniently.

#### ■ Graphics Sign



#### ● Ordering Code



#### ■ Specification

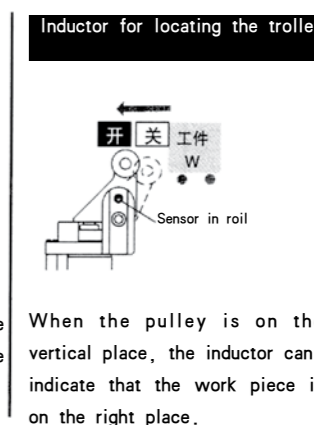
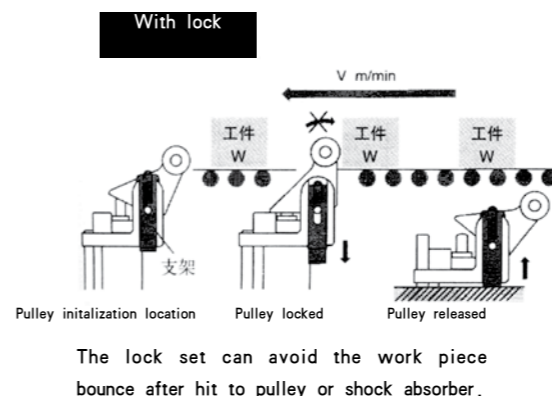
Bore (mm)	50	63
Acting	Double acting (Spring inside) 、 Single acting (Spring extrude)	
Applicable medium	Air	
Lever	Lever trolley	
Pressure range	1.0 MPa	
Proof pressure	1.5 MPa	
Temperature range	-10 ~ 60°C (No Freeze)	
Cushion type	Rubber cushion (Stangard)	
Cushion stroke	+1.4 mm	0 mm
Lubricating	Not required	
Port size	M5x0.8	G1/8

Note: If lubricating, please use ISOVG32.

### TGH Series Stopper Cylinder

φ 6— φ 63

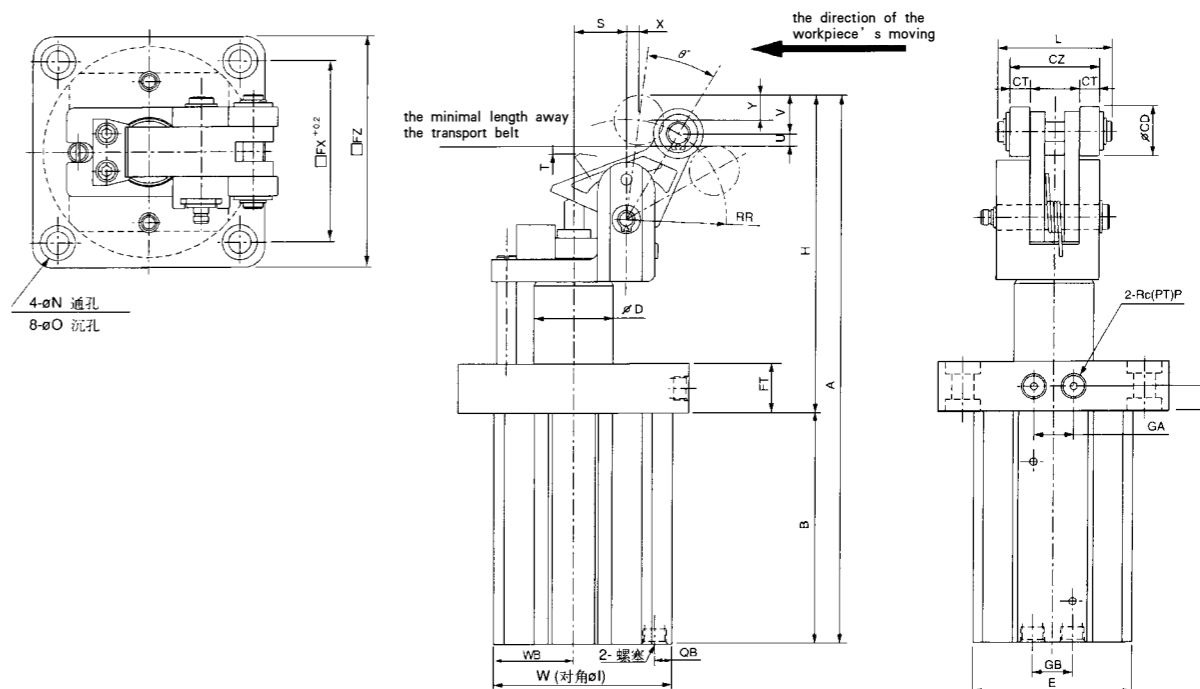
Random choose



#### ■ Figure Dimension

● TGH50—

● TGH63—



Bore	Stroke	A	B	CD	CT	CZ	D	E	FT	FX	FZ	GA	GB	H	φI	L	N	O	P	QA	QB
φ50	30	221	93	20	8	36	32	64	20	73	93	16	16	128	85	45	9	14 深 5	1/8	10	7
φ63	30	251.5	107	20	10	45	40	77	25	90	114	24	24	144.5	103	54	11	18 深 6	1/4	12.5	8.5

Bore	Stroke	R	S	T	U	V	W	WB	X	Y	θ°
φ50	30	40	21	2	5.5	15.5	72	49	5	10	24
φ63	30	47	24.5	3.5	6.4	16	87.5	38.5	5	10	24

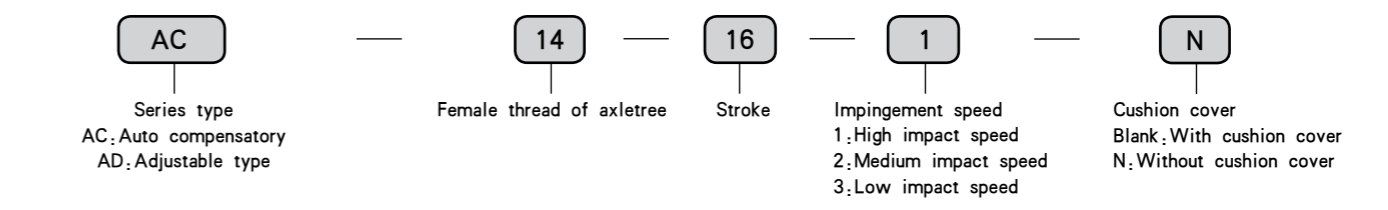
Note: the dimension are the same for cylinder with magnet switch or without.

Note: the dimension is in the case of that the piston rod protrude.





● Ordering Code



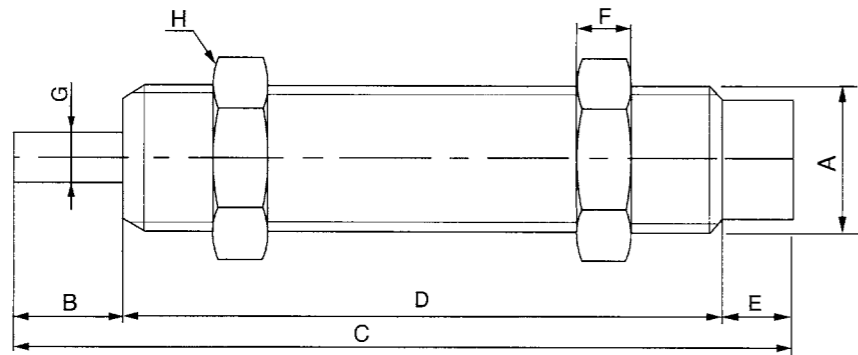
■ Specification

Item	Stroke mm	Max. spring adjusted force	Max. spring adjusted force / ton	Max. effective weight kg			Max. impact speed m/s			Storage Temperature °C
				1	2	3	1	2	3	
AC-0300	3	2	1200	0.5	2	3	2	1	0.5	-10~80
AC-1005	5	3	3600	1	3	7	3	1.5	0.8	-10~80
AC-1008	8	4	5000	2	4	9	3	1.5	0.8	-10~80
AC-1210	10	5	12,000	6	10	20	2	1.5	0.8	-10~80
AC-1412	12	15	50,000	8	50	150	3	1.5	0.8	-10~80
AC-1415	15	20	35,000	10	70	150	3	1.5	0.8	-10~80
AC-2020	20	40	40,000	30	200	700	3.5	2	1	-10~80
AC-2050	50	60	80,000	30	400	1500	3.5	2	1	-10~80
AC-2525	25	60	70,000	200	600	1500	4	2.5	1	-10~80
AC-2540	40	120	75,000	500	1200	2000	4	2.5	1	-10~80
AC-3050	50	250	120,000	400	1500	2500	4	2.5	1	-10~80

■ Specification

Type	Stroke mm	Max energy absorbed J/m	Max weight capacity / ton	Max effective weight Kg			Max stroke speed m/s			Working Temperature
				1	2	3	1	2	3	
AD-1410	10	20	25,000	30			3			-10~80
AD-2010	10	25	31,000	300			3.5			-10~80
AD-2525	25	65	71,000	400			3.5			-10~80
AD-3340	40	130	81,000	700			3.5			-10~80
AD-3950	50	170	100,000	1100			3			-10~80
AD-4775	25	200	128,000	3000			3.5			-10~80
AD-5250	50	500	150,000	5000			4.5			-10~80
AD-6375	75	750	180,000	8000			4.5			-10~80
AD-8450	50	1200	1500,000	12727			1.5			-10~80
AD-44100	100	24,000	2000,000	16181			1.5			-10~80
AD-64150	150	66,000	2500,000	22636			1.5			-10~80

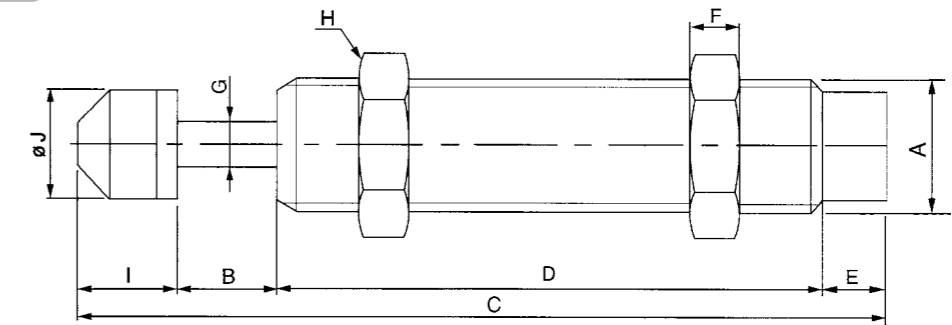
● Without cushion cover



■ Figure Dimension

Specification / Type	A	B	C	D	E	F	G	H	I	J
AC-0808	M8x1.0	8	14	33	4	3	2.8	11		
AC-1008	M10x1.0	8	17.7	33.8	4.8	3	3	12.7		
AC-1208	M12x1.0	8	21	38	5	3	3	12.7		
AC-1412	M14x1.5	12	28	45.5	4.5	4	3	14		
AC-1616	M16x1.5	16	31	56	5	5	4	19		

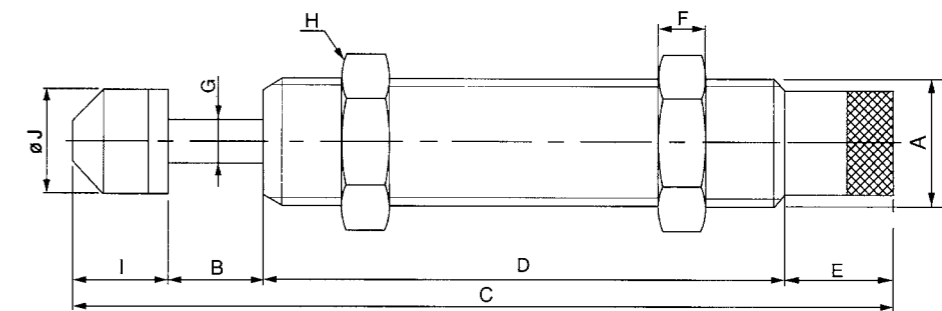
● With cushion cover



■ Figure Dimension

Specification / Type	A	B	C	D	E	F	G	H	I	J
AC-0808	M8x1.0	8	22.4	30	5	3	2.8	11		8.8
AC-1008	M10x1.0	8	26.2	33.8	4.8	3	3	12.7		9.8
AC-1208	M12x1.0	8	29.5	38	5	3	3	12.7		9.8
AC-1412	M14x1.5	12	36.5	45.5	4.5	4	3	14		10.5
AC-1616	M16x1.5	16	39.5	56	5	5	4	19		12
AC-2020	M20x1.5	20	44.5	61	5	5	5	25		15
AC-2525	M25x1.5	25	53.5	69	5	5	5	25		18
AC-3030	M30x1.5	28	64.5	81	5	5	5	32		22
AC-3535	M35x1.5	40	70.5	92	5	5	5	32		22
AC-4040	M40x1.5	50	74	101	5	5	5	35		25

● Adjustable Type

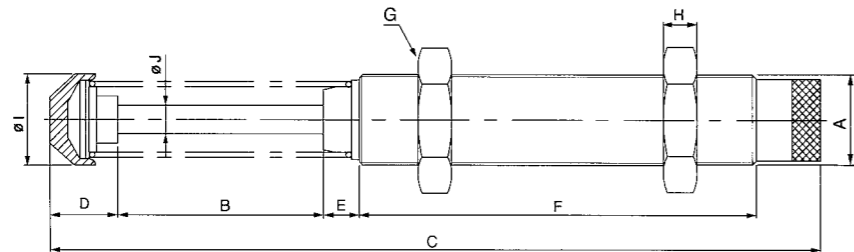


■ Figure Dimension

Specification / Type	A	B	C	D	E	F	G	H	I	J
AD-1410	M14x1.5	10	113.5	73	10	6	4	19	14.5	12
AD-1616	M16x1.5	16	144.5	101	10	6	5	25	18.5	14
AD-2020	M20x1.5	20	191.8	101	17.5	10	8	32	18.2	22
AD-2525	M25x1.5	40	215.8	127	17.5	10	8	32	21.3	22

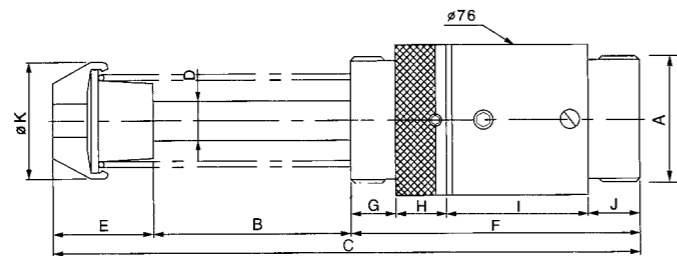
### AC Series Shock absorber

● Adjustable Type



■ Figure Dimension

Specification/Type	A	B	C	D	E	F	G	H	I	J
AC-2050	M36x1.5	60	242	21	17	148	48	15	25	19
AC-4025	M42x1.5	75	301.5	30	27	184.5	60	15	44.5	12
AC-4050	M42x1.5	60	241	34	25	154	50	15	44.5	12
AC-4275	M42x1.5	75	301.5	39	25	184.5	60	15	44.5	12



■ Figure Dimension

Specification/Type	A	B	C	D	E	F	G	H	I	J	K
AC-5050	2 1/2 UNF(63.5)	60	247.5	20	51.5	145	25	20	77	25	50
AC-50100	2 1/2 UNF(63.5)	100	347.5	20	51.5	185	25	20	77	25	50
AC-50150	2 1/2 UNF(63.5)	150	447.5	20	51.5	255	25	20	77	25	50

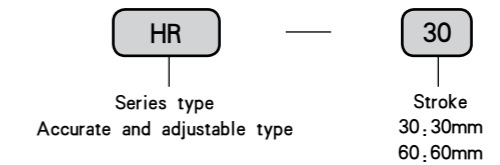
### HR Series

● Product characteristic

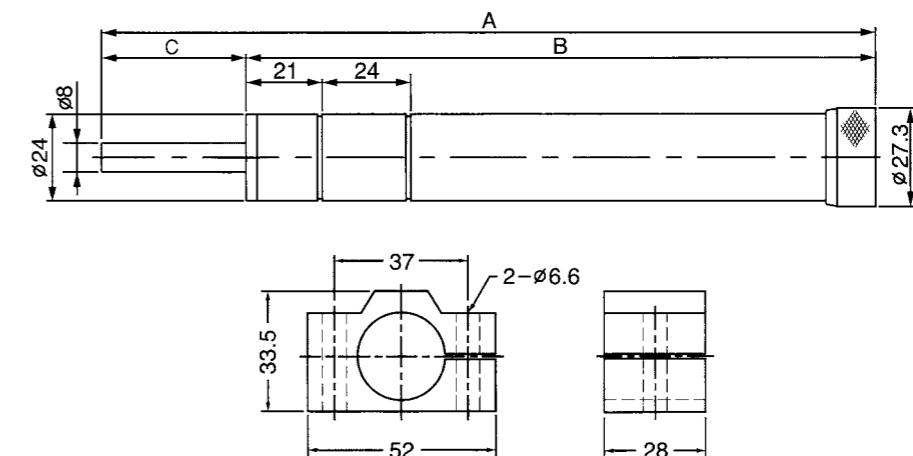
1. It can control steadily for a long time and return by spring.
2. It's dustproof and leak proof with complete hermetic structure. Can be used in different special conditions.
3. Under the change of temperature, oil used is still very steady.
4. For small volume and easy installation, it's comprehensive used in manipulator, grind machine and cutting machine etc.



● Ordering Code



■ Figure Dimension



Type	A	B	Max.Stroke	Applicable temperature	Max.Weight	Adjustable speed range
HR15	151	136	15mm	0-60°C	15-350 kgf	0.5~30mm/s( load: 100kg)
HR30	202	172	30mm	0-60°C	15-350 kgf	0.5~30mm/s( load: 100kg)
HR60	254	194	60mm	0-60°C	15-350 kgf	0.5~30mm/s( load: 100kg)
HR80	336	256	80mm	0-60°C	15-350 kgf	0.5~30mm/s( load: 100kg)
HR100	390	290	100mm	0-60°C	15-350 kgf	0.5~30mm/s( load: 100kg)

### TGZ Series Pressure-adding Cylinder



#### ● Product characteristic

Can use low-pressure air to press the low-pressure oil into the highpressure oil. And the output pressure is up to 25 times of the input pressure. This product is usually used in punching, rivetting and so on.

#### ● Installation instruction

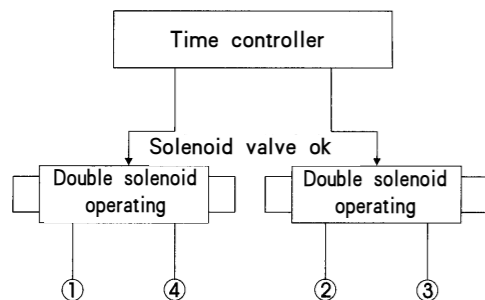
1. Pressure-adding cylinder, the air route refer to the drawing. Working steps: 1). input air, the piston pole push down; 2). input air, add pressure, 3). input air, the pressure add rod rebound, 4). input air, piston rod rebound.

2. The acting frequency of the cylinder can be controlled by the time controller and also relative to the solenoid valve and the dimation of the tube.

3. If want to add the frequency, can combine the air input tube of the second

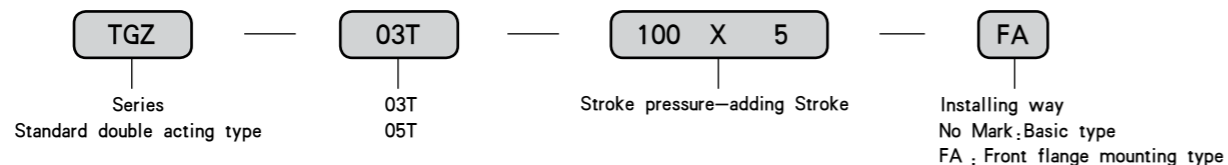
4. The pressure of the cylinder can be adjusted by the air pressure under the circumstance that pressure is within the limitation.

5. Please adjust the cylinder according to the reality.



#### ■ Graphics Sign

#### ● Ordering Code



#### ■ For Example

1) Poaer 3 tons, , Stroke 100mm, pressure-adding Stroke 5, Installing type sare to FA type pressure-adding stroke.  
Code : TGZ-03T-100×5-FA

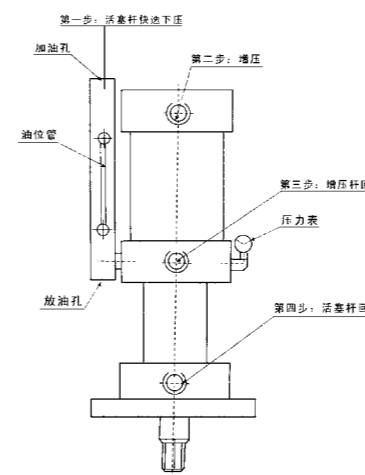
#### ■ Specification

Action	Double acting
Applicable medium	Filtered and dry pressed air
Pressure range	0.4-0.7 MPa
Proof pressure	1.2 Mpa
Temperature range	-10 - 60°C (No freeze)
Recycleoil	Hydraulic oil

### TGZ Series Pressure-adding Cylinder

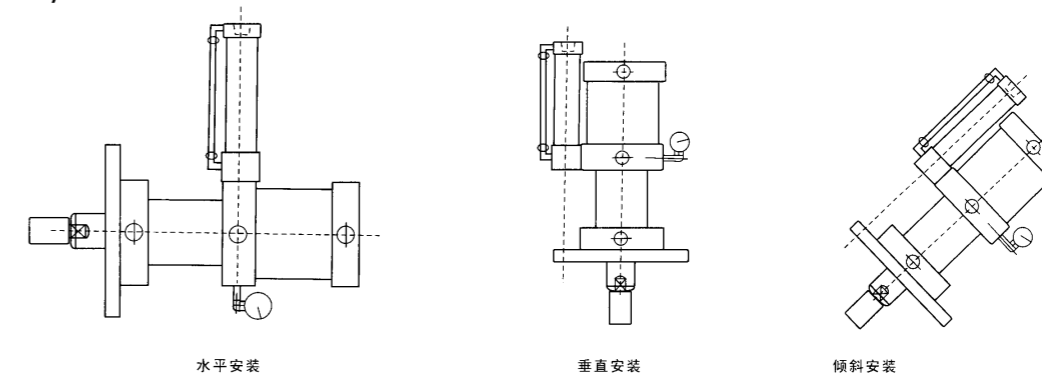
#### ■ Figure Dimension

##### ● Panel installation



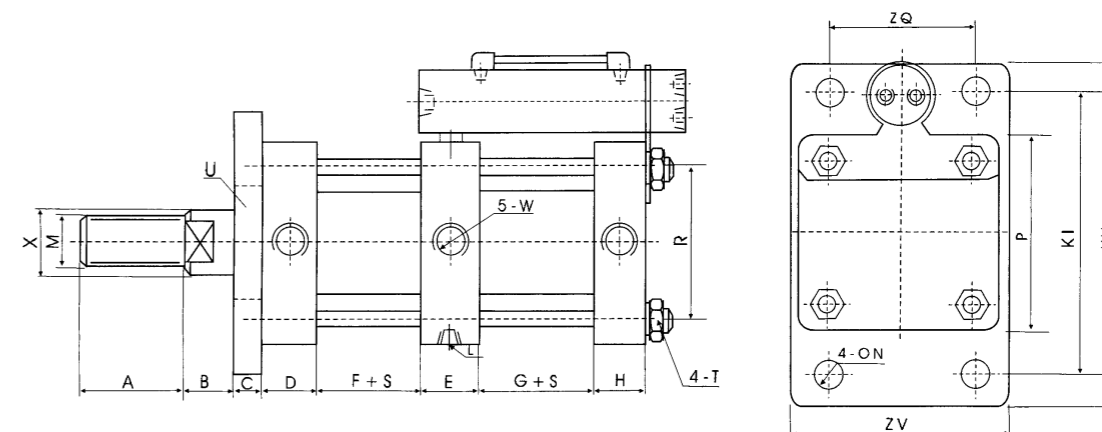
Bore	Working pressure MPa	Theoretical pull power	Theoretical push power
63-50	0.5	62	1530
	0.6	75	1825
	0.7	88	2127
80-63	0.5	107	2490
	0.6	129	2995
	0.7	151	3495
100-80	0.5	203	4562
	0.6	243	5467
	0.7	284	6388

#### ■ Installing way



#### ■ Figure Dimension

##### ● Panel installation



Bore	A	B	C	D	F	E	G	H	R	P	X	M	W	L	T	KY	KI	ZV	ZQ	ON	U
63-50	40	25	16	30	60	35	50	22	60	85	30	27x2	ZG1/4	ZG1/4	12	140	112	87	55	13	50
80-63	50	30	20	35	65	40	56	25	75	100	35	30x2	ZG3/8	ZG1/4	14	160	132	100	65	15	55
100-80	50	36	25	35	65	40	65	25	90	118	35	30x2	ZG3/8	ZG1/4	16	190	155	118	88	17	55

Accessories for cylinder

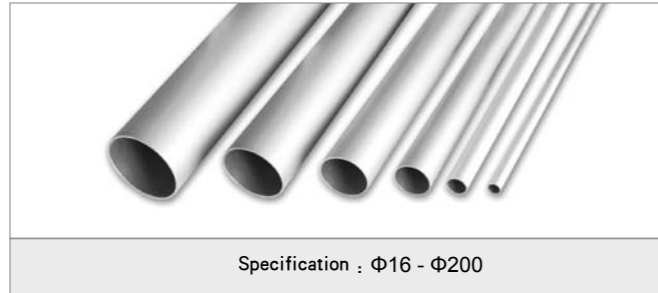
45 Piston rod



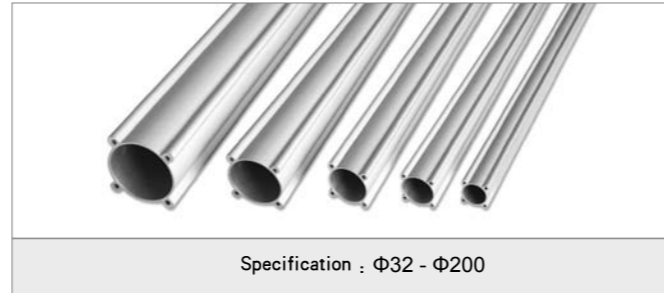
304 Stainless steel Piston rod



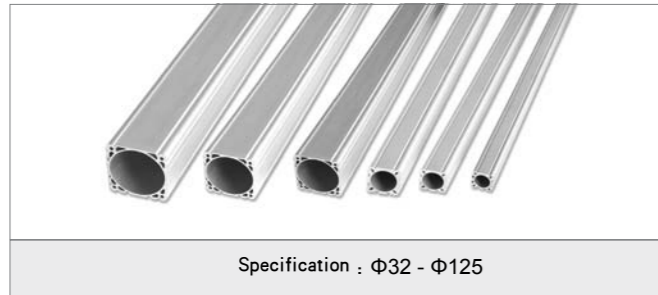
TGC/TGI Bore



TGU/TGI Bore



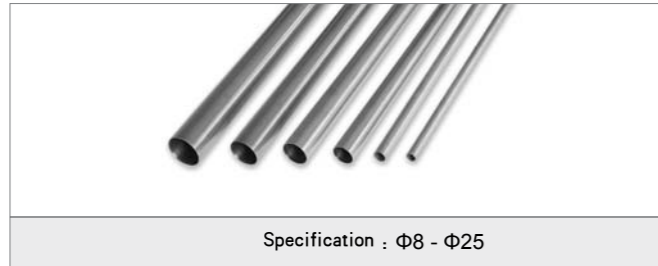
TGD Bore



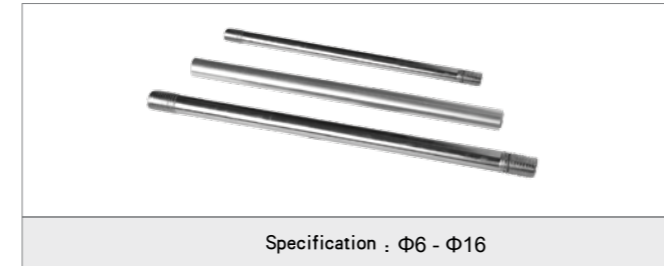
TGN Bore



TGL/TGA Bore



TGC/TGI Tie rod



Accessories for cylinder

TGD Cylinder kits (ISO6431&VDMA24562)



TGC Cylinder kits



TGI Cylinder kits (ISO6431&VDMA24562)



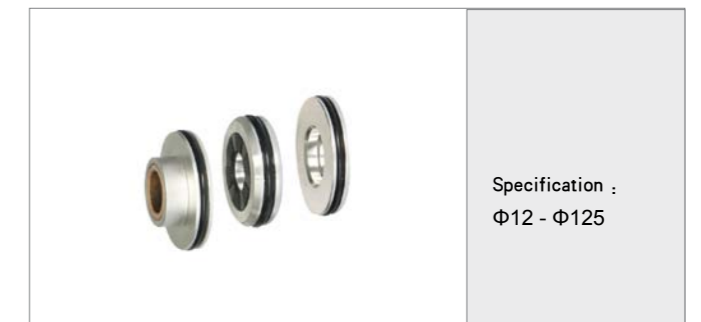
TGU Cylinder kits



TGI Cylinder kits (ISO6431&VDMA24562)



TGN Cylinder kits



TGA Cylinder kits



TGL Cylinder kits (ISO6432)



TGM Cylinder kits



### TGD/TGI Installing Accessories

Accord : ISO15552 (ISO6431)  
VDMA24562

#### Ordering Code

**TGD**

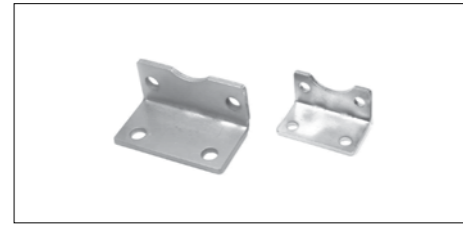
Type:  
TGD TGI

**32**

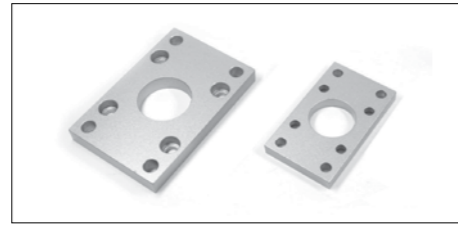
Bore size

**LB**

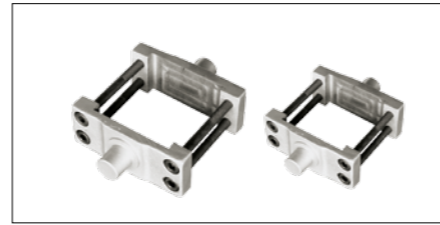
Accessory Type



● LB



● FA, FB



● TC



● CA

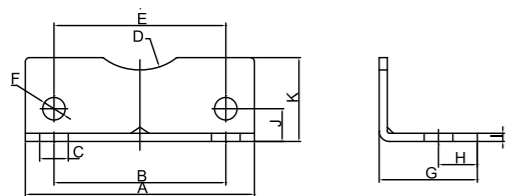


● CB



● CR

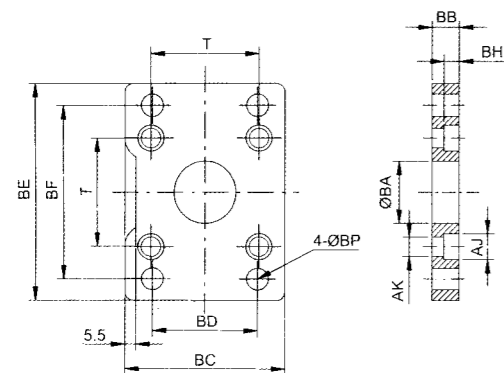
#### LB



Bore	A	B	C	D	E	F	G
32	45	32	ø7	32	32,5	ø6,5	30,5
40	54	36	ø10	38	38	ø6,5	37
50	64	45	ø10	42	46,5	ø8,5	41,5
63	75	50	ø10	48	56,5	ø8,5	44,5
80	93	63	ø12	48	72	ø10,5	56
100	110	75	ø14,5	58	89	ø10,5	58,5

Bore	H	I	J	K	L	N	M
32	6,5	5	3	15,75	R4	17,5	56°
40	9	5	3	17	R4	18	49°
50	10,5	6	3	21,75	R4	25	60°
63	12,5	6	3	21,75	R4	25	54°
80	15	6	3	27	R4	39	65°
100	17,5	6	3	26,5	R5	42	65°

#### FA, FB

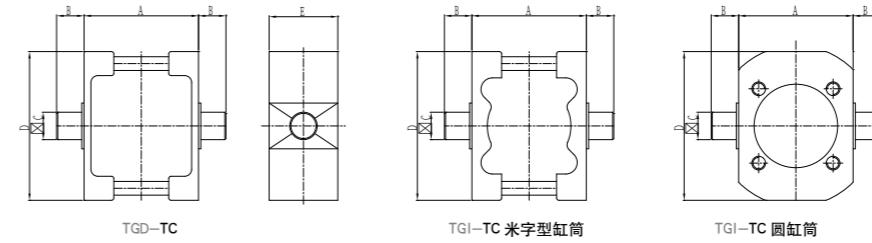


Bore	32	40	50	63	80	100
BA	30,3	35,3	40,3	45,3	45,3	55,3
BB	10	10	12	12	16	16
BC	45	52	65	76	94	112
BD	32	36	45	50	63	75
BE	80	90	110	120	150	175
BF	64	72	90	100	126	150
BH	6,5	6,5	8,5	8,5	10,5	10,5
AJ	10,5	10,5	13,5	13,5	16,5	16,5
AK	6,5	6,5	8,5	8,5	10,5	10,5
BP	7	9	9	9	12	14
AT	32,5	38	46,6	56,5	72	89

### TGD/TGI Installing Accessories

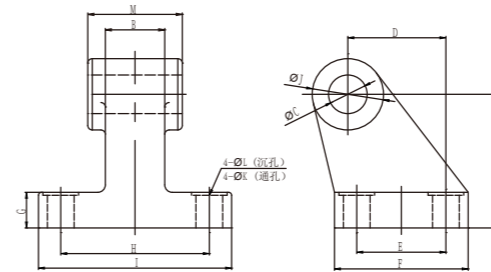
Accore : ISO15552 (ISO6431)  
VDMA24562

#### TC



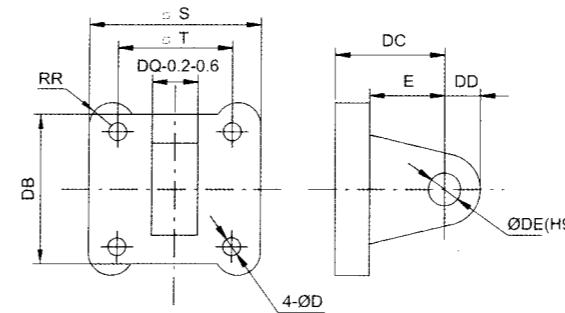
Bore	32	40	50	63	80	100
A	50	63	75	90	110	132
B	12	16	16	20	20	25
C	12	16	16	20	20	25
D	65	75	95	105	130	145
E	30	32	34	41	44	48

#### CR



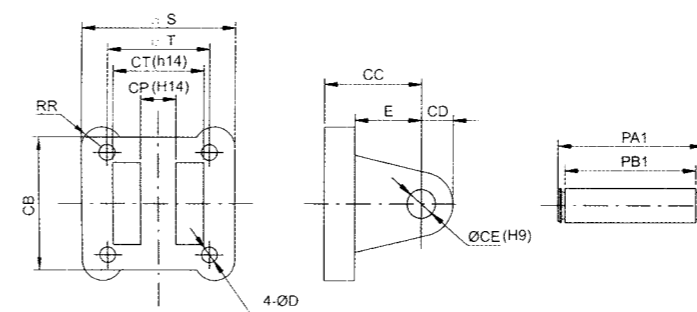
Bore	32	40	50	63	80	100
A	32	36	45	50	63	71
B	26	28	32	40	50	60
C	10	12	12	16	16	20
D	21	24	33	37	47	55
E	18	22	30	35	40	50
F	31	35	45	50	60	70
G	8	10	12	12	14	15
H	38	41	50	52	66	76
I	51	54	65	67	86	96
J	20	22	24	30	30	38
K	6,6	6,6	9	9	11	11
L				15	19	19
M	25,8	27,8	31,8	39,8	49,8	59,8

#### CA



Bore	32	40	50	63	80	100
S	45	52	65	76	94	112
T	32,5	38	46,5	56,5	72	89
RR	6,5	6,5	9	9,5	11	11,5
DB	34	41	54	65	83	101
DC	22	25	27	32	36	41
DD	10	11	13	16	16	20
DE	10	12	12	16	16	20
DQ	26	28	32	40	50	60
D	6,5	6,5	8,5	8,5	10,5	10,5
E	14	17	17	22	24	25

#### CB

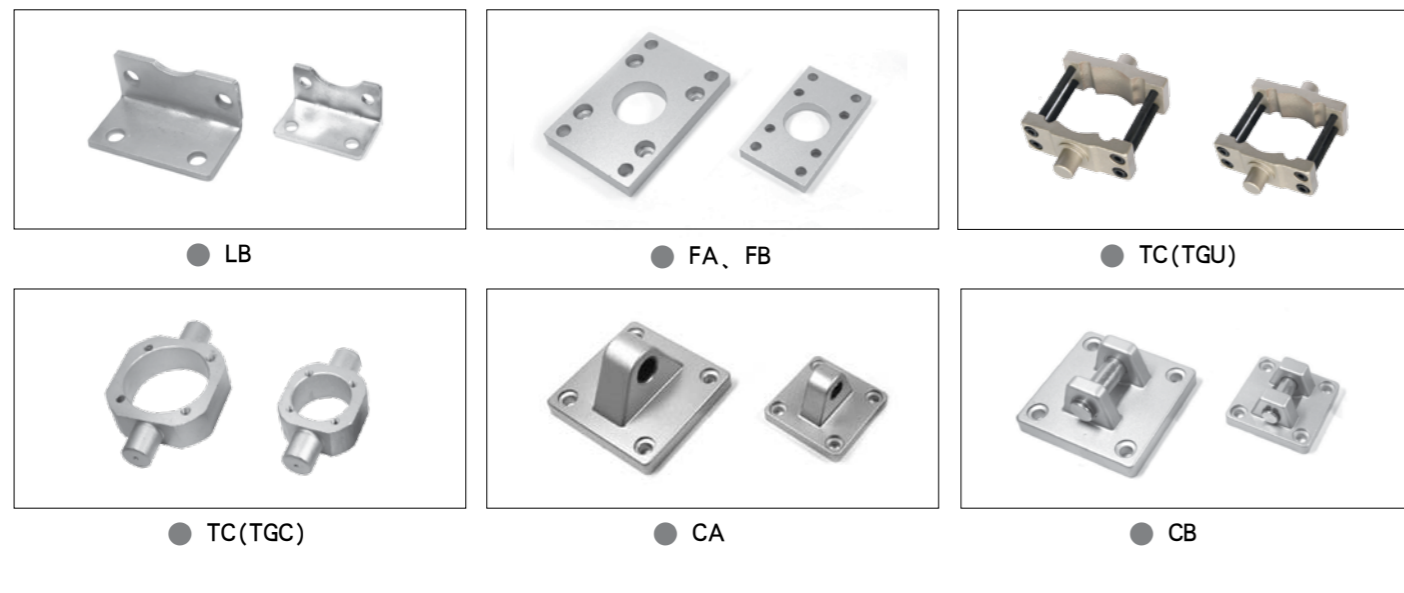
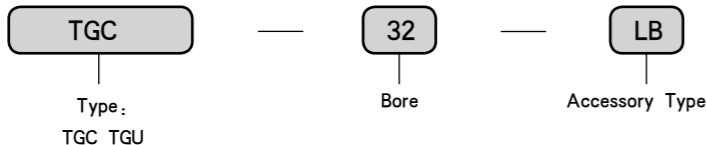


Bore	32	40	50	63	80	100
S	45	52	65	76	94	112
T	32,5	38	46,5	56,5	72	89
D	6,5	6,5	8,5	8,5	10,5	10,5
E	14	17	17	22	24	25
RR	6,5	6,5	9	9,5	11	11,5
CB	34	41	54	65	83	101
CC	22	25	27	32	36	41
CD	10	11	13	16	16	20
CE	10	12	12	16	16	20
CP	26	28	32	40	50	60
CT	45	52	60	70	90	110
PA1	53	60	68	78	100	120
PB1	46,5	53,5	61,5	71,5	91,5	111,5



### TGC/TGU Installing Accessories

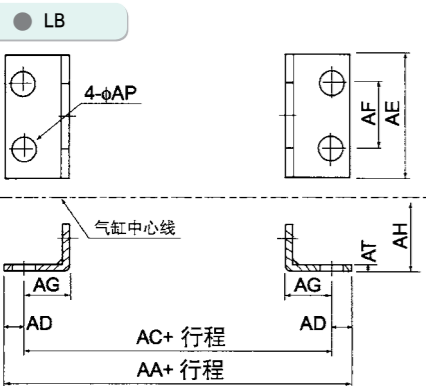
#### Ordering Code



#### Accessories Selection

Type/Accessory	LB	FA	FB	CA	CB	TC
TGU	●	●	●	●	●	●
TGUD/TGUJ	●	●	●	×	×	●
TGC	●	●	●	●	●	●
TGCD/TGCJ	●	●	●	×	×	●
TGCT	●	●	●	×	×	×

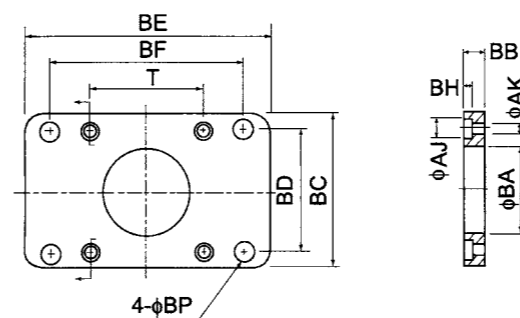
#### Figure Dimension



Bore	32	40	50	63	80	100	125	160	200
AA	153	169	173	184	199	209	290	340	380
AC	134	140	149	158	167	173	250	300	320
AD	9,5	14,5	12	13	16	18	20	20	30
AE	50	57	68	80	97	112	140	180	220
AF	33	36	47	56	70	84	90	115	135
AG	20,5	23,5	28	31	30	30	45	60	70
AH	28	30	36,5	41	49	57	90	115	135
AP	9	12	12	12	14	14	16,5	18,5	24
AT	3	3	3	3	4	4	8	8	9

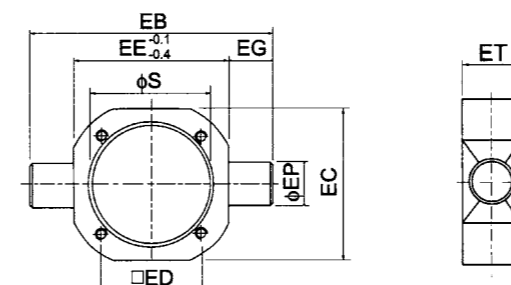
### TGC/TGU Installing Accessories

#### FA FB



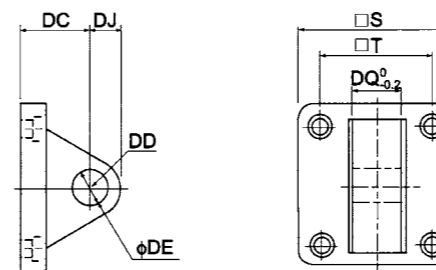
Bore	32	40	50	63	80	100	125	160	200
BA	28,3	32,3	38,3	38,3	47,3	47,3	60,5	65,5	75,5
BB	10	10	10	12	16	16	20	20	25
BC	47	52	65	76	95	115	140	180	220
BD	33	36	47	56	70	84	90	115	135
BE	72	84	104	116	143	162	224	280	320
BF	58	70	86	98	119	138	180	230	270
BH	6,5	6,5	6,5	8,5	10,5	10,5	12,5	12,5	16,5
AJ	10,5	10,5	10,5	13,5	16,5	16,5	19	24,5	25
AK	6,5	6,5	6,5	8,5	10,5	10,5	13	17	17
BP	7	7	9	9	11	11	16,5	18,5	24
T	33	37	47	56	70	84	110	140	175

#### TC



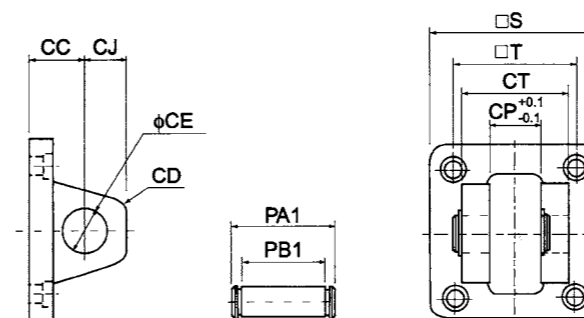
Bore	FB	EC	ED	EE	EG	EP	ET	S
40	113	63	37	63	25	25	30	45,5
50	126	76	47	76	25	25	30	55,5
63	138	88	56	88	25	25	30	68,5
80	164	114	70	114	25	25	35	87,5
100	182	132	84	132	25	25	40	107,5

#### CA



Bore	32	40	50	63	80	100	125	160	200
S	48	50	62	75	94	112	140	180	220
T	33	37	47	56	70	84	110	140	175
DC	34	34	34	34	48	48	50	55	60
DD	14	14	15	15	20	20	25	30	30
DE	12	14	14	14	20	20	25	30	30
DJ	14	14	15	15	20	20	33	35,5	36
DQ	16	20	20	20	32	32	69,7	89,7	89,7

#### CB



Bore	32	40	50	63	80	100	125	160	200
CC	19	19	19	19	32	32	50	55	60
CD	5	5	3	3	8	8	25	30	30
CE	12	14	14	14	20	20	25	30	30
CJ	13	13	15	15	21	21	31	35,5	36
CP	16,3	20,3	20,3	20,3	32,3	32,3	70	90	90
CT	32	44	52	52	64	64	130	170	170
PA1	41	51,8	60,3	60,3	73,8	73,8	139	181	181
PB1	33,5	45,5	54	54	65,5	65,5	130,5	170,5	170,5
S	48	50	62	75	94	112	140	180	220
T	33	37	47	56	70	84	110	140	175

### TGA/TGM/TGL Installing Accessories

Accord : ISO6432

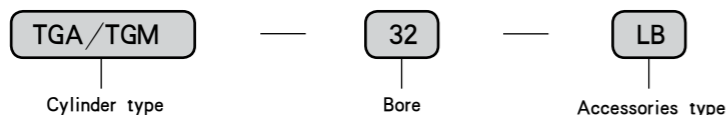


● SDB

● FA

● LB

#### ● Ordering Code



#### ■ Accessories Selection

Type/Accessory	TGA	TGAC	TGSA	TGAD	TGCD	TGAJ	TGACJ	TGAR	TGARC
FA	●	●	●	●	●	●	●	×	×
LB	●	●	●	●	●	●	●	×	×
SDB	●	●	●	×	×	×	×	×	×

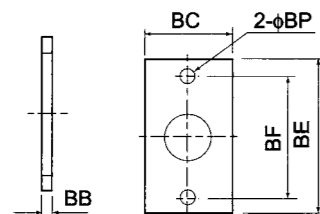
#### ■ Accessories Selection

Type/Accessory	TGM	TGSM	TGMD	TGMJ
FB	●	●	●	●
LB	●	●	●	●
SDB	●	●	×	×

#### ■ Figure Dimension

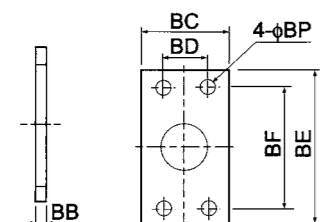
##### ● FA

- $\phi 16 \sim \phi 25$
- $\phi 20 \sim \phi 25$



Bore	BB	BC	BD	BE	BF	BP
16	3	26	—	52	40	5,5
20	4	38	—	64	50	6,5
25	4	38	—	64	50	6,5
32	4	47	33	72	58	6,5
40	4	50	36	84	70	6,5

- $\phi 32 \sim \phi 40$

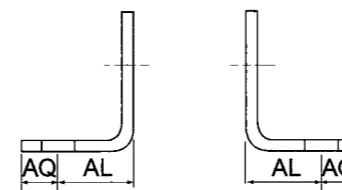


Bore	BB	BC	BD	BE	BF	BP
20	4	38	—	64	50	6,5
25	4	38	—	64	50	6,5
32	4	47	33	72	58	6,5
40	4	50	36	84	70	6,5

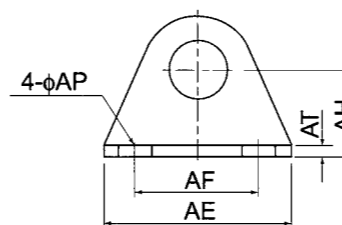
### TGA/TGM/TGL Installing Accessories

Accord : ISO6432

#### ● LB

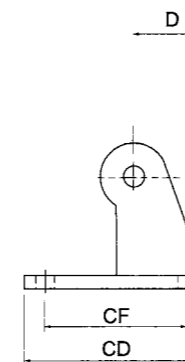


Bore	AE	AF	AL	AO	AP	AT	AH
16	44	32	13	6	5,5	3	20
20	54	40	15	8	6,5	3	25
25	54	40	15	8	6,5	3	25
32	59	45	25	8	6,5	4	32
40	64	50	25	8	6,5	4,5	36

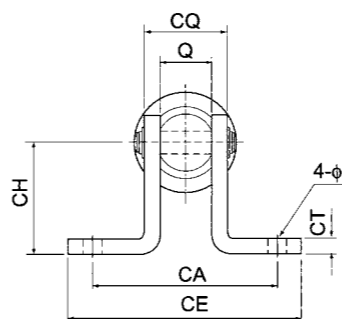


Bore	AE	AF	AL	AO	AP	AT	AH
20	54	40	15	8	6,5	3	25
25	54	40	15	8	6,5	3	25
32	59	45	25	8	6,5	4	32
40	64	50	25	8	6,5	4,5	36

#### ● SDB



Bore	D	Q	CA	CD	CE	CF	CH	CT	CP	CQ
16	16	12	—	23	—	12	20	2,3	5,5	16,5
20	21	16	51	48	67	32	32	3	6,5	22
25	21	16	51	48	67	32	32	3	6,5	22
32	27	16	51	52	67	36	36	4	6,5	24
40	27	20	55	56	71	40	40	4	6,5	28



Bore	D	Q	CA	CD	CE	CF	CH	CT	CP	CQ
20	21	16	51	48	67	32	32	3	6,5	22
25	21	16	51	48	67	32	32	3	6,5	22
32	27	16	51	52	67	36	36	4	6,5	24
40	27	20	55	56	71	40	40	4	6,5	28

### Connecting Accessories

国际通用标准

Rod End Eye-U



Floating Joint-F



Rod End Fork-Y



Rod End Axes-I



#### Ordering Code



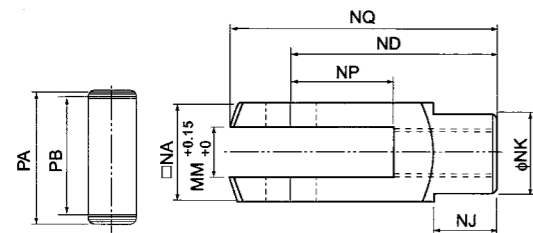
Cylinder type

Bore size

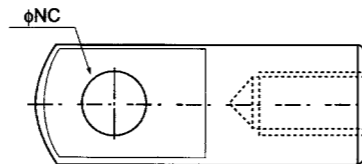
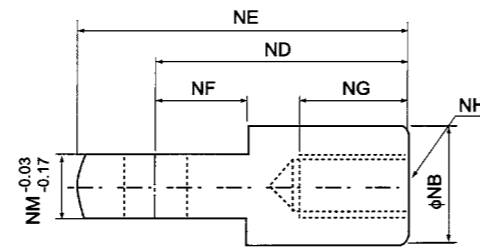
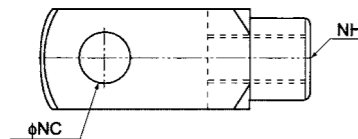
I: Rod End Axes  
Y: Rod End Fork  
F: Floating Joint  
U: Rod End Eye

#### Figure Dimension

Rod End Fork-Y



Rod End Axes-I

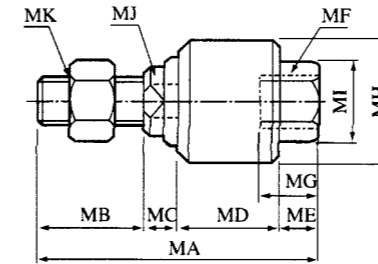


### Connecting Accessories

国际通用标准

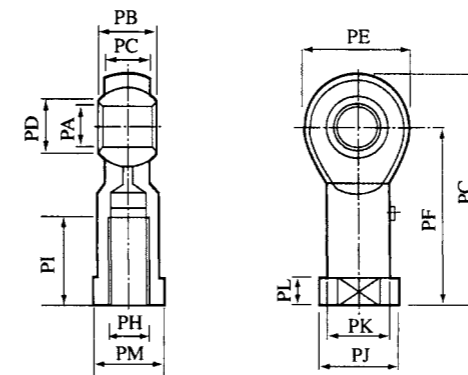
Bore	NA	NB	NC	ND	NE	NF	NG	NH	NJ	NK	NM	NP	NQ	PA	PB
32	19	20	10	40	52	15	20	M10x1.25	12	18	10	20	52	25	19.5
40	25.4	24	12	48	67	24	20	M12x1.25	20	23	12	24	62	32.8	26.5
50	32	32	16	64	89	32	23	M16x1.5	22	30	16	32	83	39.3	33
63	32	32	16	64	89	32	23	M16x1.5	22	30	16	32	83	39.3	33
80	44.4	40	20	80	112	40	30	M20x1.5	30	39	20	40	105	53.3	45
100	44.4	40	20	80	112	40	30	M20x1.5	30	39	20	40	105	53.3	45
125	55	-	30	110	155	50	56	M27x2.0	-	-	30	54	148	64	55.6
160	70	-	35	144	201	50	72	M36x2.0	-	-	35	72	191	80	70.6
200	70	-	35	144	201	50	72	M36x2.0	-	-	35	72	191	80	70.6

Floating Joint-F

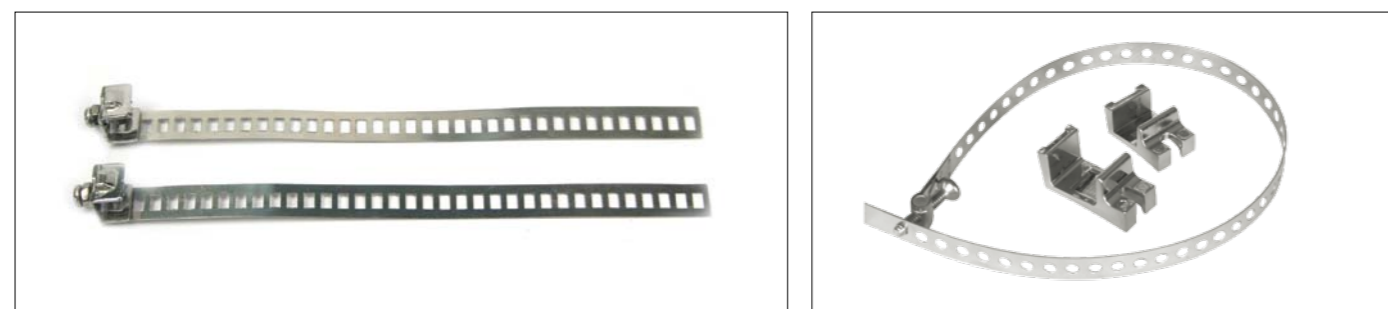
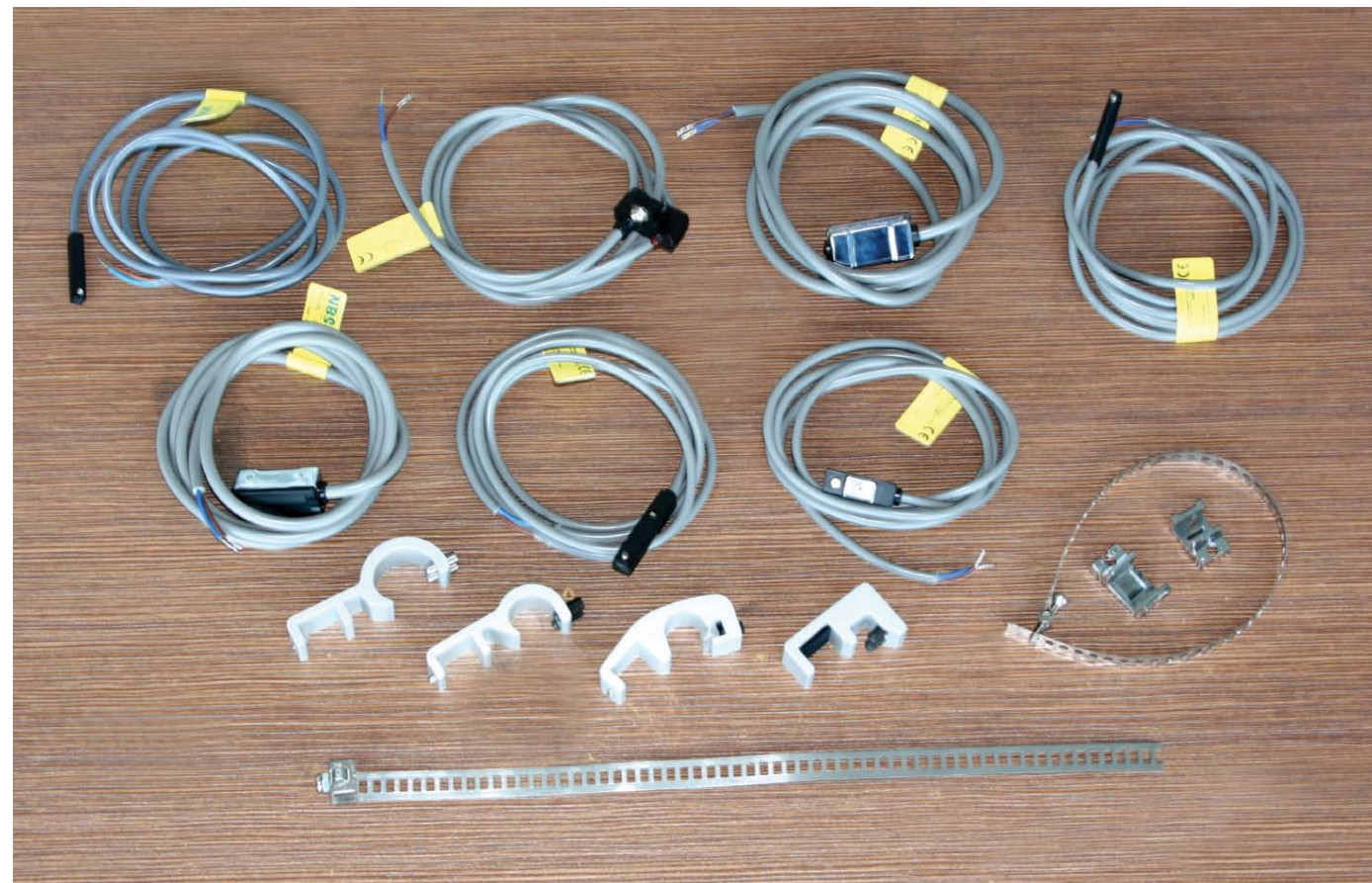


Bore	MA	MB	MC	MD	ME	MF	MG	MH	MI	MJ	MK
20	51	20	6	17	8	M8x1.25	12	24	13	8	M8x1.25
25	58	22	7	21	8	M10x1.25	12	26	17	10	M10x1.25
32	58	22	7	21	8	M10x1.25	12	26	17	10	M10x1.25
40	58	22	8	21	7	M12x1.25	12	28	19	12	M12x1.25
50	90	27	10	41	12	M16x1.5	14	45	27	15	M16x1.5
63	90	27	10	41	12	M16x1.5	14	45	27	15	M16x1.5
80	102	29	13	46	14	M20x1.5	18	53	33	22	M20x1.5
100	102	29	13	46	14	M20x1.5	18	53	33	22	M20x1.5
125	147	54	135	77	16	M27x2.0	40	-	-	24	M27x2.0
160	251	72	18	161	18	M36x2.0	78	-	-	36	M36x2.0
200	251	72	18	161	18	M36x2.0	78	-	-	36	M36x2.0

Rod End Eye-U



Bore	PA	PB	PC	PD	PE	PF	PG	PH	PI	PJ	PK	PL	PM
20	8	12	9	10.4	22	36	47	M8x1.25	17	16	12.5	5	14
25	10	14	11	12.9	26	43	56	M10x1.25	21	19	15	6.5	17
32	10	14	11	12.9	26	43	56	M10x1.25	21	19	15	6.5	17
40	12	16	12	15.4	30	50	65	M12x1.25	24	22	17.5	6.5	19
50	16	21	15	19.3	38	64	83	M16x1.5	33	27	22	8	22
63	16	21	15	19.3	38	64	83	M16x1.5	33	27	22	8	22
80	20	25	18	24.3	46	77	100	M20x1.5	40	34	27.5	10	32
100	20	25	18	24.3	46	77	100	M20x1.5	40	34	27.5	10	32
125	30	-	37	36	70	110	145	M27x2.0	51	-	-	-	-
160	35	-	43	41	80	125	165	M36x2.0	56	-	-	-	-
200	35	-	43	41	50	125	165	M36x2.0	56	-	-	-	-



固定钢带 BK PAB PBM



SC series

IH series

PI series

PM series

● Ordering Code CS1-S — N — 1M — QD  
 Type N: Contactless NPN P: Contactless PNP transistor 1M: 线长 1 米 根据客户需要而定 配 QD 接头 无: 不配 QD 接头

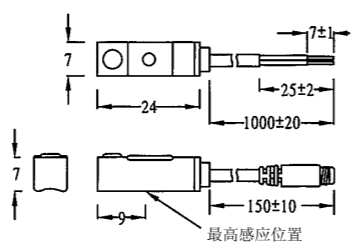
Specification	Type		Size	Voltage	User
Contact/Magneticreed	CS1-U Series			5~240VDC/AC	Used for: TGU TGC TGI
Contactless/NPN output					PAB Band PN Band PI Clamp
Contactless/PNP output	CS1-F Series			5~30VDC	PM Clamp PAC Clamp
Contact/Magneticreed	CS1-J Series			5~240VDC/AC	Used for: TGN
Contactless/NPN output				5~30VDC	
Contactless/PNP output					
Contact/Magneticreed	CS1-S Series			5~240VDC/AC	Used for: TGL TGA TGM
Contactless/NPN output				5~30VDC	
Contactless/PNP output					
Contact/Magneticreed	CS1-M Series			5~240VDC/AC	Used for: TGD
Contactless/NPN output				5~30VDC	
Contactless/PNP output					
Contact/Magneticreed	CS1-H Series			5~240VDC/AC	Used for: CXS
Contactless/NPN output				5~30VDC	Used for: TGN
Contactless/PNP output	CS1-G Series			5~30VDC	
Contact/Magneticreed	CS1-72 Series			5~240VDC/AC	Used for: CQ2
Contactless/NPN output				5~30VDC	
Contactless/PNP output					

CS1-S Series

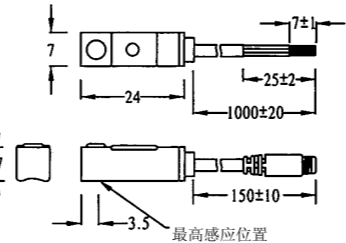


\* CS1-S series used for: TGA, TGL, TGM

CS1-S, CS1-S-QD

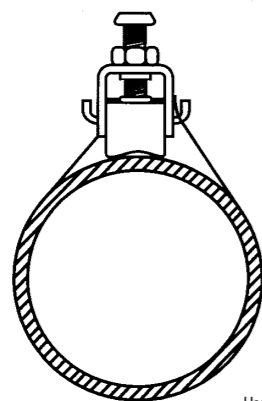


CS1-SP, CS1-SP-QD  
CS1-SN, CS1-SN-QD



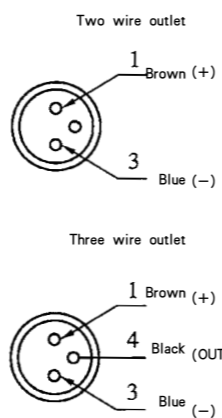
Specification	CS1-S	CS1-SN	CS1-SP
Wire pattern	2-wire type	3-wire type	
Switching logic	SPST Normally open	Solidstate output Normally open	
Output	Magnetic reed contact	Contactless NPN	Contactless PNP transistor
Operating voltage	5~2400V DC/AC	5~30V DC/AC	
Switch current	100mA max.	200mA max.	
Contact rating	10W max.	6W max.	
Current consumption	None	22mA @ 24V max.	20mA @ 24V max.
Voltage drop	3.5V max.	0.5V max.	
Current leakage	None	0.01mA max.	
LED indicator	Green LED	Red LED	Green LED
Wire	3, 3φ, 2C, Gray PVC	3, 3φ, 3C, Black Oil-resistant PU	
Operating Frequency	200Hz	1000Hz	
Tem range		-10~60°C (No Freeze)	
Shock	30G	50G	
Vibration		9G	
Enclosure classification		IEC529 IP67 (NEMA6)	
Protection circuit	None	Power source reverse polarity; Surge suppression	
Current Drawing			

\*CS1-S Series BK mounting band



Used for 6-63 Round cylinder

QD Pinout drawing

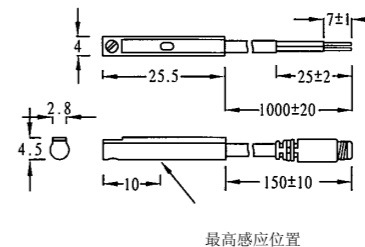


CS1-H Series

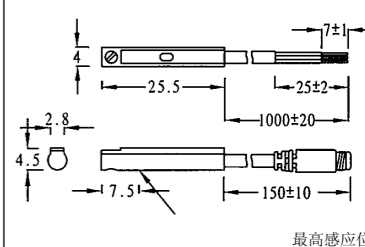


\* CS1-H series used for CXS

CS1-H, CS1-H-QD

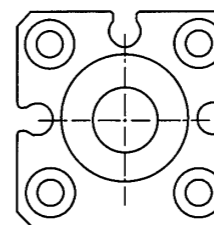
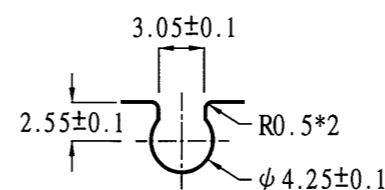


CS1-HP, CS1-HP-QD  
CS1-HN, CS1-HN-QD

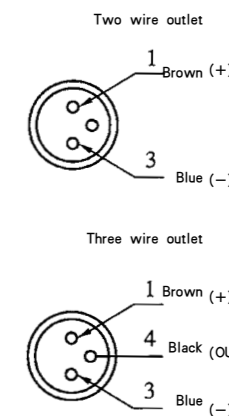


Specification	CS1-H	CS1-HN	CS1-HP
Wire pattern	2-wire type	3-wire type	
Switching logic	SPST Normally open	Solidstate output Normally open	
Output	Magnetic reed contact	Contactless NPN	Contactless PNP transistor
Operating voltage	5~120V DC/AC	5~30V DC	
Switch current	100mA max.	200mA max.	
Contact rating	10W max.	6W max.	
Current consumption	None	20mA @ 24V max. (Switch Active)	
Voltage drop	2.5V max.	0.5V @ 20mA max.	
Current leakage	None	0.01mA max.	
LED indicator	Red LED	Red LED	Green LED
Wire	2, 8φ, 2C, Gray PVC	2, 8φ, 3C, Black Oil-resistant PU	
Operating Frequency	200Hz	1000Hz	
Tem range		-10~60°C (No Freeze)	
Shock	30G	50G	
Vibration		9G	
Enclosure classification		IEC529 IP67 (NEMA6)	
Protection circuit	None	Power source reverse polarity; Surge suppression	
Current Drawing			

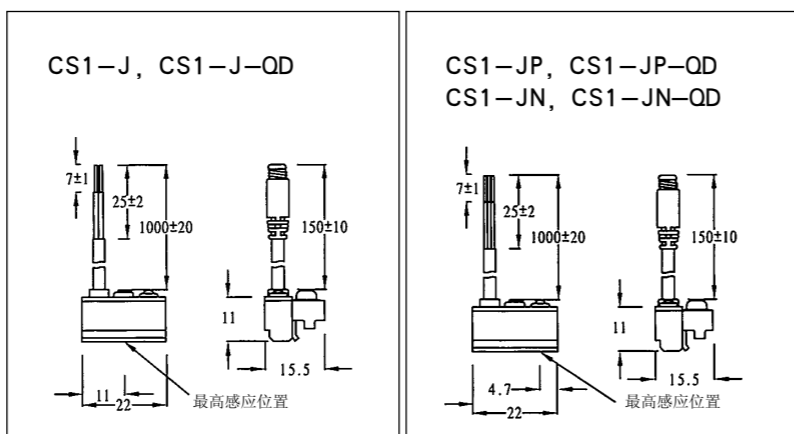
\*CS1-H Series groove size, installation means  
Used for SMC



QD Pinout drawing

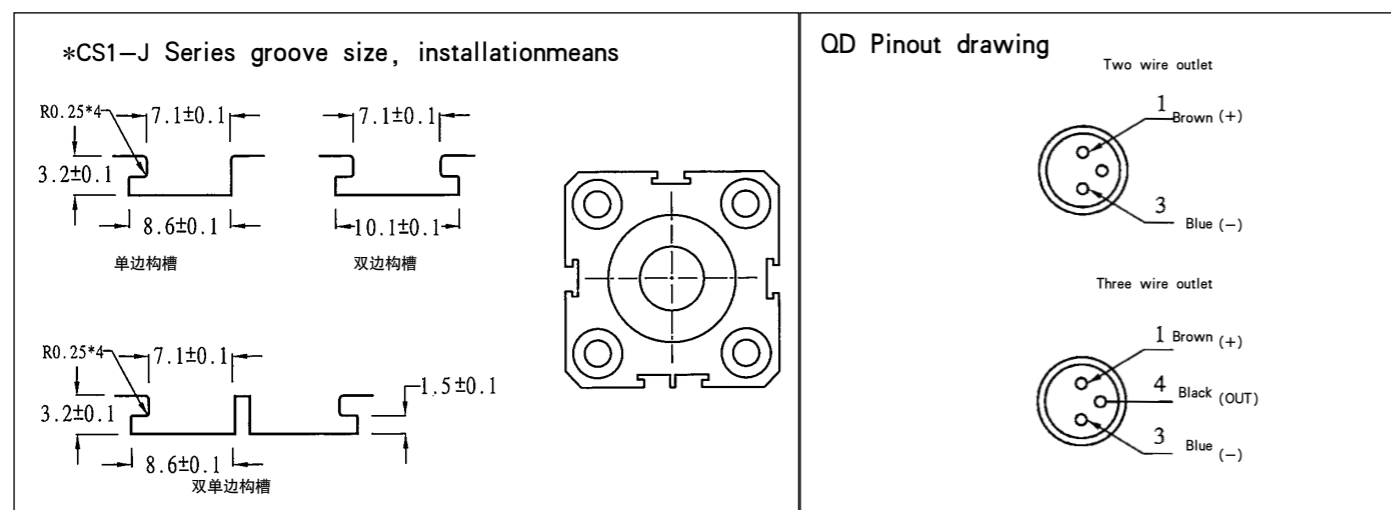


CS1-J Series

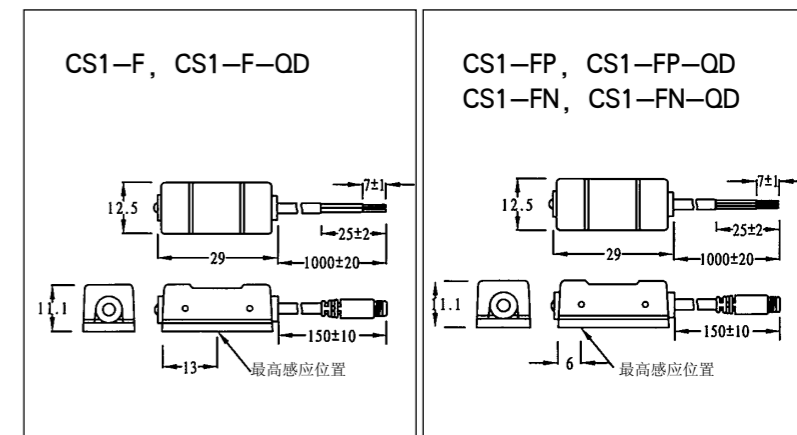


\* CS1-J series used for TGN

Specification	CS1-J	CS1-JN	CS1-JP
Wire pattern	2-wire type	3-wire type	
Switching logic	SPST Normally open	Solidstate output Normally open	
Output	Magnetic reed contact	Contactless NPN	Contactless PNP transistor
Operating voltage	5~240V DC/AC	5~30V DC	
Switch current	100mA max.	200mA max.	
Contact rating	10W max.	6W max.	
Current consumption	None	22mA @ 24V max.	20mA @ 24V max.
Voltage drop	3.5V max.	0.5V max.	
Current leakage	None	0.01mA max.	
LED indicator	Green LED	Red LED	Green LED
Wire	3.3φ, 2C, Gray PVC	3.3φ, 3C, Black Oil-resistant PU	
Operating Frequency	200Hz	1000Hz	
Tem range		-10~60°C (No Freeze)	
Shock	30G	50G	
Vibration		9G	
Enclosure class itication		IEC529 IP67 (NEMA6)	
Protection circuit	None	Power source reverse polarity; Surge suppression	
Current Drawing			

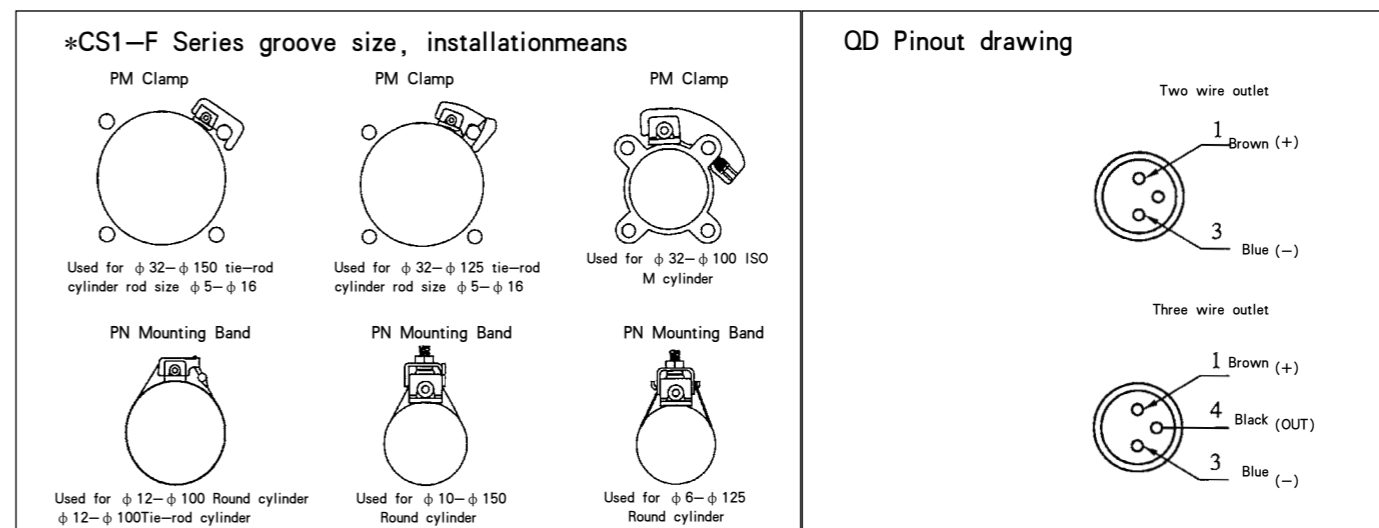


CS1-F Series

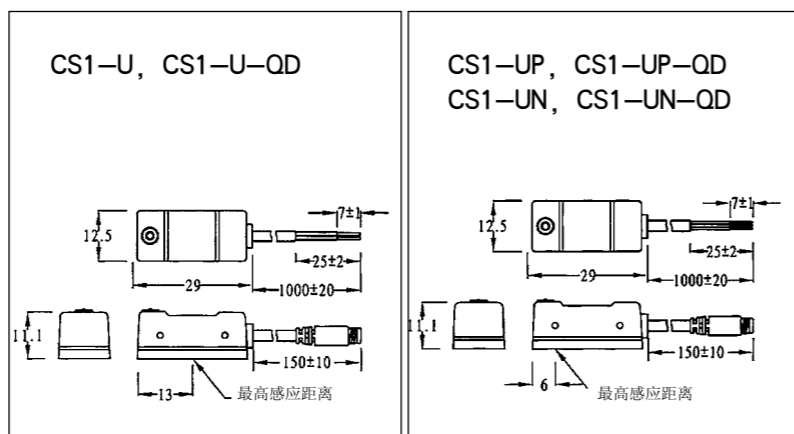


\* CS1-F Series used for TGU, TGC, TGI

Specification	CS1-F	CS1-FN	CS1-FP
Wire pattern	2-wire type	3-wire type	
Switching logic	SPST Normally open	Solidstate output Normally open	
Output	Magnetic reed contact	Contactless NPN	Contactless PNP transistor
Operating voltage	5~240V DC/AC	5~30V DC	
Switch current	100mA max.	200mA max.	
Contact rating	10W max.	6W max.	
Current consumption	None	20mA @ 24V max.	20mA @ 24V max.
Voltage drop	3.5V max.	0.5V max.	
Current leakage	None	0.01mA max.	
LED indicator	Green LED	Red LED	Green LED
Wire	4φ, 2C, Gray PVC	4.0φ, 3C, Black Oil-resistant PU	
Operating Frequency	200Hz	1000Hz	
Tem range		-10~60°C (No Freeze)	
Shock	30G	50G	
Vibration		9G	
Enclosure class itication		IEC529 IP67 (NEMA6)	
Protection circuit	None	Power source reverse polarity; Surge suppression	
Current Drawing			



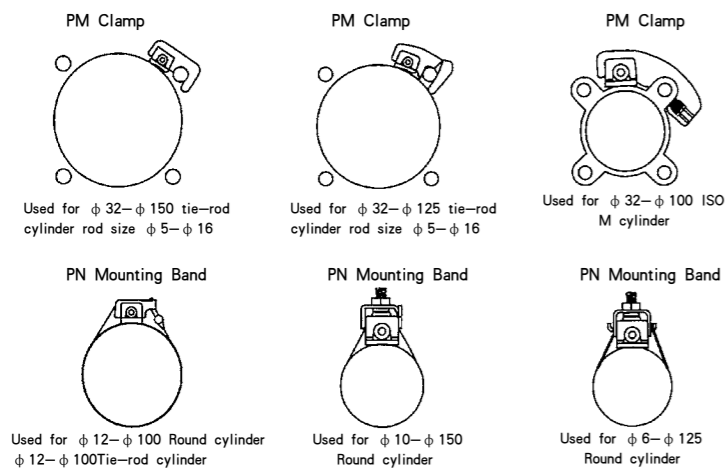
CS1-U Series



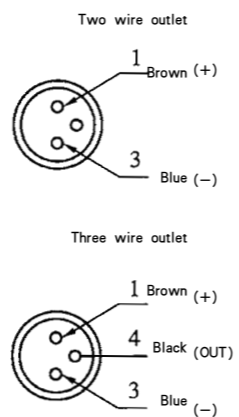
\* CS1-U Series used for: TGU, TGC, TGI

Specitication	CS1-U	CS1-UN	CS1-UP
Wire pattern	2-wire type	3-wire type	
Switching logic	SPST Normally open	Solidstate output Normally open	
Output	Magnetic reed contact	Contactless NPN	Contactless PNP transistor
Operating voltage	5~120V DC/AC	10~30V DC/AC	
Switch current	100mA max.	100mA max.	
Contact rating	10W max.	3W max.	
Current consumption	None	17mA @ 24V max.	14mA @ 24V max.
Voltage drop	3.0V max.	2.0V max.	
Current leakage	None	0.01mA max.	
LED indicator	Green LED	Red LED	Green LED
Wire	2.8φ, 2C, Gray PVC	3.0φ, 3C, Black Oil-resistant PU	
Operating Frequency	200Hz	1000Hz	
Tem range	-10~60°C (No Freeze)		
Shock	30G	50G	
Vibration	9G		
Enclosure class itication	IEC529 IP67 (NEMA6)		
Protection circuit	None	Power source reverse polarity; Surge suppression	
Current Drawing			

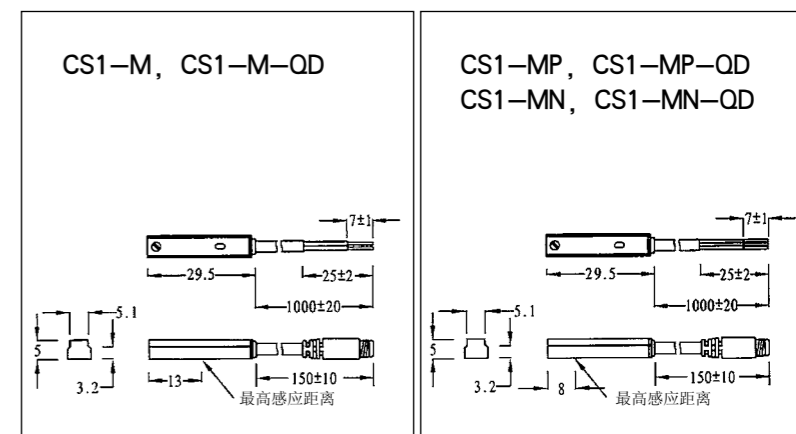
\* CS1-U Series groove size, installation means



QD Pinout drawing



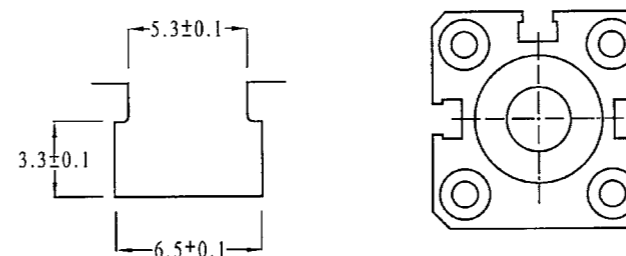
CS1-M Series



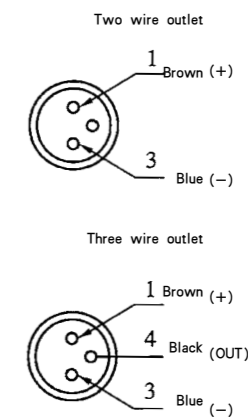
\* CS1-M Series used for: TGD

Specitication	CS1-M	CS1-MN	CS1-MP
Wire pattern	2-wire type	3-wire type	
Switching logic	SPST Normally open	Solidstate output Normally open	
Output	Magnetic reed contact	Contactless NPN	Contactless PNP transistor
Operating voltage	5~120V DC/AC	10~30V DC	
Switch current	100mA max.	100mA max.	
Contact rating	10W max.	3W max.	
Current consumption	None	17mA @ 24V max.	14mA @ 24V max.
Voltage drop	3.0V max.	2.0V max.	
Current leakage	None	0.01mA max.	
LED indicator	Red LED	Red LED	Yellow LED
Wire	2.8φ, 2C, Gray PVC	3.0φ, 3C, Black Oil-resistant PU	
Operating Frequency	200Hz	1000Hz	
Tem range	-10~60°C (No Freeze)		
Shock	30G	50G	
Vibration	9G		
Enclosure class itication	IEC529 IP67 (NEMA6)		
Protection circuit	None	Power source reverse polarity; Surge suppression	
Current Drawing			

\*CS1-M Series groove size, installation means  
Used for: SMC, FESTO



QD Pinout drawing

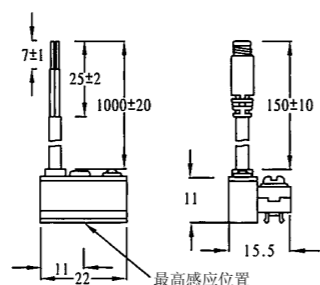


### Magnetic switch

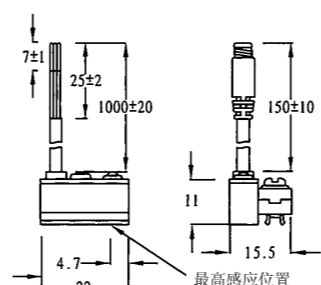
#### CS1-72 Series



CS1-72, CS1-72-QD



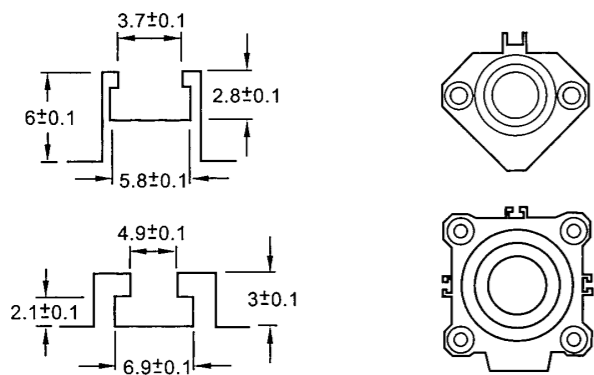
CS1-72P, CS1-72P-QD  
CS1-72N, CS1-72N-QD



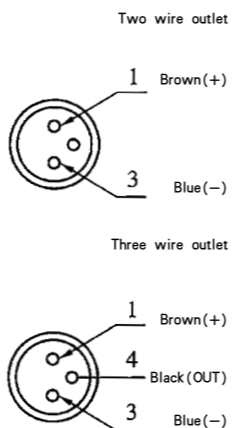
\* CS1-72 series used for: CQ2

Specitation	CS1-72	CS1-72N	CS1-72P
配Wire pattern	2-wire type	3-wire type	
Switching logic	SPST Normally open	Solidstate output Normally open	
Output	Magnetic reed contact	Contactless NPN	Contactless PNP transistor
Operating voltage	5-240V DC/AC	5-30V DC	
Switch current	100mA max.	200mA max.	
Contact rating	10W max.	6W max.	
Current consumption	None	22mA @ 24V max.	20mA @ 24V max.
Voltage drop	3.5V max.	0.5V max.	
Current leakage	None	0.01mA max.	
LED indicator	Green LED	Red LED	Green LED
Wire	3.3耳2CとGray PVC	3.3耳2CとBlack Oil-resistant PU	
Operating Frequency	200Hz	1000Hz	
Tem range		-10~60°C (No Freeze)	
Shock	30G	50G	
Vibration		9G	
Enclosure class itication		IEC529 IP67 (NEMA6)	
Protection circuit	None	Power source reverse polarity; Surge suppression	
Current Drawing			

\*CS1-72 Series groove dimensional drawing  
Used to SMC



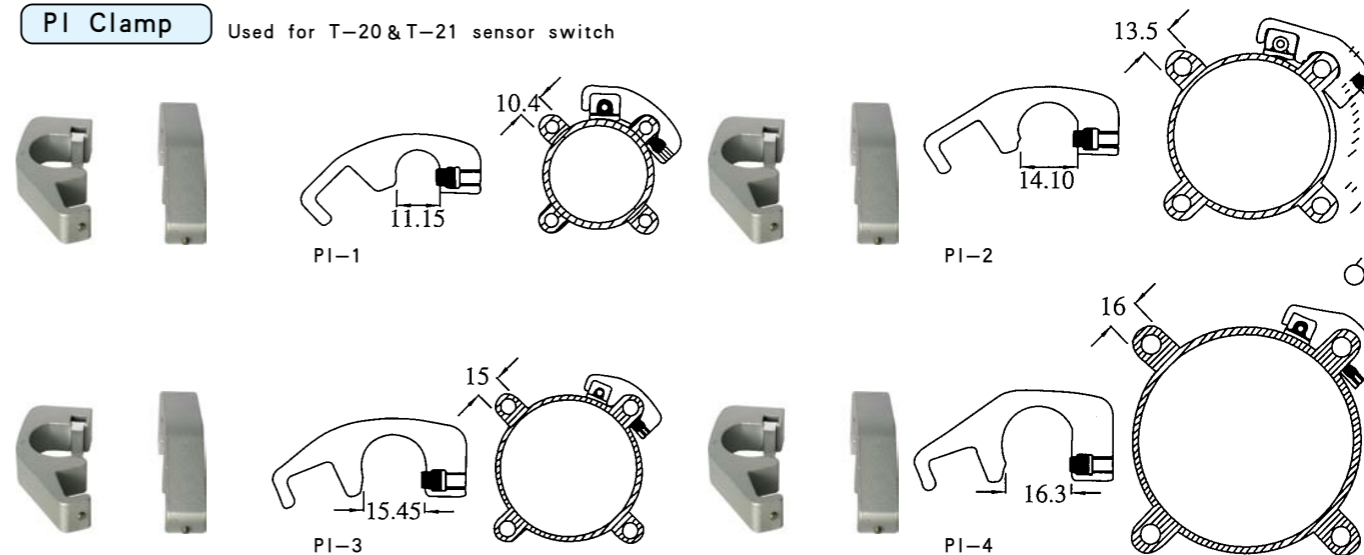
QD Pinout drawing



### Clamp

#### PI Clamp

Used for T-20 & T-21 sensor switch



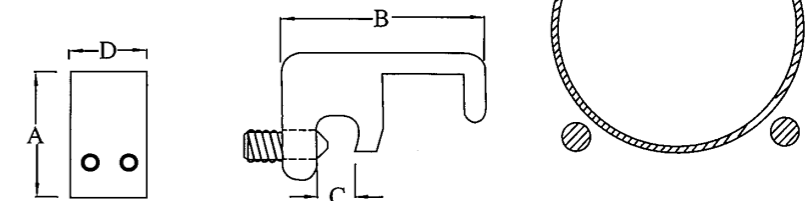
Suitable for: φ32-φ100 ISO profile cylinder

#### PI Clamp

Used for T-20 & T-21 sensor switch



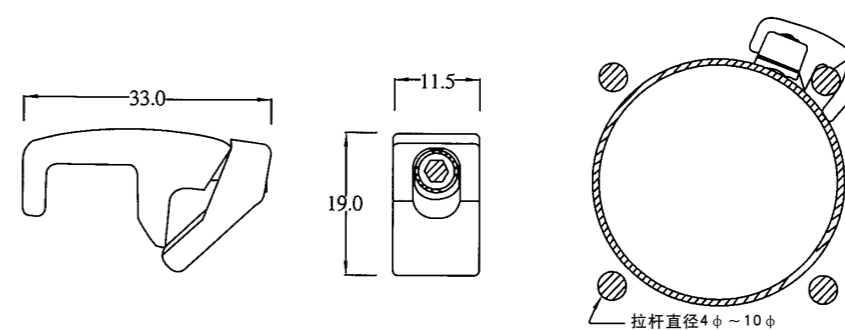
Size	Type	A	B	C	D
PM-6	19	31.0	6.5	12	
PM-6	20	34.5	8.0	12	
PM-6	18	33.0	10	12	
PM-6	20	35.5	12	12	
PM-6	24	40.0	16	12	



Suitable for: φ32-φ100 air, hydraulic cylinder (With tie-rod)

#### PI Clamp

Used for T-20 & T-21 sensor switch



Suitable for: φ32-φ100 pole cyoinder, air or hydraulic





## Quick Coupler

### Character

1. Quick installation, simple and flexible, space-saving
2. The tube fitting comes in a wide variety of models to meet all your needs in pneumatic piping
3. Even after installation, the direction of tubing can be changed freely
4. The release ring adopts the ellipse design to make it more convenient and labor-saving for disconnection
5. All taper pipe threads are pre-coated with Teflon with fine seal performance
6. All fittings are equipped with the internal hexagonal holes. It is easy for them to be mounted in the narrow places.

### INSTRUCTION

1. Never try to pulled, convoluted, curled by adding another strength, otherwise the fitting maybe be damaged.
2. The fitting will be damaged because of hot and the function of water break up, when the medium temperature over than 60°C.
3. Never use other medium except water and air

### Ordering Code

$\begin{matrix} Y & - & PC & 8 & - & 01 \\ | & & | & | & & | \\ Y: White (Brass) & & Type & Tube O.D. & & Thread \\ T: Black (Alloy) & & & & & \end{matrix}$

### Style and Dimension of Screw Thread

Metric Screw Thread

Serial Number	M5	M6	M8	M10	M12	M12A	M16
Size	M5x0.8	M6x1	M8x1	M10x1	M12x1.25	M12x1.5	M16x1.5

Cone Tube Thread

Serial Number	01	02	03	04		
Size	R1/8	R1/4	R3/8	R1/2		

Straight Tub Thread

Serial Number	G01	G02	G03	G04		
Size	G1/8	G1/4	G3/8	G1/2		

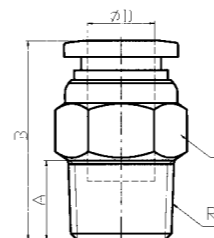
### Technical Parameter

Medium	Air
Pressure Range	0 ~ 0.8 MPa
Resistant Pressure	1.5 Mpa
Applicable Temperature Range	-10 ~ 60°C (No Freeze)
Air Tube	PU or PA

Type	φ D	R	A	B	H
YPC4-M5	4	M5	4	19	10
YPC4-01	4	R1/8	7	20	10
YPC4-02	4	R1/4	9.5	20	14
YPC6-M5	6	M5	4	20.5	12
YPC6-01	6	R1/8	7	20.5	12
YPC6-02	6	R1/4	9.5	21	14
YPC6-03	6	R3/8	10.5	21.5	17
YPC6-04	6	R1/2	13	24.5	21
YPC8-01	8	R1/8	7	25.5	14
YPC8-02	8	R1/4	9.5	25	14
YPC8-03	8	R3/8	10.5	23	17
YPC8-04	8	R1/2	13	24.5	21
YPC10-01	10	R1/8	7	27	17
YPC10-02	10	R1/4	9.5	29.5	17
YPC10-03	10	R3/8	10.5	28	17
YPC10-04	10	R1/2	13	26	21
YPC12-02	12	R1/4	9.5	31	19
YPC12-03	12	R3/8	10.5	28.5	19
YPC12-04	12	R1/2	13	28.5	21
YPC16-03	16	R3/8	12	39.5	24
YPC16-04	16	R1/2	15	42	24



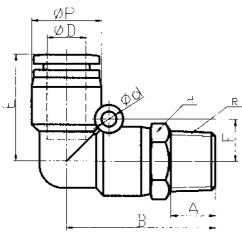
● YPC/TPC Threaded Through



Quick Coupler



● YPL/TPL L  
Screw Double Union

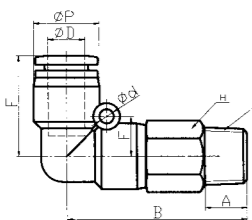


Type	φD	E	B	φP	A	R	H	F	φd
YPL4-M5	4	16.8	21.3	10.5	4	M5	10	-	-
YPL4-01	4	16.8	24.3	10.5	7	R1/8	10	-	-
YPL4-02	4	16.8	26.8	10.5	9.5	R1/4	14	-	-
YPL6-M5	6	19	23	13	4	M5	12	8	3.2
YPL6-01	6	19	26	13	7	R1/8	12	8	3.2
YPL6-02	6	19	28.5	13	9.5	R1/4	14	8	3.2
YPL6-03	6	19	30	13	10.5	R3/8	17	8	3.2
YPL6-04	6	19	34	13	13	R1/2	21	8	3.2
YPL8-01	8	23	29.5	14.4	7	R1/8	14	9	3.2
YPL8-02	8	23	32	14.4	9.5	R1/4	14	9	3.2
YPL8-03	8	23	33	14.4	10.5	R3/8	17	9	3.2
YPL8-04	8	23	37	14.4	13	R1/2	21	9	3.2
YPL10-01	10	27.5	33.5	18.4	7	R1/8	17	12	4.2
YPL10-02	10	27.5	36	18.4	9.5	R1/4	17	12	4.2
YPL10-03	10	27.5	37	18.4	10.5	R3/8	17	12	4.2
YPL10-04	10	27.5	41	18.4	13	R1/2	21	12	4.2
YPL12-02	12	30	38	20	9.5	R1/4	19	13.2	4.2
YPL12-03	12	30	39	20	10.5	R3/8	19	13.2	4.2
YPL12-04	12	30	43	20	13	R1/2	21	13.2	4.2
YPL16-03	16	33.3	44.3	25.6	12	R3/8	24	-	-
YPL16-04	16	33.3	47.3	25.6	15	R1/2	24	-	-

Type	φD	E	B	φP	A	R	H	F	φd
YPLL4-M5	4	16.8	32.3	10.5	4	M5	10	-	-
YPLL4-01	4	16.8	35.3	10.5	7	R1/8	10	-	-
YPLL4-02	4	16.8	37.8	10.5	9.5	R1/4	14	-	-
YPLL6-M5	6	19	35	13	4	M5	12	8	3.2
YPLL6-01	6	19	38	13	7	R1/8	12	8	3.2
YPLL6-02	6	19	41	13	9.5	R1/4	14	8	3.2
YPLL6-03	6	19	43	13	10.5	R3/8	17	8	3.2
YPLL6-04	6	19	47	13	13	R1/2	21	8	3.2
YPLL8-01	8	23	43	14.4	7	R1/8	14	9	3.2
YPLL8-02	8	23	46	14.4	9.5	R1/4	14	9	3.2
YPLL8-03	8	23	47	14.4	10.5	R3/8	17	9	3.2
YPLL8-04	8	23	52	14.4	13	R1/2	21	9	3.2
YPLL10-01	10	27.5	49.5	18.4	7	R1/8	17	12	4.2
YPLL10-02	10	27.5	52	18.4	9.5	R1/4	17	12	4.2
YPLL10-03	10	27.5	54	18.4	10.5	R3/8	17	12	4.2
YPLL10-04	10	27.5	58	18.4	13	R1/2	21	12	4.2
YPLL12-02	12	30	58	20	9.5	R1/4	19	13.2	4.2
YPLL12-03	12	30	59	20	10.5	R3/8	19	13.2	4.2
YPLL12-04	12	30	63	20	13	R1/2	21	13.2	4.2



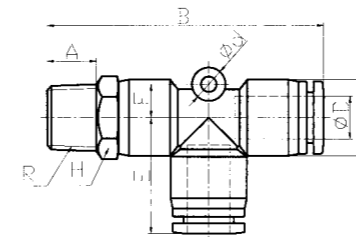
● YPLL/TPLL L  
Extended Male Elbow



Quick Coupler



● YPD/TPD  
Male Branch T

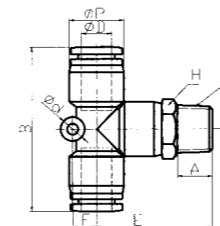


Type	φD	E	B	φP	A	R	H	F	φd
YPD4-M5	4	17	40	10.5	4	M5	10	5	3.2
YPD4-01	4	17	43	10.5	7	R1/8	10	5	3.2
YPD4-02	4	17	45.5	10.5	9.5	R1/4	14	5	3.2
YPD6-M5	6	19	41.5	13	4	M5	12	5.5	3.2
YPD6-01	6	19	44.5	13	7	R1/8	12	5.5	3.2
YPD6-02	6	19	47	13	9.5	R1/4	14	5.5	3.2
YPD6-03	6	19	48.5	13	10.5	R3/8	17	5.5	3.2
YPD6-04	6	19	52.5	13	13	R1/2	21	5.5	3.2
YPD8-01	8	22.5	51.5	14.4	7	R1/8	14	6.5	3.2
YPD8-02	8	22.5	54	14.4	9.5	R1/4	14	6.5	3.2
YPD8-03	8	22.5	55	14.4	10.5	R3/8	17	6.5	3.2
YPD8-04	8	22.5	59	14.4	13	R1/2	21	6.5	3.2
YPD10-01	10	28	62	18.4	7	R1/8	17	8	4.2
YPD10-02	10	28	64.5	18.4	9.5	R1/4	17	8	4.2
YPD10-03	10	28	65.5	18.4	10.5	R3/8	17	8	4.2
YPD10-04	10	28	69.5	18.4	13	R1/2	21	8	4.2
YPD12-02	12	31	68	20	9.5	R1/4	19	8.5	4.2
YPD12-03	12	31	69	20	10.5	R3/8	19	8.5	4.2
YPD12-04	12	31	72.5	20	13	R1/2	21	8.5	4.2

Type	φD	E	B	φP	A	R	H	F	φd
YPB4-M5	4	21.5	35.5	10.5	4	M5	10	5	3.2
YPB4-01	4	24.5	35.5	10.5	7	R1/8	10	5	3.2
YPB4-02	4	27	35.5	10.5	9.5	R1/4	14	5	3.2
YPB6-M5	6	23	37.5	13	4	M5	12	5.5	3.2
YPB6-01	6	26	37.5	13	7	R1/8	12	5.5	3.2
YPB6-02	6	28.5	37.5	13	9.5	R1/4	14	5.5	3.2
YPB6-03	6	30	37.5	13	10.5	R3/8	17	5.5	3.2
YPB6-04	6	34	37.5	13	13	R1/2	21	5.5	3.2
YPB8-01	8	29	45	14.4	7	R1/8	14	6.5	3.2
YPB8-02	8	31.5	45	14.4	9.5	R1/4	14	6.5	3.2
YPB8-03	8	32.5	45	14.4	10.5	R3/8	17	6.5	3.2
YPB8-04	8	36.5	45	14.4	13	R1/2	21	6.5	3.2
YPB10-01	10	34	56	18.4	7	R1/8	17	8	4.2
YPB10-02	10	35	56	18.4	9.5	R1/4	17	8	4.2
YPB10-03	10	37.5	56	18.4	10.5	R3/8	17	8	4.2
YPB10-04	10	41.5	56	18.4	13	R1/2	21	8	4.2
YPB12-02	12	39	60	20	9.5	R1/4	19	8.5	4.2
YPB12-03	12	40	60	20	10.5	R3/8	19	8.5	4.2
YPB12-04	12	43.5	60	20	13	R1/2	21	8.5	4.2
YPB16-03	16	44.3	63	25.6	12	R3/8	24	-	-
YPB16-04	16	47.3	63	25.6	15	R1/2	24	-	-



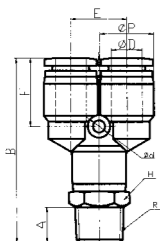
● YPB/TPB  
Male Run T



Quick Coupler



● YPX/TPX  
Thread Y

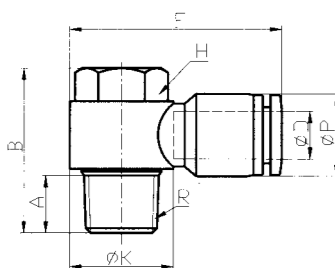


Type	φ D	E	B	φ P	A	R	H	F	φ d
YPX4-M5	4	10.5	39	10.5	4	M5	10	13.5	-
YPX4-01	4	10.5	42	10.5	7	R1/8	10	13.5	-
YPX4-02	4	10.5	44.5	10.5	9.5	R1/4	14	13.5	-
YPX6-M5	6	13	40.5	13	4	M5	12	14.5	3.2
YPX6-01	6	13	43.5	13	7	R1/8	12	14.5	3.2
YPX6-02	6	13	46	13	9.5	R1/4	14	14.5	3.2
YPX6-03	6	13	47.5	13	10.5	R3/8	17	14.5	3.2
YPX6-04	6	13	51.5	13	13	R1/2	21	14.5	3.2
YPX8-01	8	14.5	47.5	14.4	7	R1/8	14	18.5	3.2
YPX8-02	8	14.5	50	14.4	9.5	R1/4	14	18.5	3.2
YPX8-03	8	14.5	51	14.4	10.5	R3/8	17	18.5	3.2
YPX8-04	8	14.5	55	14.4	13	R1/2	21	18.5	3.2
YPX10-01	10	18.5	56	18.4	7	R1/8	17	21	4.2
YPX10-02	10	18.5	58.5	18.4	9.5	R1/4	17	21	4.2
YPX10-03	10	18.5	59.5	18.4	10.5	R3/8	17	21	4.2
YPX10-04	10	18.5	63.5	18.4	13	R1/2	21	21	4.2
YPX12-02	12	20	63	20	9.5	R1/4	19	22.5	4.2
YPX12-03	12	20	64	20	10.5	R3/8	19	22.5	4.2
YPX12-04	12	20	67.5	20	13	R1/2	21	22.5	4.2

IV



● YPH/TPH  
Hexagon Socket Head Universal Elbow

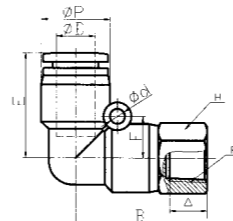


Type	φ D	E	B	φ P	A	R	H	φ K
YPH4-M5	4	24	18	10.5	3.5	M5	10	10
YPH4-01	4	28	25	10.5	7	R1/8	10	14
YPH4-02	4	32	29	10.5	10	R1/4	14	15
YPH6-M5	6	28	18	13	3.5	M5	12	10
YPH6-01	6	32	25	13	7	R1/8	12	14
YPH6-02	6	36	29	13	10	R1/4	14	18
YPH6-03	6	40	34.5	13	11	R3/8	17	22
YPH6-04	6	45.5	39	13	13	R1/2	21	27.5
YPH8-01	8	32.5	25	14.4	7	R1/8	14	14
YPH8-02	8	36.5	29	14.4	10	R1/4	14	18
YPH8-03	8	40.5	34.5	14.4	11	R3/8	17	22
YPH8-04	8	46	39	14.4	13	R1/2	21	27.5
YPH10-01	10	34.5	25	18.4	7	R1/8	17	14
YPH10-02	10	38.5	29	18.4	10	R1/4	17	18
YPH10-03	10	42.5	34.5	18.4	11	R3/8	17	22
YPH10-04	10	48	39	18.4	13	R1/2	21	27.5
YPH12-02	12	41.5	29	20	10	R1/4	19	18
YPH12-03	12	45.5	34.5	20	11	R3/8	19	22
YPH12-04	12	51	39	20	13	R1/2	21	27.5

Quick Coupler



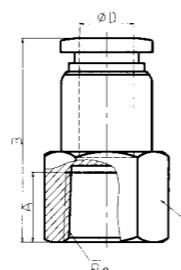
● YPLF/TPLF  
Female Elbow Union



Type	φ D	E	B	φ P	A	Rc	H	F	φ d
YPLF4-M5	4	16.8	18.3	10.5	4	M5	10	-	-
YPLF4-01	4	16.8	22.8	10.5	7	Rc1/8	14	-	-
YPLF4-02	4	16.8	25.8	10.5	10	Rc1/4	17	-	-
YPLF6-M5	6	19	21.8	13	4	M5	12	8	3.2
YPLF6-01	6	19	24.8	13	7	Rc1/8	12	8	3.2
YPLF6-02	6	19	27.8	13	10	Rc1/4	17	8	3.2
YPLF6-03	6	19	28.8	13	11	Rc3/8	21	8	3.2
YPLF6-04	6	19	30.8	13	13	Rc1/2	24	8	3.2
YPLF8-01	8	23	27	14.4	7	Rc1/8	14	9	3.2
YPLF8-02	8	23	31	14.4	10	Rc1/4	17	9	3.2
YPLF8-03	8	23	32	14.4	11	Rc3/8	21	9	3.2
YPLF8-04	8	23	34	14.4	13	Rc1/2	24	9	3.2
YPLF10-01	10	27.5	31	18.4	7	Rc1/8	17	12	4.2
YPLF10-02	10	27.5	35	18.4	10	Rc1/4	17	12	4.2
YPLF10-03	10	27.5	36	18.4	11	Rc3/8	21	12	4.2
YPLF10-04	10	27.5	38	18.4	13	Rc1/2	24	12	4.2
YPLF12-02	12	30	36.5	20	10	Rc1/4	21	13.2	4.2
YPLF12-03	12	30	37.5	20	11	Rc3/8	21	13.2	4.2
YPLF12-04	12	30	39.5	20	13	Rc1/2	24	13.2	4.2



● YPCF/TPCF  
Female Straight Union



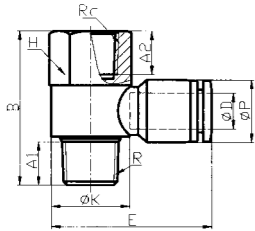
Type	φ D	Rc	A	B	H
YPCF4-M5	4	M5	4	21	10
YPCF4-01	4	Rc1/8	7	23.5	14
YPCF4-02	4	Rc1/4	9.5	26.5	17
YPCF6-M5	6	M5	4	21	12
YPCF6-01	6	Rc1/8	7	24	12
YPCF6-02	6	Rc1/4	9.5	27	17
YPCF6-03	6	Rc3/8	10.5	28	21
YPCF6-04	6	Rc1/2	13	30	24
YPCF8-01	8	Rc1/8	7	27	14
YPCF8-02	8	Rc1/4	9.5	30	17
YPCF8-03	8	Rc3/8	10.5	31	21
YPCF8-04	8	Rc1/2	13	33	24
YPCF10-01	10	Rc1/8	7	28.5	17
YPCF10-02	10	Rc1/4	9.5	31.5	17
YPCF10-03	10	Rc3/8	10.5	32.5	21
YPCF10-04	10	Rc1/2	13	34.5	24
YPCF12-02	12	Rc1/4	9.5	32.5	21
YPCF12-03	12	Rc3/8	10.5	33.5	21
YPCF12-04	12	Rc1/2	13	35.5	24

IV

Quick Coupler



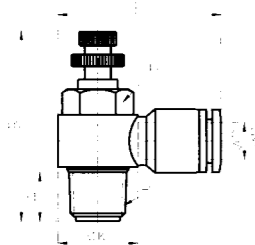
● YPHF/TPHF  
Universal Female Elbow



Type	ϕD	E	B	ϕP	A1	A2	Rc	R	H	ϕK
YPHF4-M5	4	24	19	10.5	3.5	4	M5	M5	8	10
YPHF4-01	4	28	29.5	10.5	7	7	Rc1/8	R1/8	12	14
YPHF4-02	4	32	35.5	10.5	10	10	Rc1/4	R1/4	17	15
YPHF6-M5	6	28	19	13	3.5	4	M5	M5	8	10
YPHF6-01	6	32	29.5	13	7	7	Rc1/8	R1/8	12	14
YPHF6-02	6	36	35.5	13	10	10	Rc1/4	R1/4	17	18
YPHF6-03	6	44.0	41.5	13	11	11	Rc3/8	R3/8	21	22
YPHF6-04	6	45.5	48.5	13	13	13	Rc1/2	R1/2	24	27.5
YPHF8-01	8	32.5	29.5	14.4	7	7	Rc1/8	R1/8	12	14
YPHF8-02	8	36.5	35.5	14.4	10	10	Rc1/4	R1/4	17	18
YPHF8-03	8	40.5	41.5	14.4	11	11	Rc3/8	R3/8	21	22
YPHF8-04	8	46	48.5	14.4	13	13	Rc1/2	R1/2	24	27.5
YPHF10-01	10	34.5	29.5	18.4	7	7	Rc1/8	R1/8	12	14
YPHF10-02	10	38.5	35.5	18.4	10	10	Rc1/4	R1/4	17	18
YPHF10-03	10	42.5	41.5	18.4	11	11	Rc3/8	R3/8	21	22
YPHF10-04	10	48	48.5	18.4	13	13	Rc1/2	R1/2	24	27.5
YPHF12-02	12	41.5	35.5	20	10	10	Rc1/4	R1/4	17	18
YPHF12-03	12	45.5	41.5	20	11	11	Rc3/8	R3/8	21	22
YPHF12-04	12	51	48.5	20	13	13	Rc1/2	R1/2	24	27.5

Type	ϕD	E	B	ϕP	A	R	H	ϕK
YSC4-M5	4	24	28	10.5	3.5	M5	8	10
YSC4-01	4	28	37	10.5	7.5	R1/8	12	14
YSC4-02	4	32	44.5	10.5	11	R1/4	14	15
YSC6-M5	6	28	28	13	3.5	M5	8	10
YSC6-01	6	32	37	13	7.5	R1/8	12	14
YSC6-02	6	36	44.5	13	11	R1/4	14	18
YSC6-03	6	40	48	13	12	R3/8	19	22
YSC6-04	6	45.5	52.5	13	12.5	R1/2	24	27.5
YSC8-01	8	32.5	37	14.4	7.5	R1/8	12	14
YSC8-02	8	36.5	44.5	14.4	11	R1/4	14	18
YSC8-03	8	40.5	48	14.4	12	R3/8	19	22
YSC8-04	8	46	52.5	14.4	12.5	R1/2	24	27.5
YSC10-01	10	34.5	37	18.4	7.5	R1/8	12	14
YSC10-02	10	38.5	44.5	18.4	11	R1/4	14	18
YSC10-03	10	42.5	48	18.4	12	R3/8	19	22
YSC10-04	10	48	52.5	18.4	12.5	R1/2	24	27.5
YSC12-02	12	41.5	44.5	20	11	R1/4	14	18
YSC12-03	12	45.5	48	20	12	R3/8	19	22
YSC12-04	12	51	52.5	20	12.5	R1/2	24	27.5

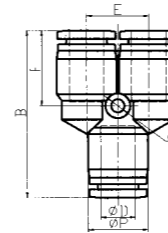
● YSC/TSC  
Speed Controller (L type)



Quick Coupler



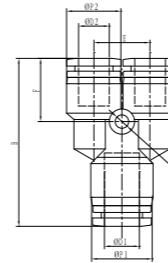
● YPY/TPY Union Y



Type	ϕD	B	ϕP	E	F	ϕd
YPY4	4	34.5	10.5	10.5	13.5	3.2
YPY6	6	36.5	13	13	14.5	3.2
YPY8	8	41	14.4	14.5	18.5	3.2
YPY10	10	50	18.4	18.5	21	4.2
YPY12	12	55	20	20	22.5	4.2
YPY16	16	55	28.6	26	-	-



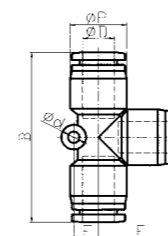
● YPYW Y型变径三通



Type	ϕD1	ϕD2	B	ϕP1	ϕP2	E	F	ϕd
YPYW6-4	6	4	36	13	10.5	10.5	13.5	3.2
YPYW8-6	8	6	38	14.4	13	13	14.5	3.2
YPYW10-8	10	8	43	18.4	14.4	14.5	18.5	3.2
YPYW12-10	12	10	53	20	18.4	18.5	21	4.2



● YPE/TPE Union T

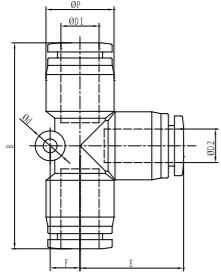


Type	ϕD	B	ϕP	E	F	ϕd
YPE4	4	35.5	10.5	17	5	3.2
YPE6	6	37.5	13	19	5.5	3.2
YPE8	8	45	14.4	22.5	6.5	3.2
YPE10	10	56	18.4	28	8	4.2
YPE12	12	60	20	31	8.5	4.2
YPE16	16	62	25.6	31	-	-

Quick Coupler



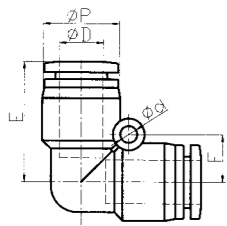
● YPEW T型变径三通



Type	ΦD1	ΦD2	B	φP	E	F	φd
YPEW6-4	6	4	37.5	13	19	5.5	3.2
YPEW8-6	8	6	45	14.4	22.5	6.5	3.2
YPEW10-8	10	8	56	18.4	28	8	4.2
YPEW12-10	12	10	60	20	31	8.5	4.2



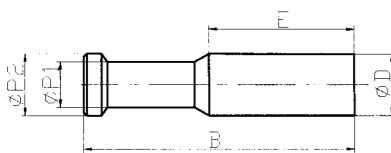
● YPV/TPV Union L



Type	φD	E	φp	F	φd
YPV4	4	16.8	10.5	—	—
YPV6	6	19	13	8	3.2
YPV8	8	23	14.4	9	3.2
YPV10	10	27.5	18.4	12	4.2
YPV12	12	30	20	13.2	4.2



● YPP/TPP Plug

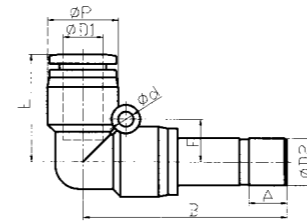


Type	φD	E	φP2	B	φP
YPP4	4	16	4	28	3
YPP6	6	17	6	32	4
YPP8	8	18.5	8	39	5
YPP10	10	21	10	42	8
YPP12	12	22.5	12	44	8

Quick Coupler



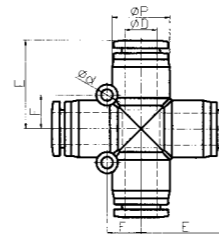
● YPLGJ/TPLGJ  
Different Dia Union L



Type	φD1	E	B	φP	A	φD2	F	φd
YPLGJ6-4	4	16.8	32.3	10.5	6	6	—	—
YPLGJ8-4	4	16.8	35.3	10.5	6	8	—	—
YPLGJ8-6	6	19	37	13	6	8	8	3.2
YPLGJ10-6	6	19	40	13	6	10	8	3.2
YPLGJ10-8	8	23	43	14.4	8	10	9	3.2
YPLGJ12-8	8	23	43	14.4	8	12	9	3.2
YPLGJ12-10	10	27.5	47	18.4	8	12	12	4.2



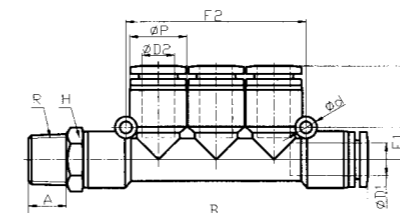
● YPZA/TPZA Cross Union



Type	φD	E	φp	F	φd
YPZA4	4	19	10.5	7	3.2
YPZA6	6	19.8	13	7.5	3.2
YPZA8	8	23	14.4	8.8	3.2
YPZA10	10	29	18.4	11.5	4.2
YPZA12	12	30	20	11.5	4.2



● YPKD/TPKD  
Reducer Tripe Brank Union

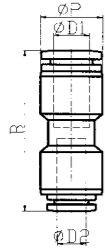


Type	φD1	φD2	B	E	A	R	F2	φP	H	F1	φd
YPKD6-4-01	6	4	74	20	7	R1/8	40	13	12	7	3.2
YPKD6-4-02	6	4	76.5	20	9.5	R1/4	40	13	14	7	3.2
YPKD6-4-03	6	4	78	20	10.5	R3/8	40	13	17	7	3.2
YPKD8-6-01	8	6	81.5	23	7	R1/8	45.5	14.5	14	8.2	3.2
YPKD8-6-02	8	6	84	23	9.5	R1/4	45.5	14.5	14	8.2	3.2
YPKD8-6-03	8	6	85	23	10.5	R3/8	45.5	14.5	17	8.2	3.2
YPKD10-8-02	10	8	101.5	27.5	9.5	R1/8	56.4	18	17	9.8	3.2
YPKD10-8-03	10	8	102.5	27.5	10.5	R3/8	56.4	18	17	9.8	3.2
YPKD10-8-04	10	8	106.5	27.5	13	R1/2	56.4	18	21	9.8	3.2
YPKD12-10-02	12	10	107.5	29	9.5	R1/8	63	20	19	11.5	4.2
YPKD12-10-03	12	10	108.5	29	10.5	R3/8	63	20	19	11.5	4.2
YPKD12-10-04	12	10	112	29	13	R1/2	63	20	21	11.5	4.2

Quick Coupler



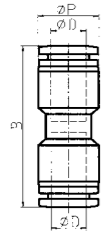
● YPG/TPG Reducer Union



Type	ϕ D1	ϕ D2	B	ϕ P
YPG6-4	6	4	26	13
YPG8-6	8	6	29	14.5
YPG10-8	10	8	36	18.4
YPG12-10	12	10	37	20
YPG16-12	16	12	40	25.6



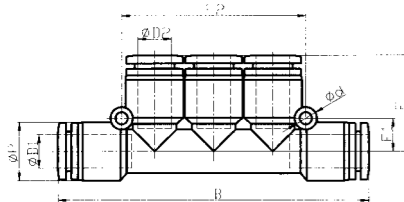
● YPU/TPU Female Straight Union



Type	ϕ D	B	ϕ P
YPU4	4	25	10.5
YPU6	6	26	13
YPU8	8	29	14.5
YPU10	10	36	18.4
YPU12	12	37	20



● YPKG/TPKG Reducer Triple Brand Union

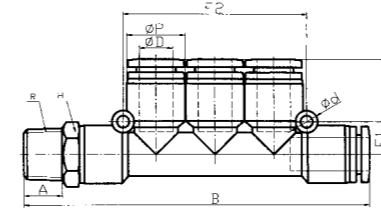


Type	ϕ D	B	ϕ D2	E	F2	ϕ P	F1	ϕ d
YPKG6-4	6	67	4	20	40	13	7	3.2
YPKG8-6	8	75	6	23	45.5	14.5	8.2	3.2
YPKG10-8	10	93	8	27.5	56.4	18	9.8	4.2
YPKG12-10	12	99.5	10	29	63	20	11.5	4.2

Quick Coupler



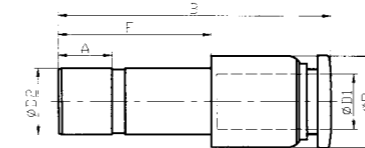
● YPKB/TPKB Triple Brand Union



Type	ϕ D1	B	E	A	R	F2	ϕ P	H	F1	ϕ d
YPKB4-01	4	70	19	7	R1/8	34.2	10.5	10	6.5	3.2
YPKB6-01	6	74	20.5	7	R1/8	40	13	12	7	3.2
YPKB6-02	6	76.5	20.5	9.5	R1/4	40	13	14	7	3.2
YPKB6-03	6	78	20.5	10.5	R3/8	40	13	17	7	3.2
YPKB8-01	8	81.5	24	7	R1/8	45.5	14.5	14	8.2	3.2
YPKB8-02	8	84	24	9.5	R1/4	45.5	14.5	14	8.2	3.2
YPKB8-03	8	85	24	10.5	R3/8	45.5	14.5	17	8.2	3.2
YPKB10-02	10	101.5	28	9.5	R1/8	56.4	18	17	9.8	3.2
YPKB10-03	10	102.5	28	10.5	R3/8	56.4	18	17	9.8	3.2
YPKB10-04	10	106.5	28	13	R1/2	56.4	18	21	9.8	3.2
YPKB12-02	12	107.5	30	9.5	R1/8	63	20	19	11.5	4.2
YPKB12-03	12	108.5	30	10.5	R3/8	63	20	19	11.5	4.2
YPKB12-04	12	112	30	13	R1/2	63	20	21	11.5	4.2



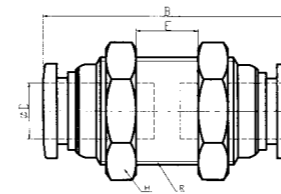
● YPGJ/TPGJ Plug-in Reducer



Type	ϕ D	E	ϕ D2	B	A	ϕ P
YPGJ6-4	4	17	6	32.5	6	10
YPGJ8-4	4	20	8	35.5	6	10
YPGJ8-6	6	20	8	36.5	6	12
YPGJ10-6	6	23	10	39.5	8	12
YPGJ10-8	8	23	10	39.5	8	14
YPGJ12-8	8	23	12	42	8	14
YPGJ12-10	12	23	12	44	8	17



● YPM/TPM Bulkhead Union

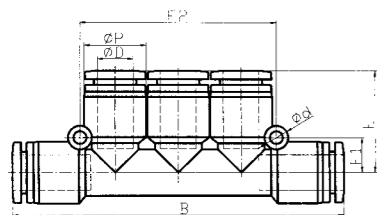


Type	ϕ D	B	E	R	H
YPM4	4	31	8	M12x1	17
YPM6	6	34	10	M14x1	19
YPM8	8	38	12	M16x1	22
YPM10	10	42	15	M20x1	27
YPM12	12	45	16	M22x1	30

### Quick Coupler



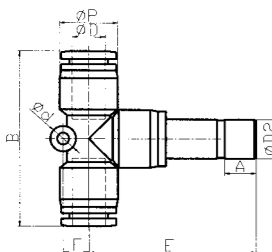
● YPK/TPK  
Triple Branch Union



Type	φD	B	E	F2	φP	F1	φd
YPK4	4	60	19	34.2	10.5	6.5	3.2
YPK6	6	67	20.5	40	13	7	3.2
YPK8	8	75	24	45.5	14.5	8.2	3.2
YPK10	10	93	28	56.4	18	9.8	4.2
YPK12	12	99.5	30	63	20	11.5	4.2



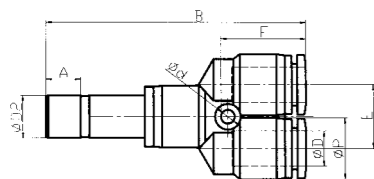
● YPEGJ/TPEGJ  
T Type Reducer Union



Type	φD1	E	B	φP	A	φD2	F	φd
YPEGJ6-4	4	32.5	35.5	10.5	6	6	5	3.2
YPEGJ8-4	4	35.5	35.5	10.5	6	8	5	3.2
YPEGJ8-6	6	37	37.5	13	6	8	5.5	3.2
YPEGJ10-6	6	40	37.5	13	6	10	5.5	3.2
YPEGJ10-8	8	42.5	45	14.4	8	10	6.5	3.2
YPEGJ12-8	8	42.5	45	14.4	8	12	6.5	3.2
YPEGJ12-10	10	48	56	18.4	8	12	8	4.2



● YPWJ/TPWJ  
Y Type Reducer Union



Type	φD1	E	B	φP	A	φD2	F	φd
YPWJ6-4	4	10.5	50	10.5	6	6	13.5	3.2
YPWJ8-4	4	10.5	53	10.5	6	8	13.5	3.2
YPWJ8-6	6	13	54.5	13	6	8	14.5	3.2
YPWJ10-6	6	13	57.5	13	6	10	14.5	3.2
YPWJ10-8	8	14.5	61	14.4	8	10	18.5	3.2
YPWJ12-8	8	14.5	61	14.4	8	12	18.5	3.2
YPWJ12-10	10	18.5	69.5	18.4	8	12	21	4.2

### G 螺纹快速插卸接头

螺纹直通



Type

PC 04-G01	PC 04-G02	PC 06-G01
PC 06-G02	PC 06-G03	PC 06-G04
PC 08-G01	PC 08-G02	PC 08-G03
PC 08-G04	PC 10-G01	PC 10-G02
PC 10-G03	PC 10-G04	PC 12-G01
PC 12-G02	PC 12-G03	PC 12-G04
PC 16-G03	PC 16-G04	

L 型螺纹二通



Type

PL 04-G01	PL 04-G02	PL 06-G01
PL 06-G02	PL 06-G03	PL 06-G04
PL 08-G01	PL 08-G02	PL 08-G03
PL 08-G04	PL 10-G01	PL 10-G02
PL 10-G03	PL 10-G04	PL 12-G01
PL 12-G02	PL 12-G03	PL 12-G04
PL 16-G03	PL 16-G04	

T 型螺纹三通



Type

PT 04-G01	PT 04-G02	PT 06-G01
PT 06-G02	PT 06-G03	PT 08-G01
PT 08-G02	PT 08-G03	PT 08-G04
PT 10-G01	PT 10-G02	PT 10-G03
PT 10-G04	PT 12-G02	PT 12-G03
PT 12-G04	PT 16-G03	PT 16-G04

外六角接头



Type

PH 04-G01	PH 04-G02	PH 06-G01
PH 06-G02	PH 06-G03	PH 08-G01
PH 08-G02	PH 08-G03	PH 08-G04
PH 10-G01	PH 10-G02	PH 10-G03
PH 10-G04	PH 12-G02	PH 12-G03
PH 12-G04		

T 型分支螺纹三通



Type

PST 04-G01	PST 04-G02	PST 06-G01
PST 06-G02	PST 06-G03	PST 08-G01
PST 08-G02	PST 08-G03	PST 08-G04
PST 10-G01	PST 10-G02	PST 10-G03
PST 10-G04	PST 12-G02	PST 12-G03
PST 12-G04	PST 16-G03	PST 16-G04

Y 型螺纹三通



Type

PWT 04-G01	PWT 04-G02	PWT 06-G01
PWT 06-G02	PWT 06-G03	PWT 08-G01
PWT 08-G02	PWT 08-G03	PWT 08-G04
PWT 10-G01	PWT 10-G02	PWT 10-G03
PWT 10-G04	PWT 12-G02	PWT 12-G03
PWT 12-G04	PWT 16-G03	PWT 16-G04

L 型内螺纹二通



Type

PLF 04-G01	PLF 04-G02	PLF 06-G01
PLF 06-G02	PLF 06-G03	PLF 08-G01
PLF 08-G02	PLF 08-G03	PLF 08-G04
PLF 10-G01	PLF 10-G02	PLF 10-G03
PLF 10-G04	PLF 12-G02	PLF 12-G03
PLF 12-G04		

内螺纹直通



Type

PCF 04-G01	PCF 04-G02	PCF 06-G01
PCF 06-G02	PCF 06-G03	PCF 08-G01
PCF 08-G02	PCF 08-G03	PCF 08-G04
PCF 10-G01	PCF 10-G02	PCF 10-G03
PCF 10-G04	PCF 12-G02	PCF 12-G03
PCF 12-G04		

L 型加长螺纹二通



Type

PLL 04-G01	PLL 04-G02	PLL 06-G01
PLL 06-G02	PLL 06-G03	PLL 08-G01
PLL 08-G02	PLL 08-G03	PLL 08-G04
PLL 10-G01	PLL 10-G02	PLL 10-G03
PLL 10-G04	PLL 12-G02	PLL 12-G03
PLL 12-G04	PLL 16-G03	PLL 16-G04



### G 螺纹快速插卸接头

**串连接头**

Type

PHF 04-G01	PHF 04-G02	PHF 06-G01
PHF 06-G02	PHF 06-G03	PHF 08-G01
PHF 08-G02	PHF 08-G03	PHF 08-G04
PHF 10-G01	PHF 10-G02	PHF 10-G03
PHF 10-G04	PHF 12-G02	PHF 12-G03
PHF 12-G04		

**减径螺纹五通**

Type

PKD 0604-G01	PKD 0806-G01
PKD 0806-G02	PKD 1008-G02
PKD 1008-G03	PKD 1210-G03
PKD 1210-G04	

**直接安装 L 型**

Type

NSE 04-G01	NSE 04-G02	NSE 06-G01
NSE 06-G02	NSE 06-G03	NSE 08-G01
NSE 08-G02	NSE 08-G03	NSE 04-G01
NSE 04-G02	NSE 06-G01	NSE 06-G02
NSE 06-G03	NSE 08-G01	NSE 08-G02
NSE 08-G03		

### 单向节流阀

**NSF 管道型接头**

Type

NSF4	NSF6	NSF8	NSF10	NSF12
------	------	------	-------	-------

**管道型**

Type

NASF01-04	NASF04-10	NASF08-02
NASF01-06	NASF02-12	NASF08-03
NASF02-06	NASF03-12	NASF10-02
NASF01-08	NASF04-12	NASF10-03
NASF02-08	NASF04-01	NASF10-04
NASF03-08	NASF06-01	NASF12-02
NASF02-10	NASF06-02	NASF12-03
NASF03-10	NASF08-01	NASF12-04

### 手阀

**两端插管型接头**

两通	三通
HVFF6-06B	HVFF6-06
HVFF8-06B	HVFF8-06
HVFF8-08B	HVFF8-08
HVFF10-10B	HVFF10-10
HVFF12-10B	HVFF12-10
HVFF12-12B	HVFF12-12

**空气由插管端流向螺纹端**

两通	三通
HVSF01-06B	HVSF01-06
HVSF02-06B	HVSF02-06
HVSF03-06B	HVSF03-06
HVSF01-08B	HVSF01-08
HVSF02-08B	HVSF02-08
HVSF03-08B	HVSF03-08
HVSF02-10B	HVSF02-10
HVSF03-10B	HVSF03-10
HVSF04-10B	HVSF04-10
HVSF02-12B	HVSF02-12
HVSF03-12B	HVSF03-12
HVSF04-12B	HVSF04-12

**两端螺纹型**

两通	三通
HVSS01-01B	HVSS01-01
HVSS02-01B	HVSS02-01
HVSS02-02B	HVSS02-02
HVSS03-02B	HVSS03-02
HVSS03-03B	HVSS03-03
HVSS04-03B	HVSS04-03
HVSS04-04B	HVSS04-04

**空气由螺纹端流向插管端**

两通	三通
HVFS06-01B	HVFS06-01
HVFS06-02B	HVFS06-02
HVFS06-03B	HVFS06-03
HVFS08-01B	HVFS08-01
HVFS08-02B	HVFS08-02
HVFS08-03B	HVFS08-03
HVFS10-02B	HVFS10-02
HVFS10-03B	HVFS10-03
HVFS10-04B	HVFS10-04
HVFS12-02B	HVFS12-02
HVFS12-03B	HVFS12-03
HVFS12-04B	HVFS12-04

### Metal Coupler

#### Character

1. Mounted with auto-opening valve, auto-lock series can auto-lock when it is pulled out.  
2. Widely used, special for connecting of air tools and piping, laying branch port of supplying compressed air in factories.

#### Ordering Code

YCH 2 - 8x5 N  
Type Size Port style Blank: Brass plating nickel  
N: Zinc alloy plating nickel

### Metal Coupler

**YCN Quick Coupler**

YCN 2-8x5N
YCN 2-10x6.5N
YCN 2-12x8N

**YCH Quick Coupler**

YCH 2-8x5N
YCH 2-10x6.5N
YCH 2-12x8N

**YCM Quick Coupler**

YCM 2-1/4N
YCM 2-3/8N
YCM 2-1/2N

**YCF Quick Coupler**

YCF 2-1/4N
YCF 2-3/8N
YCF 2-1/2N

**YHN Quick Coupler**

YHN 2-8x5N
YHN 2-10x6.5N
YHN 2-12x8N

**YHH Quick Coupler**

YHH 2-8x5N
YHH 2-10x6.5N
YHH 2-12x8N

**YHM Quick Coupler**

YHM 2-1/4N
YHM 2-3/8N
YHM 2-1/2N

**YHF Quick Coupler**

YHF 2-1/4N
YHF 2-3/8N
YHF 2-1/2N

### Metal Coupler

**YHO-2 Round 2 Ways**

Size
1/4
3/8

**YHO-3 Round 3 Ways**

Size
1/4
3/8

**YHM-2 Straight 2 Ways**

Size
1/4

**YHM-3 Straight 3 Ways**

Size
1/4

**YHM-4 Straight 4 Ways**

Size
1/4

**YHM-5 Straight 5 Ways**

Size
1/4

### Brass type, Quick-changed Fitting

#### Character

1. 金属型管接头是用黄铜制成的气动管类系统接头。
2. 不仅是接头壳体而且连接按钮都是由黄铜制成，因为这些型号的接头具有极强的耐热性，耐燃性。

Push-in Type Quick To Exchange Pipe Coupling Through

Type	Normal Diameter d	Tube Outer Diameter D	L
JKH-2.5	2.5	4	31
JKH-4	4	6	34
JKH-6	6	8	36
JKH-8	8	10	39
JKH-10	10	12	42

Push-in Type Quick To Exchange Pipe Coupling of Through End

Type	Normal Diameter d	Tube Outer Diameter D	Tube Thread		S	L	L1
JKH-Z2.5	2.5	4	M6*1		10	23	6
JKH-Z4	4	6	M8*1		12	24	7
JKH-Z6	6	8	M10*1	G1/8 ZG1/8	14	25	7
JKH-Z8	8	10	M12*1.25	G1/4 ZG1/4	17	29	9
JKH-Z10	10	12	M16*1.25	G3/8 ZG3/8	19	32	10

Push-in Type Quick To Exchange Pipe Coupling Elbow

Type	Normal Diameter d	Tube Outer Diameter D	L
JKH-J-2.5	2.5	4	18
JKH-J-4	4	6	20
JKH-J-6	6	8	22
JKH-J-8	8	10	24
JKH-J-10	10	12	27

Push-in Type Quick To Exchange Pipe Coupling of Right Angle End Whirl

Type	Normal Diameter d	Tube Outer Diameter D	Tube Thread		S	S1	L	L1
JKH-J-Z2.5	2.5	4	M6*1		10	18	6	22
JKH-J-Z4	4	6	M8*1		12	20	7	22
JKH-J-Z6	6	8	M10*1	G1/8 ZG1/8	14	22	7	24
JKH-J-Z8	8	10	M12*1.25	G1/4 ZG1/4	17	24	9	27
JKH-J-Z10	10	12	M16*1.5	G3/8 ZG3/8	19	27	10	30

Push-in Type Quick To Exchange Pipe Coupling of Tee

Type	Normal Diameter d	Tube Outer Diameter D	L	L1
JKH-3T-2.5	2.5	4	37	18
JKH-3T-4	4	6	40	20
JKH-3T-6	6	8	44	22
JKH-3T-8	8	10	48	24
JKH-3T-10	10	12	54	27

Push-in Type Quick To Exchange Pipe Coupling of Tee Edn Whirl

Type	Normal Diameter d	Tube Outer Diameter D	Tube Thread		S	S1	L	L1
JKH-3T-Z2.5	2.5	4	M6*1		10	37	6	22
JKH-3T-Z4	4	6	M8*1		12	40	7	22
JKH-3T-Z6	6	8	M10*1	G1/8 ZG1/8	14	44	7	24
JKH-3T-Z8	8	10	M12*1.25	G1/4 ZG1/4	17	48	9	27
JKH-3T-Z10	10	12	M16*1.5	G3/8 ZG3/8	19	54	10	30

### Brass type, Quick-changed Fitting

Push-in Type Quick To Exchange Pipe Coupling of Y Model End Whirl

Type	Normal Diameter d	Tube Outer Diameter D	Tube Thread		S	S1	L	L1
JKH-3Y-Z2.5	2.5	4	M6*1		10	40	6	18
JKH-3Y-Z4	4	6	M8*1		12	42	7	20
JKH-3Y-Z6	6	8	M10*1	G1/8 ZG1/8	14	46	7	22
JKH-3Y-Z8	8	10	M12*1.25	G1/4 ZG1/4	17	51	9	24
JKH-3Y-Z10	10	12	M16*1.5	G3/8 ZG3/8	19	57	10	27

Push-in Type Quick To Exchange Pipe Coupling of Crosspiece

Type	Normal Diameter d	Tube Outer Diameter D	L	L1
JKH-4T-2.5	2.5	4	18	37
JKH-4T-4	4	6	20	40
JKH-4T-6	6	8	22	44
JKH-4T-8	8	10	24	48
JKH-4T-10	10	12	27	54

Push-in Type Quick To Exchange Pipe Coupling of Cross piece End Whirl

Type	Normal Diameter d	Tube Outer Diameter D	Tube Thread		S	S1	L	L1
JKH-4T-Z2.5	2.5	4	M6*1		10	18	6	40
JKH-4T-Z4	4	6	M8*1		12	20	7	42
JKH-4T-Z6	6	8	M10*1	G1/8 ZG1/8	14	22	7	46
JKH-4T-Z8	8	10	M12*1.25	G1/4 ZG1/4	17	24	9	51
JKH-4T-Z10	10	12	M16*1.5	G3/8 ZG3/8	19	27	10	57

Push-in Type Quick To Exchange Rhabbitiform Crossover Sub of Through

Type	Normal Diameter d	Tube Outer Diameter D	G			
JKH-G-2.5	2.5	4	6	8	10	12
JKH-G-4	4	6	4	8	10	12
JKH-G-6	6	8	4	6	10	12
JKH-G-8	8	10	4	6	8	12
JKH-G-10	10	12	4	6	8	10

Push-in Type Quick To Exchange Right Angle Coupling of Adjustable End

Type	Normal Diameter d	Tube Outer Diameter D	Tube Thread		S	L	L1	L2
JKH-JJ-Z2.5	2.5	4	M6*1		10	48	6	27
JKH-JJ-Z4	4	6	M8*1		12	52	7	29
JKH-JJ-Z6	6	8	M10*1	G1/8 ZG1/8	14	58	7	32
JKH-JJ-Z8	8	10	M12*1.25	G1/4 ZG1/4	17	62	9	36
JKH-JJ-Z10	10	12	M16*1.5	G3/8 ZG3/8	19	70	10	41

Push-in Type Quick To Exchange Coupling of Through Shutter


Type	Normal Diameter d	Tube Outer Diameter D	S	L	M
JKH-ZC-2.5	2.5	4	14	31	12
JKH-ZC-4	4	6	17	34	14
JKH-ZC-6	6	8	19	36	16
JKH-ZC-8	8	10	22	39	18
JKH-ZC-10	10	12	24	42	20

Push-in Type Quick To Exchange Tee Pipe Coupling of Adjustable End


Type	Normal Diameter d	Tube Outer Diameter D	Tube Thread		S	L	L1	L2
JKH-J3T-Z2.5	2.5	4	M6*1		10	48	6	27
JKH-J3T-Z4	4	6	M8*1		12	52	7	29
JKH-J3T-Z6	6	8	M10*1	G1/8 ZG1/8	14	58	7	32
JKH-J3T-Z8	8	10	M12*1.25	G1/4 ZG1/4	17	62	9	36
JKH-J3T-Z10	10	12	M16*1.5	G3/8 ZG3/8	19	70	10	41

### Transitional Fitting (Brass)


SP01 Blocking fitting

	Type [T]
	1/8
	1/4
	3/8
	1/2
	3/4
	1


SP02 Dyad male thread

	Type [TxT]	
	1/8-1/8	1/2-1/2
	1/4-1/8	3/4-1/2
	1/4-1/4	3/4-3/4
	3/8-1/8	
	3/8-1/4	
	3/8-3/8	
	1/2-1/4	


SP03 Dyad female thread

	Type [TxT]
	1/8-1/8
	1/4-1/8
	1/4-1/4
	3/8-1/4
	3/8-3/8
	1/2-1/4


SP04 Pagoda type mouth

	Type [TxøS]			
	1/8-06	3/8-08	1/2-14	3/4-21
	1/8-08	3/8-10	1/2-16	3/4-25
	1/8-10	3/8-12	1/2-19	1-19
	1/8-12	3/8-14	3/4-08	1-25
	1/4-06	3/8-16	3/4-10	1-29
	1/4-08	1/2-06	3/4-12	
	1/4-10	1/2-08	3/4-14	
	1/4-12	1/2-10	3/4-16	
	3/8-06	1/2-12	3/4-19	

SP05 Agoda type elbow connector


	Type [TxøS]	
	1/8-06	3/8-08
	1/8-08	3/8-10
	1/8-10	3/8-12
	1/8-12	1/2-06
	1/4-06	1/2-08
	1/4-09	1/2-10
	1/4-10	1/2-12

SP06 Y type forging


	Type [øS]
	06
	08
	10
	12

IV


SP07 Stretcher

	Type [TxT]
	1/8-1/4
	1/8-3/8
	1/4-3/8
	1/4-1/2
	3/8-1/2
	3/8-3/4
	1/2-3/4


SP08 Tee male connector

	Type [T]
	1/8
	1/4
	3/8
	1/2


SP09 Tee female connector

	Type [T]
	1/8
	1/4
	3/8
	1/2


SP10 Dyad elbow male connector

	Type [TxT]
	1/8-1/8
	1/4-1/8
	1/4-1/4
	3/8-1/4
	3/8-3/8
	1/2-1/4
	1/2-3/8

SP11 Dyad elbow female connector

	Type [TxT]
	1/8-1/8
	1/4-1/4
	3/8-3/8
	1/2-1/2

SP12 Dyad elbow male & female connector


	Type [TxT]
	1/8-1/8
	1/4-1/4
	3/8-3/8
	1/2-1/2
	3/4-3/4

### One Touch Fitting

Character

1. SP 接头是用黄铜制成的气动管类系统接头。
2. 型式多样，满足不同气动布管系统需要。
3. 具有极强的耐热性，耐燃性。


SP13 One touch straight female connector

	Type [øD-T]	
	06-1/4	10-1/4
	06-3/8	10-3/8
	06-1/2	10-1/2
	08-1/8	12-1/4
	08-1/4	12-3/8
	08-3/8	12-1/2
	08-1/2	


SP14 One touch straight connector

	Type [øD]
	04
	06
	08
	10
	12


SP15 One touch tee connector

	Type [øD]
	04
	06
	08
	10
	12


SP16 One touch elbow connector

	Type [øD]
	04
	06
	08
	10

SP17 One touch elbow male connector


	Type [øD-T]	
	06-1/8	10-1/8
	06-1/4	10-1/4
	06-3/8	10-3/8
	06-1/2	10-1/2
	08-1/8	12-1/4
	08-1/4	12-3/8
	08-3/8	12-1/2

SP18 One touch elbow female connector


	Type [øD-T]	
	06-1/8	10-1/8
	06-1/4	10-1/4
	06-3/8	10-3/8
	06-1/2	10-1/2
	08-1/8	12-1/4
	08-1/4	12-3/8
	08-3/8	12-1/2

IV


SP19 One touch straight male connector

	Type [øD-T]	
	06-1/8	10-1/8
	06-1/4	10-1/4
	06-3/8	10-3/8
	06-1/2	10-1/2
	08-1/8	12-1/4
	08-1/4	12-3/8
	08-3/8	12-1/2

SP20 One touch tee straight male union

	Type [øD-T]	
	06-1/8	10-1/8
	06-1/4	10-1/4
	06-3/8	10-3/8
	06-1/2	10-1/2
	08-1/8	12-1/4
	08-1/4	12-3/8
	08-3/8	12-1/2


SP27 Speed Control Coupler (Push-in Elbow)


	Type [S-T]
	08-1/8
	08-1/4


### Brass Ball Valve


#### Character


1. 这些是适用于气动管类系统的开关型球阀。
2. 型式多样，便于客户选择。


SMH Male ball valve w/mouth	Size
	1/8-ø8
	1/8-ø10
	1/4-ø8
	1/4-ø10
	3/8-ø8
	3/8-ø10
	1/2-ø8
	1/2-ø10


SFH Female ball valve w/mouth	Size
	1/8-ø8
	1/8-ø10
	1/4-ø8
	1/4-ø10
	3/8-ø8
	3/8-ø10
	1/2-ø8
	1/2-ø10


SFM Male & femal ball valve	Size
	1/8-1/8
	1/8-1/4
	1/4-1/4
	3/8-3/8

SFF Female ball valve	Size
	1/8-1/8
	1/8-1/4
	1/4-1/4
	3/8-3/8

SMM Female ball valve	Size
	1/8-1/8
	1/8-1/4
	1/4-1/4
	3/8-3/8

SHH Two tip head ball valve	Size
	ø8-ø8
	ø10-ø10

SN Needle type valve	Size
	1/4
	3/8

SM Needle type valve	Size
	1/4
	3/8

### Air Grun

#### Character




1. Strong blowing with low consumption and energy saving.
2. It can remove the dust of any machine and equipment.





### Sliencer

#### Character

To reduce the noise effectively in the pneumatic system or air discharge equipment, the silencer can directly be equipped on it. With small shape, easily fixed, and good performance, good effect.

Sliencer throttle valve	Type	Regulate silencer	Type	Mini silencer	Type
	BESL-01 G1/8		BESN-01 G1/8		BSLM-01 G1/8
	BESL-02 G1/4		BESN-02 G1/4		BSLM-02 G1/4
	BESL-03 G3/8		BESN-03 G3/8		BSLM-03 G3/8
	BESL-04 G1/2		BESN-04 G1/2		BSLM-04 G1/2
	BESL-06 G3/4		BESN-06 G3/4		BSLM-06 G3/4
	BESL-08 G1		BESN-08 G1		BSLM-08 G1

Sliencer	Type	PSL Plastic silencer	Type
	BSL-M5		PSL-01 G1/8
	BSL-01 G1/8		PSL-02 G1/4
	BSL-02 G1/4		PSL-03 G3/8
	BSL-03 G3/8		PSL-04 G1/2
	BSL-04 G1/2		
	BSL-06 G3/4		
	BSL-08 G1		
	BSL-10 G5/4		
	BSL-12 G3/2		
	BSL-16 G2		

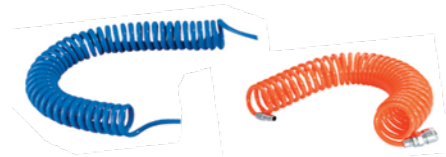
### Tube cutter

#### Character

Be sure to cut off the tubes safely, quickly, accurately and neatly.



### PU Tube



#### Ordering Code

**PU**      **08 60**      **B**  
 |            |            |  
 PU: PU tube    Tube O.D.    Color  
 EPU: EPU tube

#### Male Diameter of Hose

Serial Number	4	6	8	10	12
Caliber	φ 4	φ 6	φ 8	φ 10	φ 12

#### Character

1. With good resistance to high pressure, vibration, abrasion, climate, and fl action.
2. Light, easily fixed, convenient for fitting.
3. With high precision in dimension control, applying for all kinds of connector.
4. Many colors for choosing.

#### Notice when fix the tube

1. Check is there any surface hurtedor distortion to be ellipse.
2. The tube should touch the bottom of the fitting when fixed, or it may be leads to leak.
3. Make sure the tube can't be pushed out when fixed up. (Never use excess strength, or it the fitting will be destroyed)
4. when Releasing the tubes, please note:
5. Before releasing the tube, please ensure that the pressure to zero. press the releasing ring to the end uniformly, and pull out the tubes, if not completely push in the ring, the tubes could not be pulled out or damaged the tube, and tube scraps will remaind in inner tube, resulting in the possible of Leakage
6. while Assembly tube, the outer diameter of the tube shall meet the requirements of Tolerance:  
PU specification 4,6,8 inthe range  $0.1\text{mm} - +0.1\text{mm}$ , and specifi cation 10,12 in the range  $-0.15\text{mm} - +0.15\text{mm}$

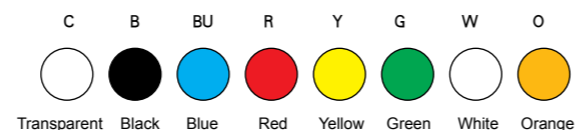
#### PU Tube/Standard Specification Sheet

Item	PU0320	PU0425	PU0640	PU0850	PU1065	PU1280	PU1611
O.D (mm)	φ 3.0	φ 4.0	φ 6.0	φ 8.0	φ 10.0	φ 12.0	φ 16.0
I.D (mm)	φ 2.0	φ 2.5	φ 4.0	φ 5	φ 6.5	φ 8.0	φ 11.0
W.P kgf/cm <sup>2</sup>	10	10	10	10	10	10	10

#### EPU Standard Specification Sheet

O.D. x I.D.	Length	W.P
mmxmm	m	kgf/cm <sup>2</sup>
4x2.5	200	8
6x4	200	8
8x5	100	8
10x6.5	100	6
12x8	100	6

#### Pneumatic tubing color



### PA Tube



#### Ordering Code

**PA**      **08 60**      **B**  
 |            |            |  
 PA tube    Tube O.D.    Color

#### Character

1. With good resistance to high pressure, vibration, abrasion, climate, and fl action.
2. Light, easily fixed, convenient for fitting.
3. With high precision in dimension control, applying for all kinds of connector.
4. Many colors for choosing.

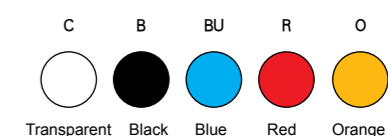
#### Notice when fix the tube

1. Check is there any surface hurtedor distortion to be ellipse.
2. The tube should touch the bottom of the fitting when fixed, or it may be leads to leak.
3. Make sure the tube can't be pushed out when fixed up. (Never use excess strength, or it the fitting will be destroyed)
4. when Releasing the tubes, please note:
5. Before releasing the tube, please ensure that the pressure to zero. press the releasing ring to the end uniformly, and pull out the tubes, if not completely push in the ring, the tubes could not be pulled out or damaged the tube, and tube scraps will remaind in inner tube, resulting in the possible of Leakage
6. while Assembly tube, the outer diameter of the tube shall meet the requirements of Tolerance:  
Nylon (PA)specification 4,6,8,10 in the range  $-0.08\text{mm} - +0.08\text{mm}$ ,specification 12 in the range  $-0.1\text{mm} - +0.1\text{mm}$

#### PA Nylon tube/Standard Specification Sheet

Item	PA0320	PA0425	PA0640	PA0860	PA1065	PA1280	PA1611
O.D (mm)	φ 3.0	φ 4.0	φ 6.0	φ 8.0	φ 10.0	φ 12.0	φ 16.0
I.D (mm)	φ 2.0	φ 2.5	φ 4.0	φ 6.0	φ 6.5	φ 8.0	φ 11.0
W.P kgf/cm <sup>2</sup>	24	24	24	24	24	24	24

#### Pneumatic tubing color



TR Series Punch

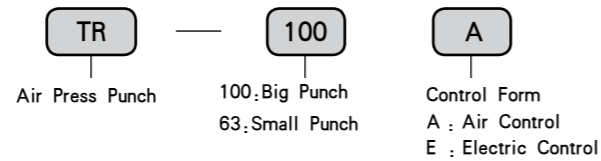
● Air Press Punch Series

1. Use cylinder as power executive unit, moving smoothly and reliable.
2. No strike in running, the quality of products and the service life of the die mould improved greatly.
3. Operated with pushbutton by hands so that improve the safety. With foot pedal switch standby, work efficiency improved and hands free.
4. The cycle of auto-punch can be adjusted and it can work automatically and continuously through electronic controller, applicable to the field of electromechanical integration.
5. When working, don't put your hands into the range of punch stroke.

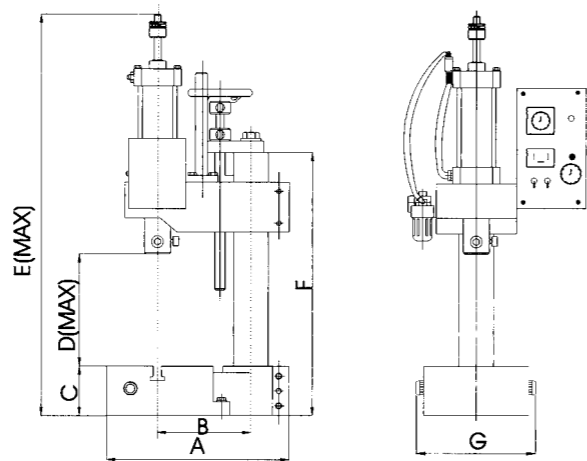


● TR-63E

● Ordering Code



Type	Strength (kg)	Stroke (mm)	Bore of Cylinder (mm)	Port Size (PT)	Stroke Regulated (mm)	Control Form
TR-100A	500	100	100	3/8	30	HAND CONTROL FOOT PEDAL
TR-63A	200	100	63	1/4	30	
TR-100E	500	100	100	3/8	30	AUTO, PUSH-BUTTON, FOOT PEDAL
TR-63E	200	100	63	1/4	30	



Bore (mm)	A	B	C	D	E	F	G
TR-100A	380	170	90	230	850	550	195
TR-63A	265	120	80	200	700	380	170
TR-100E	380	170	90	230	850	550	195
TR-63E	265	120	80	200	700	380	170



● TR-125E

TR Series Punch



● TR-100A

Type	TR125E	TR160E
Max working height adjustable	302mm	
Cylinder type	Φ125x100mm	Φ160x100mm
Cylinder regulated stroke	Standard 25mm	Select 50mm
Working area	350x240mm	
Power	AC110/220V, 50/60Hz	
Operating pressure	0.4-0.7MPa	

● TR-Φ125

Working pressure (MPa)	Pressed area (cm <sup>2</sup> )	Theoretical strength (kg)
0.4	122.7	491
0.5	122.7	615
0.6	122.7	736
0.7	122.7	859

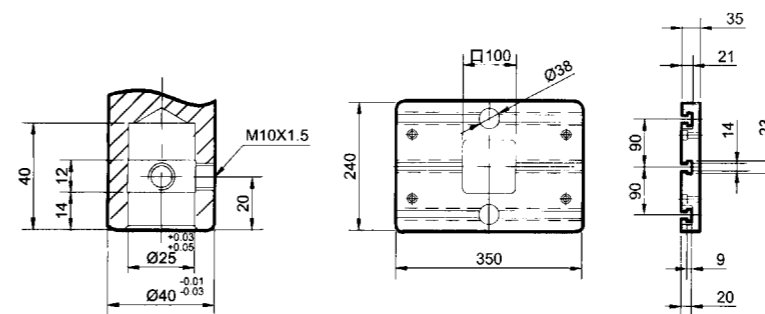


● TR-125A

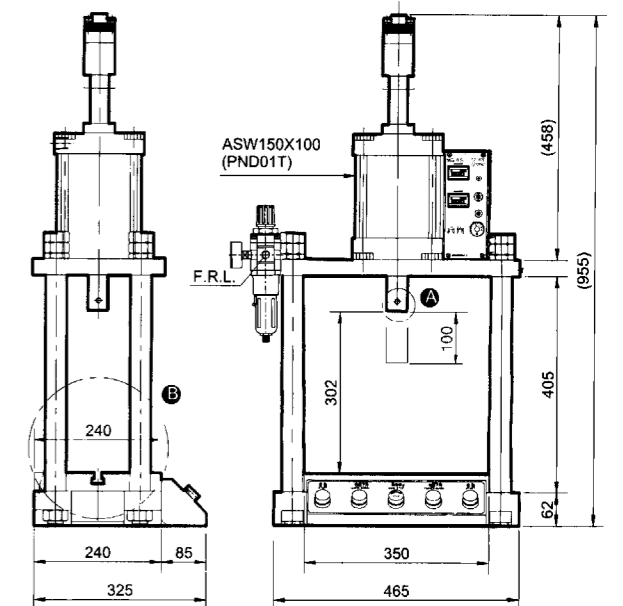
● TR-Φ160

Working pressure (MPa)	Pressed area (cm <sup>2</sup> )	Theoretical strength (kg)
0.4	201	804
0.5	201	1005
0.6	201	1206
0.7	201	1407

■ Figure Dimension



A part graphics, scale 5:1 B part graphics, scale 1:1



### TF Series Power-adding Punch

● Power-adding Punch



● TF-160E

Type	TF125E	TF160E
Max working height adjustable	302mm	
Cylinder type	Φ125x100-2mm	Φ160x100-2mm
Cylinder regulated stroke	Standard 25mm	Select 50mm
Working area	350x240mm	
Power	AC110/220V, 50/60Hz	
Operating pressure	0.4-0.7MPa	

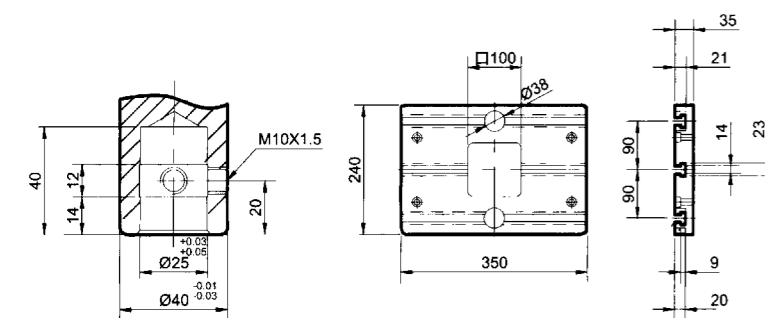
● TF-Φ125

Working pressure	Pressed area	Theoretical strength
MPa	cm <sup>2</sup>	kg
0.4	237.3	949
0.5	237.3	1188
0.6	237.3	1424
0.7	237.3	1661

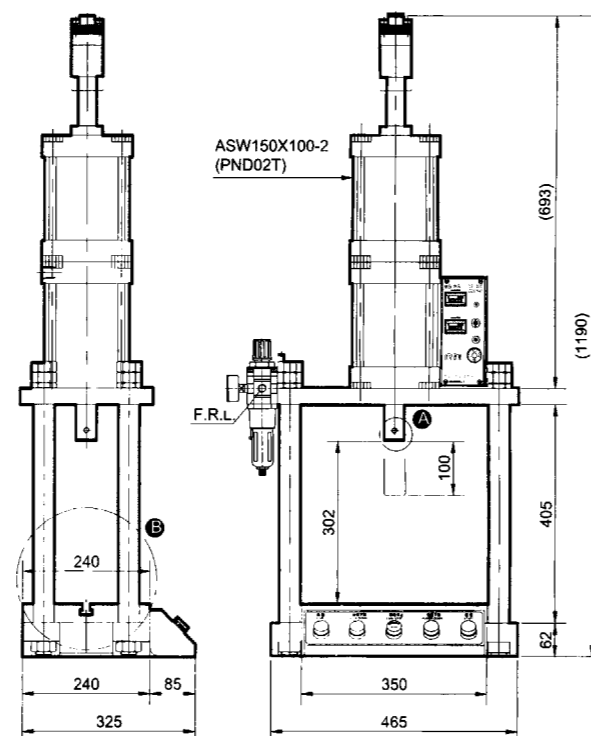
● TF-Φ160

Working pressure	Pressed area	Theoretical strength
MPa	cm <sup>2</sup>	kg
0.4	389.4	1557
0.5	389.4	1942
0.6	389.4	2336
0.7	389.4	2725

### Figure Dimension



A part graphics, scale 5:1 B part graphics, scale 1:1



### TZ Series Pressure-adding Punch

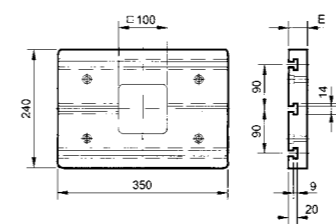
● Air Press Punch Series

1. Adopting compressed air as power executive source, operated easily.
2. No noise as compressed oil series send out when it stops working. Power saved, cost lower.
3. According to oil enhanced pressure theory, the machine acts quickly, and offers high working strength.
4. Adjusting work strength is very easy, only regulating air pressure.
5. This machine has firm structure, operating easily, putting and taking material onvenient.
6. Manifold functions, include inserting, holing, riveting, assembling, cutting and so on.
7. Efficiently 4 poles door opening design. And any special specifi cation can make to order.
8. Worktable recommended, size:L700\*D600\*H780(mm), and each foot has 4 moving wheels.
9. Operate introduction.

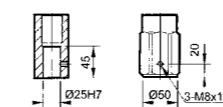


### Figure Dimension

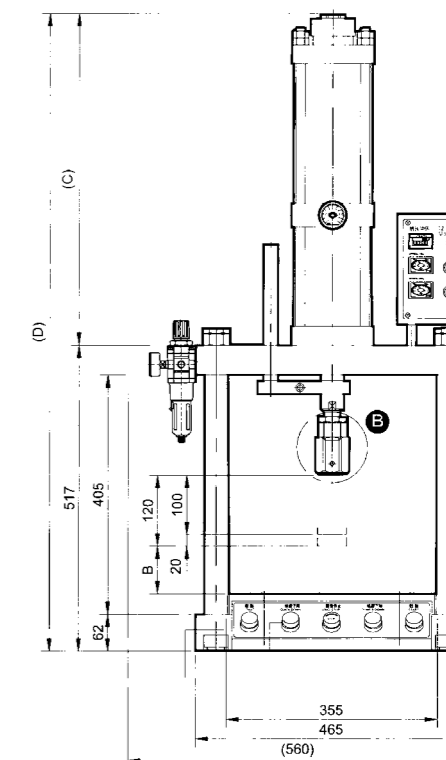
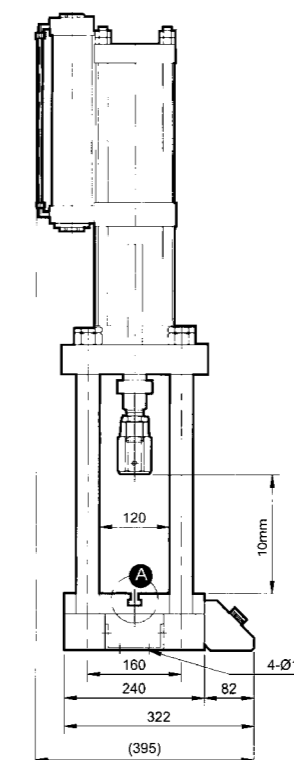
● TZ-03T  
TZ-05T



A part graphics, scale 5:1



B part graphics, scale 2:1



Type	TZ-03T	TZ-05T
Max working height (adjustable)	200mm	200mm
Quick stroke	50~100mm	50~100mm
Worktable area	240x350mm	240x350mm
Pressure add stroke	5~20mm	5~20mm
Frequency (stroke: 120mm)	about 20 times/minute	about 20 times/minute
Power	AC110/220V, 50/60Hz	
Operating pressure	0.5-0.7MPa	

Type	TZ-03T	TZ-05T
A	200	200
B	80	80
C	517	547
D	1034	1064
E	35	35